



## Features & Options

- User adjustable settings to maximize battery life while ensuring the BMS gets the info it needs
- Transmits to a receiver and output modules with multiple integration methods into the BMS

BAPI's Wireless Thermobuffer Sensor is designed for freezers and coolers. It measures the temperature and transmits the data via Bluetooth Low Energy to a receiver and output modules with multiple integration methods into the BMS.

It features a SS thermobuffer hanging bracket probe with an IP66-rated BAPI-Box enclosure and FEP-jacketed cable in 5 or 10 foot (1.5 to 3m) length.



## Specifications

**Battery Power:** Two included 3.6V 14505, 14500 or equivalent lithium batteries (Standard AA batteries are not compatible)

**Wire Power:** 9 to 30 VDC or 24 VAC, halfwave rectified

**Temperature Sensor Accuracy:** ±1.0°F (0.55°C) from 32 to 158°F (0 to 70°C)

**Temperature Range:** -4 to 221°F (-20 to 105°C)

**Transmission Distance:** Varies by application\*

**Environmental Operation Range:**  
Temp: -4 to 149°F (-20 to 65°C)  
Humidity: 10 to 90%RH, non-condensing

**Enclosure Rating:** IP66

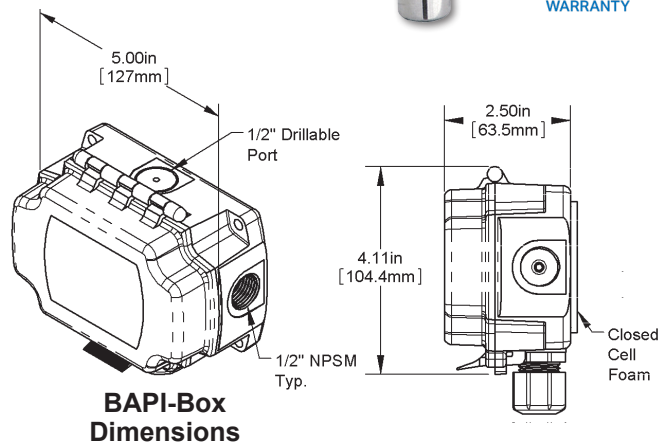
**Enclosure Material & Material Rating:** UV-Resistant Polycarbonate, UL94 V-0

**Frequency:** 2.4 GHz (Bluetooth Low Energy)

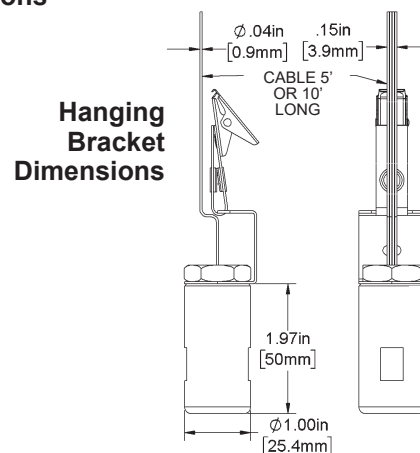
**Receiver Sensitivity:** -97 dBm

**User Adjustable Settings:**  
Delta T (Temp): 0.1°F/C to 5.0°F/C  
Transmit Interval: 1 min to 30 min  
Sample Interval: 30 sec to 5 min

**Agency:** RoHS | Contains FCC ID: QOQGM210P | IC: 5123A-GM210P



**BAPI-Box Dimensions**



**Hanging Bracket Dimensions**

\*In-building range is dependent on obstructions such as furniture and walls and the density of those materials. In wide open spaces, the distance may be greater; in dense spaces, the distance may be less.

\*\*Actual battery life is dependent on the sensor's adjustable settings and environmental conditions.

BAPI-Box Units Calculated Battery Life**		
Transmit Interval	Sample Rate	Estimated Life (years)
30 sec	30 sec	1.04
1 min	1 min	1.95
3 min	1 min	3.46
5 min	5 min	4.63
10 min	5 min	7.02





# Thermobuffer Temperature Sensor

F19

Wireless System

Submittal sheets without List Prices are available on our website at [www.bapihvac.com](http://www.bapihvac.com)

## Ordering Information

### BATTERY POWER UNITS

List Price

#### BA/WT-BLE-TB-M304-1-HB-5-BB-BAT

Wireless Thermobuffer Sensor, 1" (25mm) 304 SS Hanging Bracket w/ 5' (1.5m)  
FEP-Jacketed Cable, Battery Power ..... \$437

#### BA/WT-BLE-TB-M304-1-HB-10-BB-BAT

Wireless Thermobuffer Sensor, 1" (25mm) 304 SS Hanging Bracket w/ 10' (3m)  
FEP-Jacketed Cable, Battery Power ..... \$442

BA/LI14505: 3.6V Lithium Battery ..... \$3 (net price)

### WIRE POWER UNITS

#### BA/WT-BLE-TB-M304-1-HB-5-BB-PWR

Wireless Thermobuffer Sensor, 1" (25mm) 304 SS Hanging Bracket w/ 5' (1.5m)  
FEP-Jacketed Cable, Wire Power..... \$437

#### BA/WT-BLE-TB-M304-1-HB-10-BB-PWR

Wireless Thermobuffer Sensor, 1" (25mm) 304 SS Hanging Bracket w/ 10' (3m)  
FEP-Jacketed Cable, Wire Power..... \$442



## Associated Receiver and Output Modules

**RECEIVER** - Collects the data from up to 28 wireless sensors and transfers the data to the Analog or Digital Output Modules for integration into the BAS.

**DIGITAL AND ANALOG OUTPUT MODULES** - The BACnet IP Module converts the data from up to 28 sensors for integration into the management level BACnet IP network. The BACnet MS/TP or Modbus RTU Module converts the data from up to 28 sensors for integration into the field level BACnet or Modbus Network. The Analog Output Modules convert the sensor data to a voltage or resistance for the controller analog inputs.



## Wireless Site Verification App

BAPI recommends that all wireless customers conduct a site verification and send the information to BAPI prior to installing the system to ensure optimum performance. Our experts will review the data and follow up with an approval or recommendations if needed. A site verification app is available on the BAPI website at: <https://www.bapihvac.com/wireless-site-verification/>

