



Features & Options

- Rugged IP66/NEMA 4 enclosure with multiple cable lengths
- User adjustable settings to maximize battery life while ensuring the BMS gets the info it needs
- Transmits to a receiver and output modules with multiple integration methods into the BMS

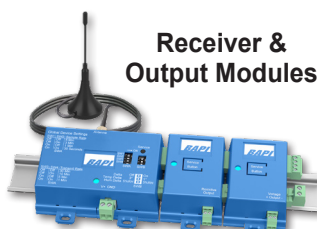
BAPI's Remote Probe Sensor measures the temperature and transmits the data via Bluetooth Low Energy to a receiver and output modules with multiple integration methods into the BMS. It features a 1.75" (44mm) long SS probe with plenum-rated or FEP-jacketed cable in lengths from 5 to 25 feet (1.5 to 7.6 meters).



Wireless Remote Probe Sensor

ASSOCIATED RECEIVER & OUTPUT MODULES

- **RECEIVER** - Collects the data from up to 28 sensors and transfers the data to the Output Modules.
- **OUTPUT MODULES** - Convert the data for integration into the BMS communication networks or the analog inputs of a controller.



Specifications

Battery Power:

Two included 3.6V 14505, 14500 or equivalent lithium batteries (Standard AA batteries are not compatible)

Wire Power: 9 to 30 VDC or 24 VAC, halfwave rectified

Temperature Sensor Accuracy:

±1.0°F (0.55°C) from 32 to 158°F (0 to 70°C)

Temperature Range: -4 to 221°F (-20 to 105°C)

Transmission Distance: Varies by application*

Environmental Operation Range:

Temp: -4 to 149°F (-20 to 65°C)

Humidity: 10 to 90%RH, non-condensing

Encl. Rating & Material: IP66, UV-Resistant Polycarb., UL94 V-0

Frequency: 2.4 GHz (Bluetooth Low Energy)

Receiver Sensitivity: -97 dBm

User Adjustable Settings:

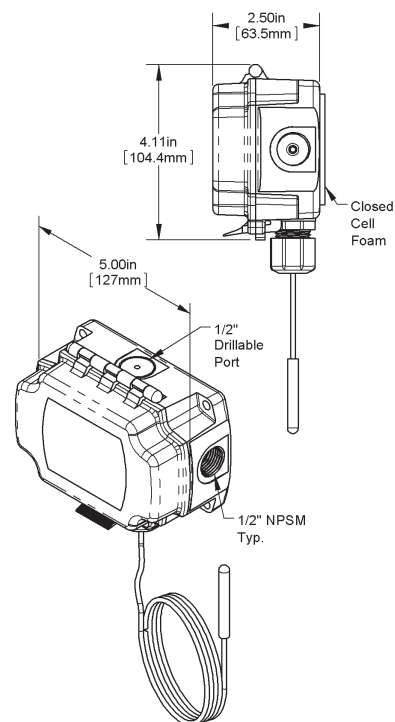
Delta T (Temp): 0.1°F/C to 5.0°F/C

Transmit Interval: 1 min to 30 min

Sample Interval: 30 sec to 5 min

Agency:

RoHS | Contains FCC ID: QOQGM210P | IC: 5123A-GM210P



*In-building range is dependent on obstructions such as furniture and walls and the density of those materials. In wide open spaces, the distance may be greater; in dense spaces, the distance may be less.

**Actual battery life is dependent on the sensor's adjustable settings and environmental conditions.

BAPI-Box Units Calculated Battery Life**		
Transmit Interval	Sample Rate	Estimated Life (years)
30 sec	30 sec	1.04
1 min	1 min	1.95
3 min	1 min	3.46
5 min	5 min	4.63
10 min	5 min	7.02



Ordering Information

BATTERY POWER UNITS

BA/WT-BLE-RPP-5-BB-BAT

Wireless Remote Sensor w/ Plenum-Rated Cable, 5' (1.5m) Length, Battery Power

BA/WT-BLE-RPP-10-BB-BAT

Wireless Remote Sensor w/ Plenum-Rated Cable, 10' (3.0m) Length, Battery Power

BA/WT-BLE-RPP-15-BB-BAT

Wireless Remote Sensor w/ Plenum-Rated Cable, 15' (4.6m) Length, Battery Power

BA/WT-BLE-RPP-20-BB-BAT

Wireless Remote Sensor w/ Plenum-Rated Cable, 20' (6.1m) Length, Battery Power

BA/WT-BLE-RPP-25-BB-BAT

Wireless Remote Sensor w/ Plenum-Rated Cable, 25' (7.6m) Length, Battery Power

BA/WT-BLE-RPFEP-5-BB-BAT

Wireless Remote Sensor w/ FEP-Jacketed Cable, 5' (1.5m) Length, Battery Power

BA/WT-BLE-RPFEP-10-BB-BAT

Wireless Remote Sensor w/ FEP-Jacketed Cable, 10' (3.0m) Length, Battery Power

BA/WT-BLE-RPFEP-15-BB-BAT

Wireless Remote Sensor w/ FEP-Jacketed Cable, 15' (4.6m) Length, Battery Power

BA/WT-BLE-RPFEP-20-BB-BAT

Wireless Remote Sensor w/ FEP-Jacketed Cable, 20' (6.1m) Length, Battery Power

BA/WT-BLE-RPFEP-25-BB-BAT

Wireless Remote Sensor w/ FEP-Jacketed Cable, 25' (7.6m) Length, Battery Power

BA/LI14505: 3.6V Lithium Battery

WIRE POWER UNITS

BA/WT-BLE-RPP-5-BB-PWR

Wireless Remote Sensor w/ Plenum-Rated Cable, 5' (1.5m) Length, Wire Power

BA/WT-BLE-RPP-10-BB-PWR

Wireless Remote Sensor w/ Plenum-Rated Cable, 10' (3.0m) Length, Wire Power

BA/WT-BLE-RPP-15-BB-PWR

Wireless Remote Sensor w/ Plenum-Rated Cable, 15' (4.6m) Length, Wire Power

BA/WT-BLE-RPP-20-BB-PWR

Wireless Remote Sensor w/ Plenum-Rated Cable, 20' (6.1m) Length, Wire Power

BA/WT-BLE-RPP-25-BB-PWR

Wireless Remote Sensor w/ Plenum-Rated Cable, 25' (7.6m) Length, Wire Power

BA/WT-BLE-RPFEP-5-BB-PWR

Wireless Remote Sensor w/ FEP-Jacketed Cable, 5' (1.5m) Length, Wire Power

BA/WT-BLE-RPFEP-10-BB-PWR

Wireless Remote Sensor w/ FEP-Jacketed Cable, 10' (3.0m) Length, Wire Power

BA/WT-BLE-RPFEP-15-BB-PWR

Wireless Remote Sensor w/ FEP-Jacketed Cable, 15' (4.6m) Length, Wire Power

BA/WT-BLE-RPFEP-20-BB-PWR

Wireless Remote Sensor w/ FEP-Jacketed Cable, 20' (6.1m) Length, Wire Power

BA/WT-BLE-RPFEP-25-BB-PWR

Wireless Remote Sensor w/ FEP-Jacketed Cable, 25' (7.6m) Length, Wire Power

