



## Features & Options

- Optional temperature setpoint and override
- User adjustable settings to maximize battery life while ensuring the BMS gets the info it needs
- Transmits to a receiver and output modules with multiple integration methods into the BMS

The BAPI-Stat "Quantum" Wireless Sensor measures the room temperature and humidity transmits the data via Bluetooth Low Energy to a receiver and output modules with multiple integration methods into the BMS.

It is available with optional temperature setpoint and occupancy override.



Units w/ optional Setpoint & Override  
(Right image shown with optional 60mm mounting base)



## Specifications

### Battery Power:

Two included 3.6V 14505, 14500 or equivalent lithium batteries (Standard AA batteries are not compatible)

**Wire Power:** 9 to 30 VDC or 24 VAC, halfwave rectified

### Sensor Accuracy:

Temp:  $\pm 1.7^{\circ}\text{F}$  ( $0.95^{\circ}\text{C}$ ) from 32 to 158°F (0 to 70°C)  
Humidity:  $\pm 2\% \text{RH}$  @ 77°F (25°C), 20 to 80%RH

**Temperature Range:** -4 to 221°F (-20 to 105°C)

**Transmission Distance:** Varies by application\*

### Environmental Operation Range:

Temp: -4 to 149°F (-20 to 65°C)  
Humidity: 10 to 90%RH non-condensing

**Enclosure Material & Rating:** ABS Plastic, UL94 V-0

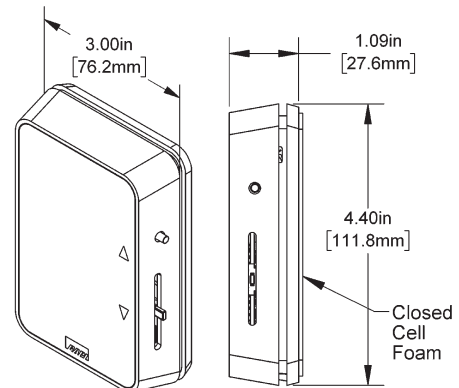
**Frequency:** 2.4 GHz (Bluetooth Low Energy)

**Receiver Sensitivity:** -97 dBm

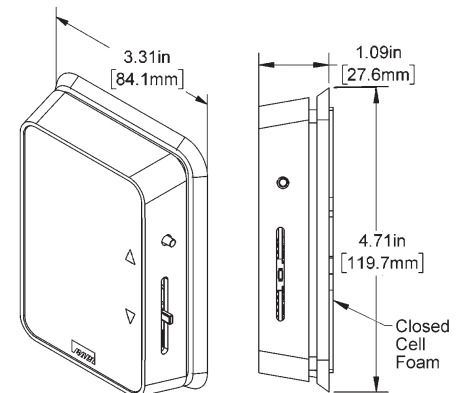
### User Adjustable Settings:

Delta T (Temp): 0.1°F/C to 5.0°F/C  
Delta T (Humidity): 0.1%RH to 5.0%RH  
Transmit Interval: 1 min to 30 min  
Sample Interval: 30 sec to 5 min

**Agency:** RoHS | Contains FCC ID: QOQGM210P |  
IC: 5123A-GM210P



Standard Mounting Base



60mm Mounting Base

(Fits European wall boxes and junction boxes with 60mm mounting centers)

\*In-building range is dependent on obstructions such as furniture and walls and the density of those materials. In wide open spaces, the distance may be greater; in dense spaces, the distance may be less.

\*\*Actual battery life is dependent on the sensor's adjustable settings and environmental conditions.

BAPI-Stat "Quantum" Units Calculated Battery Life**		
Transmit Interval	Sample Rate	Estimated Life (years)
30 sec	30 sec	1.12
1 min	1 min	1.89
3 min	1 min	3.83
5 min	5 min	7.08
10 min	5 min	8.93





# BAPI-Stat “Quantum” Temp/Humidity Sensor

F5

Wireless System

Submittal sheets without List Prices are available on our website at [www.bapihvac.com](http://www.bapihvac.com)

## Ordering Information

### BATTERY POWER UNITS WITH STANDARD MOUNTING BASE List Price

**BA/WTH-BLE-Q-BAT:** BAPI-Stat “Quantum” Temp/Humidity Sensor, Battery Power .....\$300

**BA/WTH-BLE-Q-S-BAT:** BAPI-Stat “Quantum” Temp/Humidity Sensor, Setpoint, Battery Power ...\$306

**BA/WTH-BLE-Q-SO-BAT:**

BAPI-Stat “Quantum” Temp/Humidity Sensor, Setpoint, Override, Battery Power .....\$311

### WIRE POWER UNITS WITH STANDARD MOUNTING BASE

**BA/WTH-BLE-Q-PWR:** BAPI-Stat “Quantum” Temp/Humidity Sensor, Wire Power.....\$300

**BA/WTH-BLE-Q-S-PWR:** BAPI-Stat “Quantum” Temp/Humidity Sensor, Setpoint, Wire Power.....\$306

**BA/WTH-BLE-Q-SO-PWR**

BAPI-Stat “Quantum” Temp/Humidity Sensor, Setpoint, Override, Wire Power .....\$311

### BATTERY POWER UNITS WITH 60MM MOUNTING BASE

**BA/WTH-BLE-Q60-BAT**

BAPI-Stat “Quantum” Temp/Humidity Sensor, Battery Power, 60mm Base .....\$300

**BA/WTH-BLE-Q60-S-BAT**

BAPI-Stat “Quantum” Temp/Humidity Sensor, Setpoint, Battery Power, 60mm Base .....\$306

**BA/WTH-BLE-Q60-SO-BAT**

BAPI-Stat “Quantum” Temp/Hum Sensor, Setpoint, Override, Battery Power, 60mm Base .....\$311

**BA/LI14505:** 3.6V Lithium Battery ..... \$3 (net price)

### WIRE POWER UNITS WITH 60MM MOUNTING BASE

**BA/WTH-BLE-Q60-PWR**

BAPI-Stat “Quantum” Temp/Humidity Sensor, Wire Power, 60mm Base .....\$300

**BA/WTH-BLE-Q60-S-PWR**

BAPI-Stat “Quantum” Temp/Humidity Sensor, Setpoint, Wire Power, 60mm Base .....\$306

**BA/WTH-BLE-Q60-SO-PWR**

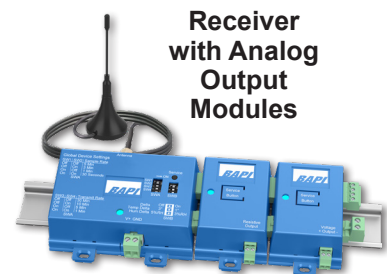
BAPI-Stat “Quantum” Temp/Hum Sensor, Setpoint, Override, Wire Power, 60mm Base .....\$311



## Associated Receiver and Output Modules

**RECEIVER** - Collects the data from up to 28 wireless sensors and transfers the data to the Analog or Digital Output Modules for integration into the BAS.

**DIGITAL AND ANALOG OUTPUT MODULES** - The BACnet IP Module converts the data from up to 28 sensors for integration into the management level BACnet IP network. The BACnet MS/TP or Modbus RTU Module converts the data from up to 28 sensors for integration into the field level BACnet or Modbus Network. The Analog Output Modules convert the sensor data to a voltage or resistance for the controller analog inputs.



Receiver with Analog Output Modules

## Wireless Site Verification App

BAPI recommends that all wireless customers conduct a site verification and send the information to BAPI prior to installing the system to ensure optimum performance. Our experts will review the data and follow up with an approval or recommendations if needed. A site verification app is available on the BAPI website at:

<https://www.bapihvac.com/wireless-site-verification/>

