



## Features & Options

- Built in or remote temperature sensor
- User adjustable settings to maximize battery life while ensuring the BMS gets the info it needs
- Transmits to a receiver and output modules with multiple integration methods into the BMS

The BAPI-Stat "Quantum Slim" Wireless Sensor measures the temperature and transmits the data via Bluetooth Low Energy to a receiver and output modules with multiple integration methods into the BMS. It is designed to monitor temperature inside refrigerator and freezer cases. The unit mounts on the outside of freezers and can be mounted either inside or outside of refrigerators. It is available with an internal or an external sensor.

The external sensor's cable fits between the door seal or through a hole without affecting appliance efficiency.



## Specifications

**Battery Power:** One included 3.6V 14505, 14500 or equivalent lithium battery  
(Note: Standard AA batteries are not compatible)

**Temperature Sensor Accuracy:**  
±1.25°F (0.7°C) from 32 to 158°F (0 to 70°C)

**Temperature Range:** -4 to 221°F (-20 to 105°C)

**Transmission Distance:** Varies by application\*

**Environmental Operation Range:**

Temp: -4 to 149°F (-20 to 65°C)  
Humidity: 10 to 90% RH, non-condensing

**Enclosure Material & Rating:** ABS Plastic, UL94 V-0

**Frequency:** 2.4 GHz (Bluetooth Low Energy)

**Receiver Sensitivity:** -97 dBm

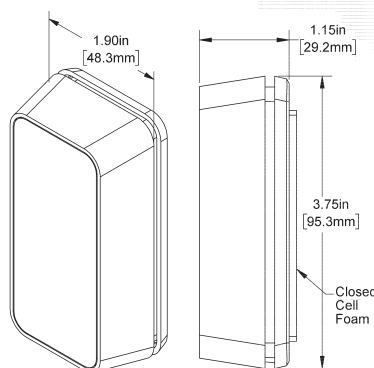
**Ext. Probe Material:** 304 Stainless Steel  
1.75" (44mm) Bullet Probe with FEP Cable  
1" (25mm) Thermobuffer with FEP Cable

**User Adjustable Settings:**

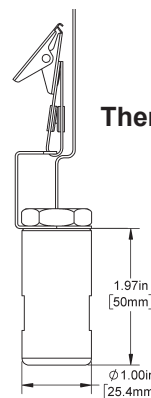
Delta T (Temp): 0.1°F/C to 5.0°F/C  
Transmit Interval: 1 min to 30 min  
Sample Interval: 30 sec to 5 min

**Agency:** Contains FCC ID: QOQGM210P |  
IC: 5123A-GM210P / RoHS

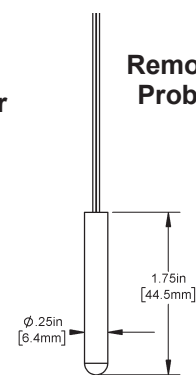
BAPI-Stat  
"Quantum  
Slim"



Thermobuffer



Remote  
Probe



\*In-building range is dependent on obstructions such as furniture and walls and the density of those materials. In wide open spaces, the distance may be greater; in dense spaces, the distance may be less.

\*\*Actual battery life is dependent on the sensor's adjustable settings and environmental conditions.

BAPI-Stat "Quantum-Slim" Calculated Battery Life**		
Transmit Interval	Sample Rate	Estimated Life (years)
30 sec	30 sec	0.58
1 min	1 min	1.04
3 min	1 min	2.03
5 min	5 min	3.02
10 min	5 min	4.01





# BAPI-Stat "Quantum Slim" Temp Sensor

Wireless System

Submittal sheets without List Prices are available on our website at [www.bapihvac.com](http://www.bapihvac.com)

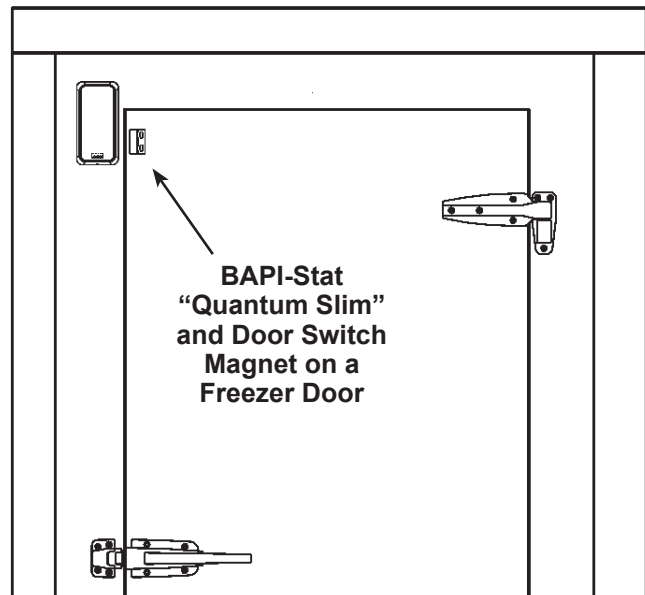
## Ordering Information

	<u>List Price</u>
<b>BA/WT-BLE-QS-B-IS-BAT</b> Black Wireless BAPI-Stat "Quantum Slim", Internal Temp Sensor, Battery Power .....	\$274
<b>BA/WT-BLE-QS-B-RPFEP5-BAT</b> Black Wireless BAPI-Stat "Quantum Slim", Remote Probe & 5' (1.5m) FEP Cable, Battery Power .....	\$297
<b>BA/WT-BLE-QS-B-X-BAT</b> Black Wireless BAPI-Stat "Quantum Slim" without Sensor (sensor is ordered separately), Battery Power....	\$274
<b>BA/WT-BLE-QS-B-TB-HB-FEP5-BAT</b> Black Wireless "Quantum Slim", 1" (25mm) Hanging Thermobuffer & 5' (1.5m) FEP Cable, Battery Power....	\$384
<b>BA/WT-BLE-QS-W-IS-BAT</b> White Wireless BAPI-Stat "Quantum Slim", Internal Temp Sensor, Battery Power .....	\$269
<b>BA/WT-BLE-QS-W-RPFEP5-BAT</b> White Wireless BAPI-Stat "Quantum Slim", Remote Probe & 5' (1.5m) FEP Cable, Battery Power .....	\$292
<b>BA/WT-BLE-QS-W-X-BAT</b> White Wireless BAPI-Stat "Quantum Slim" without Sensor (sensor is ordered separately), Battery Power....	\$269
<b>BA/WT-BLE-QS-W-TB-HB-FEP5-BAT</b> White Wireless "Quantum Slim", 1" (25mm) Hanging Thermobuffer & 5' (1.5m) FEP Cable, Battery Power ...	\$379
<b>BA/LI14505:</b> 3.6V Lithium Battery .....	\$3 (net price)

## Door Switch Magnet Accessory

The Door Switch Magnet works with BAPI's Wireless "Quantum Slim" sensor to monitor the status of doors, including refrigerators, freezers, outside doors and garbage gates. The pickup for the Door Switch Magnet is already mounted inside all of the BAPI-Stat "Quantum Slim" units.

The magnet works with all "Quantum Slim" units including those with a remote probe or thermobuffer.



<u>Part #</u>	<u>Description</u>	<u>List Price</u>
<b>BA/DSM</b> ....	Door Switch Magnet .....	\$8

Note: Use only the BAPI Door Switch Magnet. Other magnets may damage the sensor or affect the accuracy of the sensor.

## Associated Receiver and Output Modules

- **RECEIVER** - Collects the data from up to 28 wireless sensors and transfers the data to the Analog Output Modules.
- **OUTPUT MODULES** - Convert the data for integration into the management level BACnet IP network, the BACnet MS/TP or Modbus RTU field level network or the analog inputs of a controller.

