



BACnet MS/TP or Modbus RTU Module

F35

Rev. 08/28/25

Wireless System

Overview

The BACnet MS/TP or Modbus RTU output module converts the data from up to 28 wireless sensors for integration into the field communication network.

The field-selectable BACnet MS/TP or Modbus RTU output lets customers choose the best protocol for their system without the need for multiple devices. This makes the module perfect for retrofitting older systems or adding new ones.

The module receives the data and power from the receiver through a four-wire bus. The module may also be powered separately using a BAPI Pluggable Terminal Block Kit and a VC350A-EZ power supply.

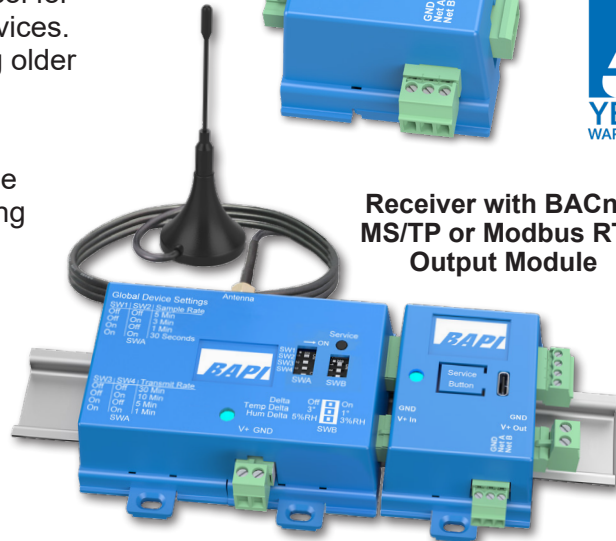
Configuration is quick and easy with the USB-C port and a computer running the downloadable application.

The receiver and module are surface, 2.75" snaptrack or 35mm DIN rail mountable.

BACnet MS/TP or Modbus RTU Output Module



Receiver with BACnet MS/TP or Modbus RTU Output Module



ORDERING INFO:

List Price

BA/DOM-BLE-EZ: Field Selectable BACnet MS/TP or Modbus RTU Output Module \$285

Submittal sheets without List Prices are available on our website at www.bapihvac.com



Specifications

Supply Power: 15 to 24 VDC (from half wave rectified supply)

Power Consumption: 40 mA max @ 24 VDC

Lost Comm. Timeout: 35 minutes

Physical Layer:

RS-485

Bus Cable Distance:

4,000 feet (1,200 meters)

Environmental Operation Range:

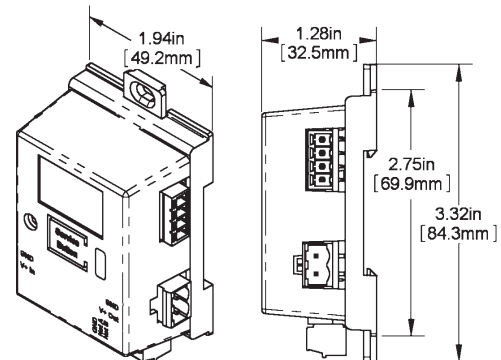
Temp: 32 to 140°F (0 to 60°C)

Humidity: 5 to 95% RH non-condensing

Enclosure Material & Rating:

ABS Plastic, UL94 V-0 (Indoor use only)

Agency: RoHS (CE pending)



Wireless Site Verification App

BAPI recommends that all wireless customers conduct a site verification and send the information to BAPI prior to installing the system to ensure optimum performance. A site verification app is available on the BAPI website at: <https://www.bapihvac.com/wireless-site-verification/>



Building Automation Products, Inc. • 750 North Royal Avenue, Gays Mills, WI 54631 USA
Tel: +1-608-735-4800 • Fax: +1-608-735-4804 • Email: sales@bapihvac.com • Web: www.bapihvac.com