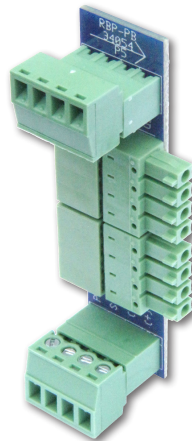




Overview

The Repeater Backplane Power Bridge (RBP-PB) is used between Communication Repeater Backplanes (RBP4, RBP8) to bridge the power but break the RS-485 communications between the backplanes. The Power Bridge snaps into the same snaptrack as the Backplanes it bridges.

This allows simplified power wiring of a multi-protocol communications hub such as the BACnet and Modbus. The upper communications plug connects to the bus on the right; the lower plug connects to the bus on the left.

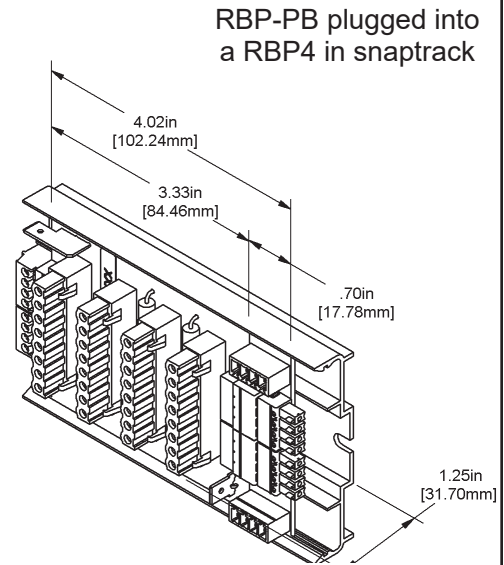


**RBP-PB
Power Bridge**

Part #	Description
---------------	--------------------

BA/RBP-PB ...	Repeater Backplane Power Bridge
---------------	---------------------------------

Specifications



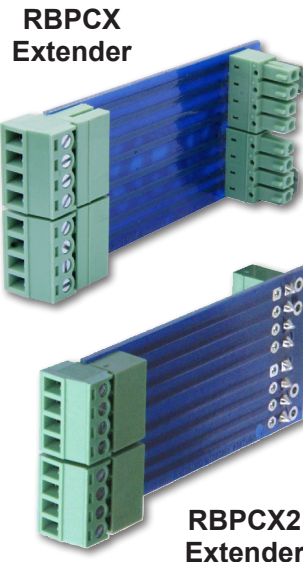
Power Voltage: 12 VDC
Power Current: 4 Amp Maximum

RBPCX, RBPCX2 - Connector Extenders

Overview

In some congested panels it is difficult to reach the connectors on the ends of the RBP - Repeater Backplanes.

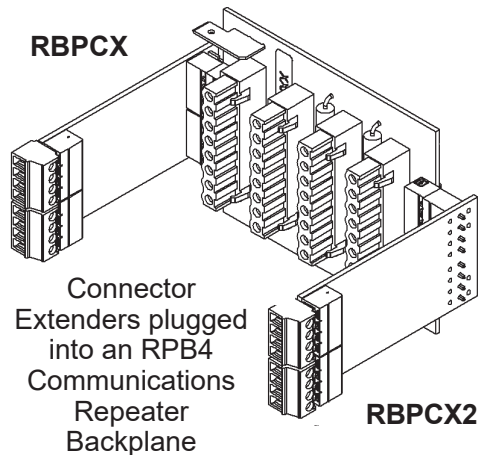
The RBPCX and RBPCX2 - Repeater Backplane Connector Extenders bring the connectors out from deep in the panel to be level with the front edge of comm. modules that are plugged into the Repeater Backplane where they are easy to access.



**RBPCX
Extender**

**RBPCX2
Extender**

Specifications



Power Voltage: 12 VDC
Power Current: 4 Amp Maximum

Part #	Description
---------------	--------------------

BA/RBPCX	Left Side Repeater Backplane Extender
BA/RBPCX2 ..	Right Side Repeater Backplane Extender

