



Features & Options

- Field Selectable Particulate Size of PM1.0, PM2.5 and PM10
- Field Selectable Outputs of 0 to 5V, 0 to 10V and 4 to 20mA
- Laser-based, light scattering particle sensing with 10 year expected lifetime.

The BAPI-Stat “Quantum” Particulate Sensor is an accurate and reliable way of continuously monitoring the concentration of particles in a room. Laser-based sensors provide the highest accuracy for commercial applications and will measure particle concentrations from 0 to 1,000 µg/m³. A 60mm mounting base is available to fit European style junction boxes.



BAPI-Stat “Quantum” Particulate Sensors
(Right unit shown with 60mm mounting base)



ORDERING INFORMATION

List Price

BA/CQXParticulate Sensor, Standard Mounting Base.....	\$475
BA/CQX60Particulate Sensor, 60mm Mounting Base	\$475

Submittal sheets without List Prices are available on our website at www.bapihvac.com

Specifications

Power: (Half-wave rectified)
7 to 40 VDC (4 to 20mA Output)
7 to 40 VDC or 12 to 28 VAC (0 to 5 VDC Output)
15 to 40 VDC or 15 to 28 VAC (0 to 10 VDC Output)

Power Consumption:
75 mA Max @ 24 VDC • 3 VA Max @ 24 VAC

Load Resistance: VDC Output 4K Ohms Min

Sensing Element: Laser-based, Light Scattering

Sensor Element Life: 10 Years Typical

Concentration Range: 0 to 1,000 µg/m³

Accuracy at 77°F (25°C):

	0 to 100 µg/m ³	100 to 1,000 µg/m ³
PM1.0	±25 µg/m ³	±25% of reading
PM2.5	±15 µg/m ³	±15% of reading
PM10	±25 µg/m ³	±25% of reading

Response Time: <6 Seconds

Wiring: 3 Wires, 16 to 22 AWG

Environmental Operating Range:

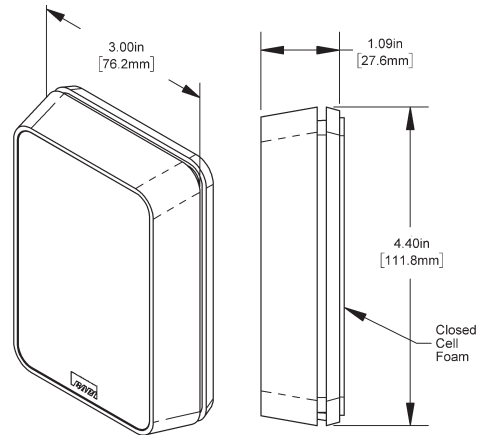
-4 to 158°F (-20 to 70°C)
0 to 95%RH Non-condensing

Enclosure Material: ABS Plastic, UL94 V-0

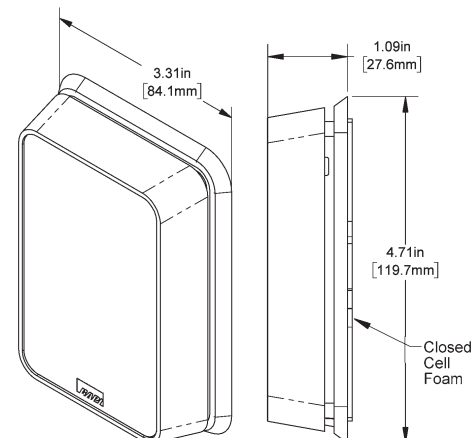
Mounting:

Standard 2"x4" Junction Box, European Junction Box or Drywall Mount (screws provided)

Agency: CE EN 61326-1:2013 EMC, UL94 V-0, RoHS



Unit with Standard Mounting Base



Unit with 60mm Mounting Base

