

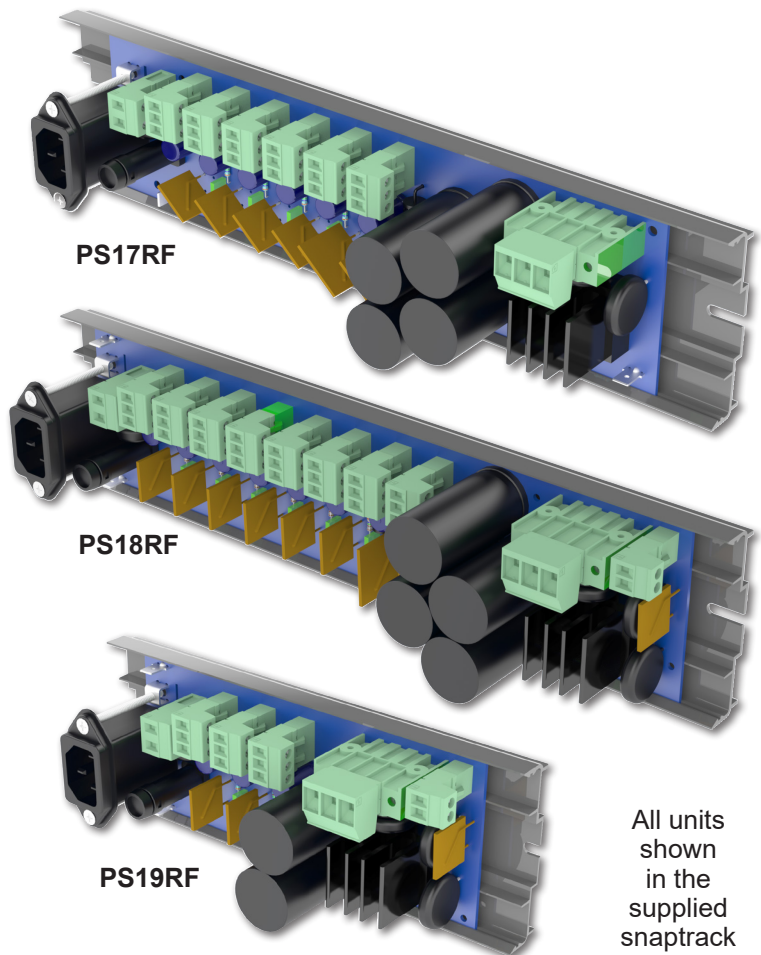


## Overview

The PS17RF, PS18RF and PS19RF Power Supplies provide multiple 33 VDC\* outputs with over-current protection to operate any of BAPI's ETA modules except the RS-485 communication modules. All power supplies are furnished with standard 2.75" snaptrack and include a green LED to indicate when power is supplied to the unit.

The power supplies use a customer-supplied 24 VAC\* transformer with a rating of 200 to 600 VA depending upon current consumption (See Transformer Specs). Pluggable screw terminals allow easy termination of the transformer.

All three units provide a transient line filter for the line voltage input to the transformer. Plug a standard computer power cord into a duplex outlet and then into the line filter to power the units.



All units shown in the supplied snaptrack

<b>Part Number</b>	<b>Description</b>	<b>List Price</b>
<b>BA/PS17RF</b> .....	6 Output Unit with Self-Resetting Fuses.....	\$303
<b>BA/PS18RF</b> .....	8 Output Unit with Self-Resetting Fuses.....	\$413
<b>BA/PS19RF</b> .....	3 Output Unit with Self-Resetting Fuses.....	\$265

Submittal datasheets without List Prices are available on our website at [www.bapihvac.com](http://www.bapihvac.com)

## Specifications

### Input Power

120 to 240 VAC; Amps depend on transformer selected. Standard IEC 320 Line Filter

### Output Voltage

Nominal 33 VDC\* (using 24 VAC transformer)

### PS17RF Outputs (Nominally-Rated)

Six Outputs: Four at 2.5 Amps, two at 3.75 Amps

### PS18RF Outputs (Nominally-Rated)

8 Outputs: Six at 2.5 Amps, two at 3.75 Amps

### PS19RF Outputs (Nominally-Rated)

3 Outputs: Two at 2.5 Amps, one at 3.75 Amps

## Customer Supplied Transformer Specs

<u>Unit Model</u>	<u>Transformer Power</u>
PS19RF .....	Nominal 200 VA
PS17RF .....	Nominal 400 VA
PS18RF .....	Nominal 600 VA

\*The VDC output voltage from the unit is dependent on the VAC input voltage. Generally the output will equal 1.4 times the input.

9 VAC input = 12 VDC output

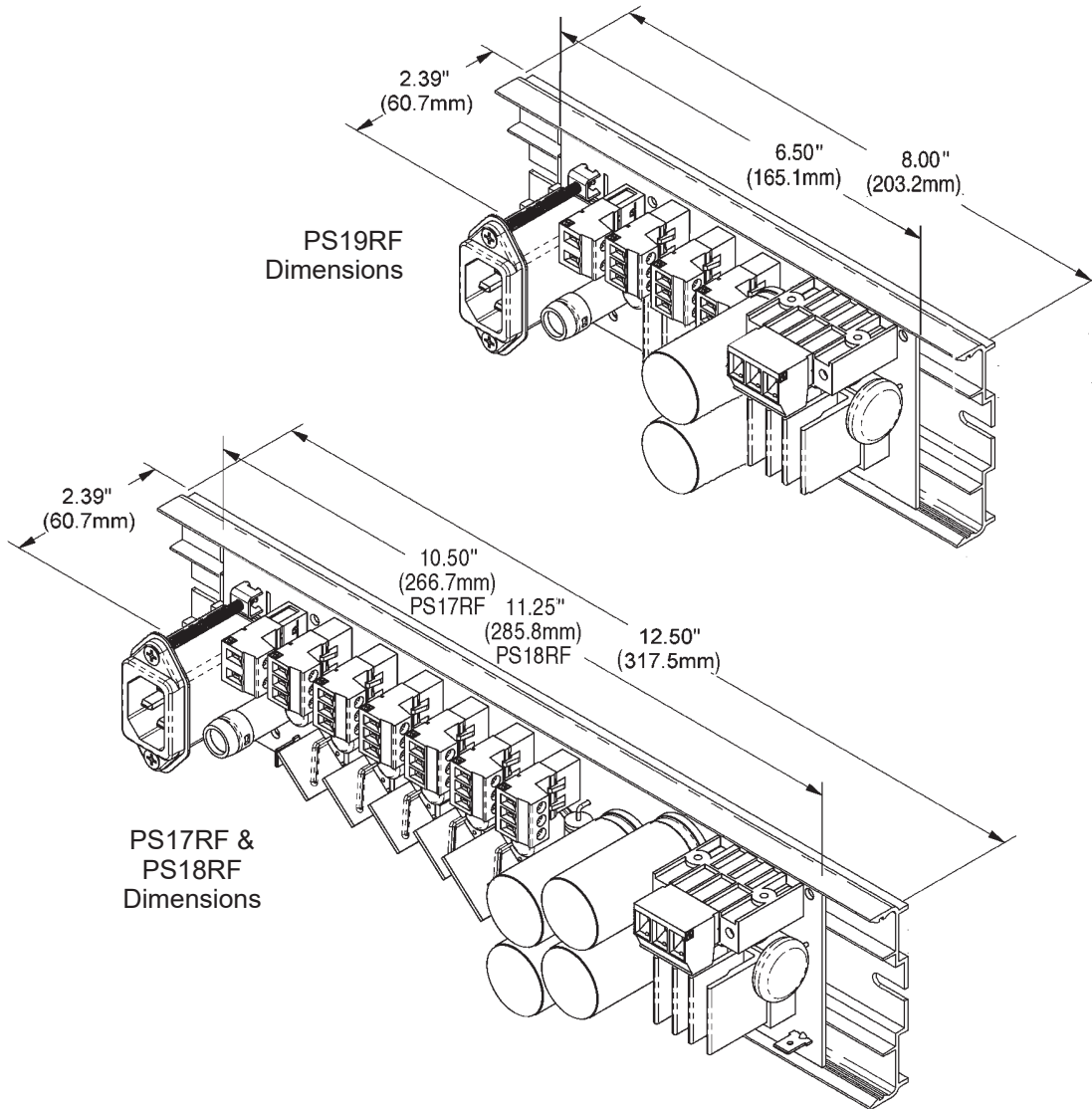
18 VAC input = 24 VDC output

20 VAC input = 28 VDC output

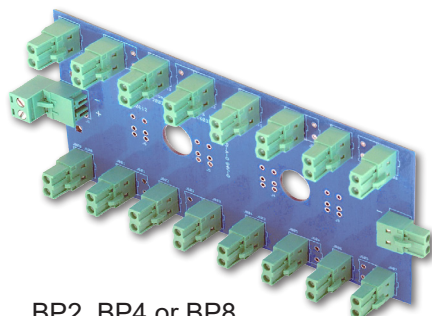
24 VAC input = 33 VDC output



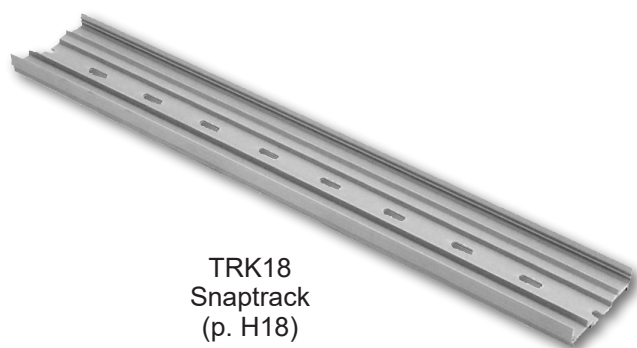
## Dimensions



## Associated Products



BP2, BP4 or BP8 Backplane (p. H16)



TRK18 Snaptrack (p. H18)