



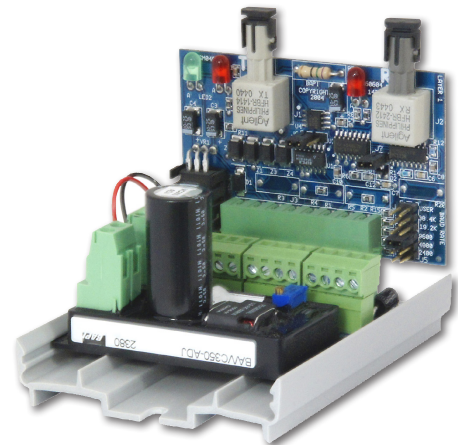
## Overview

BAPI recommends fiber optic cable for HVAC communications networks that travel between buildings.

The FOX Communication Kit provides all the functions for one fiber optic and remote RS-485 network, plus it comes in a self-contained, easy-to-apply and cost effective assembly. The kit also aids in troubleshooting because LEDs indicate when power is applied and communications are present.

The FOX Communications Kit includes:

- One Fiber Optic Transceiver (FOX) module which converts RS-485 data to a fiber optic signal or converts a fiber optic signal to RS-485 data;
- A 350 mA voltage converter (VC350) to provide the higher current necessary for flawless communications;
- A Single Repeater Back Plane (SRBP) to mount the FOX module and provide pluggable connectors for power and three RS-485 cables;
- A four inch long piece of 2.75" snaptrack to easily mount the entire assembly.



**FOX Communication Kit**  
(includes one Fiber Optic Transceiver Module, a 350 mA voltage converter, a Single Repeater Backplane and a 4" piece of 2.75" snaptrack)

### Part Number      Description

<b>BA/FOX-KIT</b> .....	FOX Communication Kit (see page G25) <i>Kit includes one Fiber Optic Transceiver (FOX) Module, a 350 mA voltage converter (VC350A), a Single Repeater Backplane (SRBP) and a 4" piece of 2.75" snaptrack</i>
-------------------------	---

## Specifications

**Input Voltage:** 18 to 30 VAC, 15 to 28 VDC

**Input Current Max:** 760mA (18.25 VA)

**Environmental operation Range:**

0 to 50°C (32 to 122°F)

0 to 95 %RH Non-Condensing

**Rectification:** Half-Wave Rectified

**Grounding:** AC and DC Ground are common

**Communication Rates:**

2.4K, 4.8K, 9.6K, 19.2K and 33.4K Baud

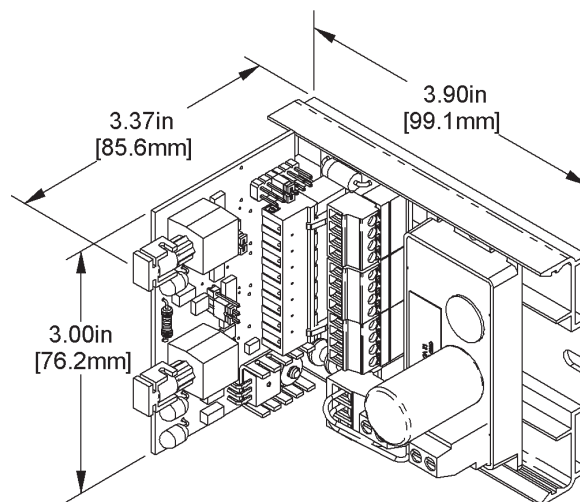
**Network Load:** 1 unit load (RS-485 side)

**Optical Network Length:**

10,500 Ft (3,200 meters)

(Maximum attenuation of 4db/Km)

**RS-485 Network Length:** 4,000ft (1.2Km)



**FOX Communication Kit**

