



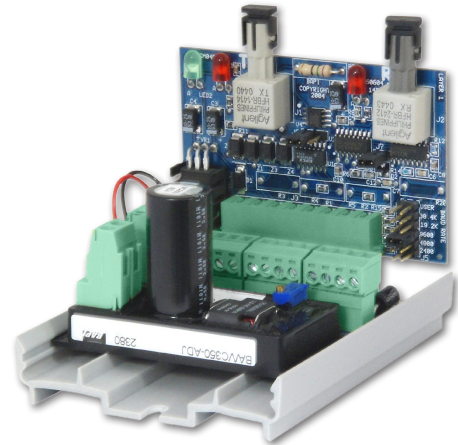
Overview

BAPI recommends fiber optic cable for HVAC communications networks that travel between buildings.

The FOX Communication Kit provides all the functions for one fiber optic and remote RS-485 network, plus it comes in a self-contained, easy-to-apply and cost effective assembly. The kit also aids in troubleshooting because LEDs indicate when power is applied and communications are present.

The FOX Communications Kit includes:

- One Fiber Optic Transceiver (FOX) module which converts RS-485 data to a fiber optic signal or converts a fiber optic signal to RS-485 data;
- A 350 mA voltage converter (VC350) to provide the higher current necessary for flawless communications;
- A Single Repeater Back Plane (SRBP) to mount the FOX module and provide pluggable connectors for power and three RS-485 cables;
- A four inch long piece of 2.75" snaptrack to easily mount the entire assembly.



FOX Communication Kit
(includes one Fiber Optic Transceiver Module, a 350 mA voltage converter, a Single Repeater Backplane and a 4" piece of 2.75" snaptrack)

Part Number	Description	List Price
BA/FOX-KIT	FOX Communication Kit (see page G25)	\$891
	<i>Kit includes one Fiber Optic Transceiver (FOX) Module, a 350 mA voltage converter (VC350A), a Single Repeater Backplane (SRBP) and a 4" piece of 2.75" snaptrack</i>	

Submittal datasheets without List Prices are available on our website at www.bapihvac.com

Specifications

Input Voltage: 18 to 30 VAC, 15 to 28 VDC

Input Current Max: 760mA (18.25 VA)

Environmental operation Range:
0 to 50°C (32 to 122°F)
0 to 95 %RH Non-Condensing

Rectification: Half-Wave Rectified

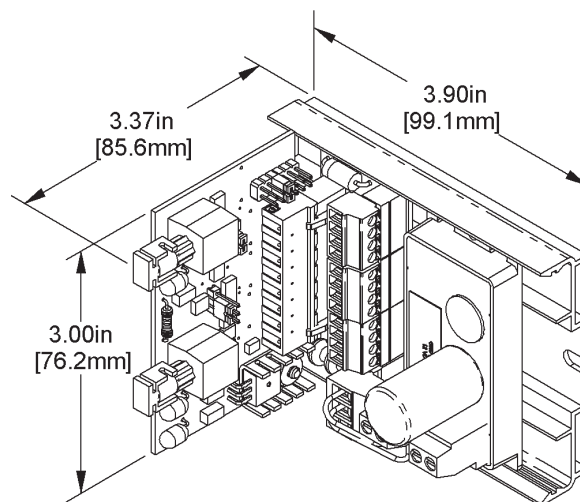
Grounding: AC and DC Ground are common

Communication Rates:
2.4K, 4.8K, 9.6K, 19.2K and 33.4K Baud

Network Load: 1 unit load (RS-485 side)

Optical Network Length:
10,500 Ft (3,200 meters)
(Maximum attenuation of 4db/Km)

RS-485 Network Length: 4,000ft (1.2Km)



FOX Communication Kit

