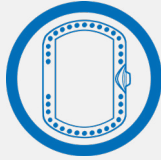


BUILDING AUTOMATION PRODUCTS INC.



PRODUCT LINE



TEST INSTRUMENTS

TEMPERATURE

HUMIDITY

PRESSURE

AIR QUALITY

ACCESSORIES



Changing the way you think about sensors...



BAPI headquarters in Gays Mills, Wisconsin, U.S.A.

THE BAPI DIFFERENCE



**LIFETIME
LIMITED
WARRANTY**

5-year Warranty Across Most Products

Our products are designed and manufactured to last. We back up that claim by offering a 5-year warranty across most of our products. A lifetime limited warranty is also available on many of our single point, room and non-room temperature sensors.*



BAPI UK office and warehouse in Aldershot, United Kingdom

About Us

Building Automation Products, Inc. (BAPI) is a premier sensor manufacturer for the HVAC/R industry specializing in test instruments and sensors for temperature, humidity, pressure, air quality and related accessories. Originating in Cross Plains, WI in 1993, BAPI's first facility was a small two-car garage. Today, BAPI serves customers around the globe from its 50,000 square foot facility based in rural southwestern Wisconsin.

...it's in the details

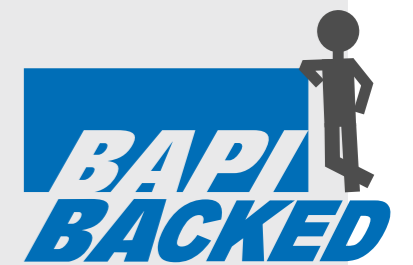
BAPI continues the "...it's in the details" tradition by using the highest quality sensing elements paired with state-of-the-art manufacturing, meticulous testing and quality assurance to ensure a reliable product time after time. Since 1993, BAPI has forged a place in the industry by combining its expertise with customer feedback to find innovative ways to use advanced sensor technology on HVAC/R applications.

Global Support

To support our customers in the UK and Europe, in 2017, BAPI opened a European Distribution Centre located in Aldershot, Hampshire. From this facility we are able to provide product assembly, product training, technical support and after sales support. BAPI UK holds a wide variety of products in stock allowing for next day delivery. In addition we also have offices for sales and distribution located in Central Europe. Munster, Germany provides sales support and now there is a distribution center in the Netherlands.

BAPI-Backed Product Credit

Most sensor manufacturers will replace their defective products, but only BAPI has the confidence to go beyond the industry standard. BAPI-Backed means we stand behind everything we do. We are so confident in the quality of our products that if one fails within the warranty period, we will not only repair or replace it, but we'll provide a product credit to offset your incurred cost.*



0%
**RESTOCK FEE
FOR 30 DAYS**

0% Restock Fee on All Stock Products Within 30 days

New and unused received products that do not require repackaging or relabeling will not be charged for restocking if returned within 30 days.



On-Site, Multi-Step Testing

Every product goes through testing at each step of the process to ensure quality.



Computer Aided Workstations

All of our workstations include a computer terminal to ensure build prints and process instructions are up to date.


BAPI Original

BAPI Originals are unique products inspired by quality vendors, talented employees and valuable customers. These three ingredients combined create industry leading, original solutions. Products that bear the "Another Original" stamp were designed by BAPI with quality components and driven by customer feedback to solve common HVAC/R problems.



*Terms and conditions apply, see www.bapihvac.co.uk for details.

TABLE OF CONTENTS

 **TEST INSTRUMENTS** Page 5
Temperature • Temperature/Humidity • Pressure Test Instruments

 **TEMPERATURE SENSORS** Page 8
Room • Button • Duct • Averaging • Immersion • Thermowells • Clamp-On • Outside Air • Remote • Concave • Thermobuffers • Test & Balance

 **HUMIDITY SENSORS** Page 27
Room • Outside Air • Duct

 **PRESSURE SENSORS** Page 33
EZ Pressure • ZPM Multi-Sensor • Pressure Pickup Ports • Pressure Switch

 **AIR QUALITY SENSORS** Page 41
VOC • CO₂ • CO • NO₂ • Particulate Matter • Refrigerant Leak

 **ACCESSORIES & SPECIALTY SENSORS** Page 57
Power Supplies • Voltage Converters • Water Leak • BAPI-Guard • Light Level • Weather Shade

 **SPECIFICATIONS** Page 70
Thermistor • RTD • Transmitters • Pressure • Enclosures

TEST INSTRUMENTS



Blü-Test

Wireless Test Instrument Suite

- NIST traceable test instruments for temperature, humidity and differential pressure
- Data logging with smart device communication
- Handheld Bluetooth probes with local OLED display

Blü-Test is a suite of handheld testing probes that interface via Bluetooth LE to the user's enabled Android or iOS smart device through the Blü-Test app available on Google Play™ or the App Store®. Each probe comes with a National Institute of Standards and Technology (NIST) traceable certificate of calibration.

Blü-Test is simple to use. Just open the app on your smart device and touch-select the probe to sync Bluetooth communication. Multiple points can be logged, graphed or emailed. The logs are saved on the probe and the app. Measurements are also shown on the handheld probe's local OLED display for convenience.

Blü-Test can take readings and store the data in its internal memory when the smart phone or tablet is out of range. The data can then be downloaded to the app when the phone or tablet is back in range.

ANOTHER ORIGINAL



5
YEAR
WARRANTY

SPECIFICATIONS

POWER:

3.7V, 2,600 mAh Rechargeable Battery

PROBE ENVIRONMENTAL RANGE:

Temperature Probe: -40 to 85°C

Base Unit: -30 to 70°C

%RH Probe: 5 to 95% Non-condensing

Differential Pressure Probe: -20 to 70°C

PROBE MEASUREMENT RANGE:

Temperature: -40 to 85°C

%RH: 5 to 95% Non-condensing

Differential Pressure Probe (Low): -250 to 250 Pa

Differential Pressure Probe (Std.): -1,250 to 1,250 Pa

DATA TRANSFER:

Updates to display every 10 sec

FCC ID:

2AA9B04

ACCURACY:

Temperature Only Probe: ± 0.1°C @ -25 to 75°C

Temperature and Humidity Probe:

Temperature:

± 0.2°C @ 25°C

Relative Humidity:

± 1%RH @ 25°C from 10 to 85%RH

Differential Pressure:

Low Range:

± 0.25% of FS Span, -250 to +250 Pa @ 25°C

Standard Range:

± 0.25% of FS Span, -1,250 to +1,250 Pa @ 25°C

BURST PRESSURE:

Low Range 415" WC (103kPa) • Standard Range 124kPa

COMMUNICATION:

Bluetooth® LE, Class 2 v4.2

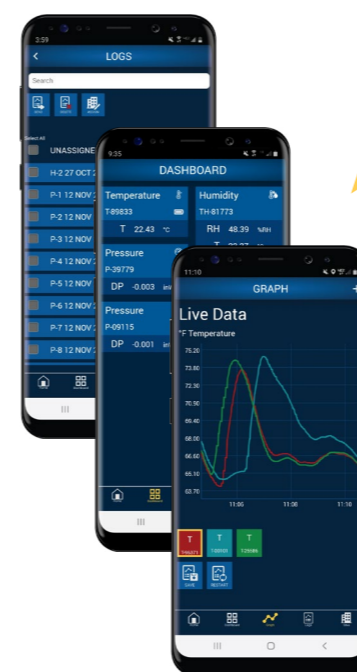
ORDERING

PART NUMBER:	DESCRIPTION:	PRICE:
BA/BT-TP-EU	Blü-Test Temperature Probe, 100mm Probe Length, 3.175mm dia. with Piercing Tip	€ 517.20
BA/BT-TA-EU	Blü-Test Temperature Probe, 150mm Probe Length, 5.5mm dia. with Rounded Tip	€ 517.20
BA/BT-TB-EU	Blü-Test Temperature Probe, 240mm Probe Length, 5.5mm dia. with Rounded Tip	€ 517.20
BA/BT-TH-EU	Blü-Test Temperature & Humidity Probe, 200mm Probe Length, 9.5mm dia.	€ 581.85
BA/BT-DPLR-EU	Blü-Test Differential Pressure, Low Range	€ 689.60
BA/BT-DPSR-EU	Blü-Test Differential Pressure, Standard Range	€ 689.60
BA/BT-HVAC-KIT-EU	All probes listed above in a carrying case	€ 3,512.65
BA/BT-HVAC-CASE	Carrying case for Blü-Test probes, holds up to six probes	€ 107.75

Blü-Test Wireless Test Instruments



NIST traceable test instruments for temperature, relative humidity, and differential pressure. Data-logging with wireless smart device communication.



Blü-Test App

Blü-Test App - to monitor and manage probes: including data logging or viewing live data.



Each probe stores up to a MILLION readings!

Test data is available immediately on the probe's display or sent to the smart device and app for trending and sharing. Data points can be logged, graphed, or emailed. Each probe comes with a National Institute of Standards and Technology (NIST) traceable certificate of calibration.



TEMPERATURE



SAVE TIME AND MONEY

Choose BAPI's Test and Balance Switch when ordering your next sensor!

BAPI's Test and Balance switch saves time and money on installation, commissioning and maintenance.

BAPI's test and balance switch lets you easily verify a sensor's location and operation within the BMS without having to physically access the probe, saving time and money on each visit.

Multiple times during the installation, commissioning and annual maintenance process, engineers and technicians are required to physically touch the end of the sensor probe to force a temperature change back to the BMS. And accessing the probe is often difficult and time consuming due to the location and obstructions. The test and balance switch eliminates the hassle by allowing you to send specific resistance values back to the BMS with a flick of a switch inside the sensor enclosure.

Besides verifying the sensor location and operation, the resistance values provided by the switch correlate to low and high temperature readings, so the switch can be used to quickly place the zone into full heat or full cool mode during regular testing and balancing visits –again saving time and money and eliminating the need to access the BMS.

The test and balance switch is available for most of BAPI's temperature products, including room, duct, immersion, outside air, pipe, fridge and freezer sensors.



BAPI's Test & Balance Switch — Safe, Fast & Accurate —

Duct Sensor with Test and Balance Switch



ORDERING

PART NUMBER:	DESCRIPTION:	PRICE:
-TB	Test & Balance Switch (This is an available option. Please add "-TB" to the end of the sensor part number to order.)	€6.50

BAPI-STAT QUANTUM WITH DISPLAY

Room Temperature Sensor

- BAPI-Stat "Quantum" enclosure style with higher contrast display for improved clarity at greater distances
- Large display with multiple indicators and icons
- Test & Balance Switch available for point-to-point testing

The BAPI-Stat "Quantum" room temperature sensor with display features a modern enclosure style with pushbutton setpoint adjustment and occupant override. The large display has been upgraded for higher contrast, providing improved clarity at greater distances.

The temperature sensor is available as a 10K-2, 10K-3 or 10K-4 Thermistor. The setpoint comes in a 10 to 32°C or -3 to +3 range with a 0 to 10V output.



ANOTHER ORIGINAL



SPECIFICATIONS

TEMP SENSING ELEMENT & ACCURACY:

- 10K-2 Thermistor: ±0.2°C (0 to 70°C)
- 10K-3 Thermistor: ±0.2°C (0 to 70°C)
- 10K-4 Thermistor: ±1% @ 25°C

POWER FOR 24 VDC POWER UNITS (default):

- 0 to 5 VDC Setpoint or Resistive Setpoint 9 to 40 VDC (24 VDC nominal)
- 0 to 10 VDC Setpoint or Resistive Setpoint 15 to 40 VDC (24 VDC nominal)
- Any Allowed Setpoint 15 to 28 VAC (24 VAC nominal)

Note: AC power requires a separate pair of shielded wires.

POWER CONSUMPTION:

13mA max DC; .32 VA max AC

WIRING:

2 to 4 pair of 16 to 22AWG*

MOUNTING:

Universal backplate (screws provided)

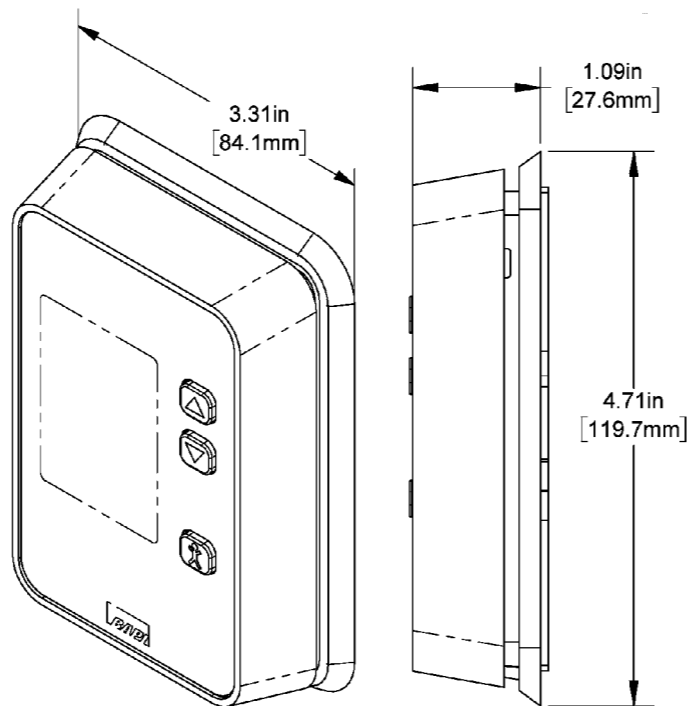
ENVIRONMENTAL OPERATION RANGE:

Temperature: 0 to 50°C
Humidity: 0 to 95%, non-condensing

MATERIAL:

ABS Plastic UL94, V-0

*BAPI recommends that you do not run wiring for room units in the same conduit as line voltage wiring or with wiring used to supply highly inductive loads such as motors, generators and coils. Also, these units are not designed for line voltage applications.



ORDERING

PART NUMBER:	DESCRIPTION:	PRICE:
BA/TQ60C-B-2-C10-J	10K-2 Thermistor/Temp Setpoint: 10 to 32°C, 0 to 10V Output/Override	€ 107.75
BA/TQ60C-C-2-C10-J	10K-3 Thermistor/Temp Setpoint: 10 to 32°C, 0 to 10V Output/Override	€ 107.75
BA/TQ60C-V-2-C10-J	10K-4 Thermistor/Temp Setpoint: 10 to 32°C, 0 to 10V Output/Override	€ 107.75
BA/TQ60C-A-2-C10-J	1K Platinum RTD/Temp Setpoint: 10 to 32°C, 0 to 10V Output/Override	€ 107.75
BA/TQ60C-B-2-A10-J	10K-2 Thermistor/Temp Setpoint: -3 to +3°, 0 to 10V Output/Override	€ 107.75
BA/TQ60C-C-2-A10-J	10K-3 Thermistor/Temp Setpoint: -3 to +3°, 0 to 10V Output/Override	€ 107.75
BA/TQ60C-V-2-A10-J	10K-4 Thermistor/Temp Setpoint: -3 to +3°, 0 to 10V Output/Override	€ 107.75
BA/TQ60C-A-2-A10-J	1K Platinum RTD/Temp Setpoint: -3 to +3°C, 0 to 10V Output/Override	€ 107.75
- TB	Test & Balance Switch (This is an available option. Please add "-TB" to the end of the sensor part number to order.)	€6.50

BAPI-STAT QUANTUM WITHOUT DISPLAY

Room Temperature Sensor

- BAPI-Stat "Quantum" Style Enclosure
- Optional setpoint, override and communication jack
- Wide selection of sensing elements available
- Test & Balance Switch available for point-to-point testing

Multiple options are available including an override that can be configured to work with most controllers and a communication jack with a 3.5mm phono plug style jack. Setpoint is available as a slidepot in various ranges.



ANOTHER ORIGINAL



SPECIFICATIONS

TEMP SENSING ELEMENT & ACCURACY:

- 10K-2 Thermistor: ±0.2°C (0 to 70°C)
- 10K-3 Thermistor: ±0.2°C (0 to 70°C)
- 10K-4 Thermistor: ±0.2°C (0 to 70°C)
- 1K RTD: ±0.12% at 0°C (385 curve)

WIRING:

16 to 22 AWG wires

MOUNTING:

Universal backplate (screws provided)

ENVIRONMENTAL OPERATING RANGE:

Temperature: 0 to 50°C
Humidity: 0 to 95% RH, non-condensing

ENCLOSURE MATERIAL & RATING:

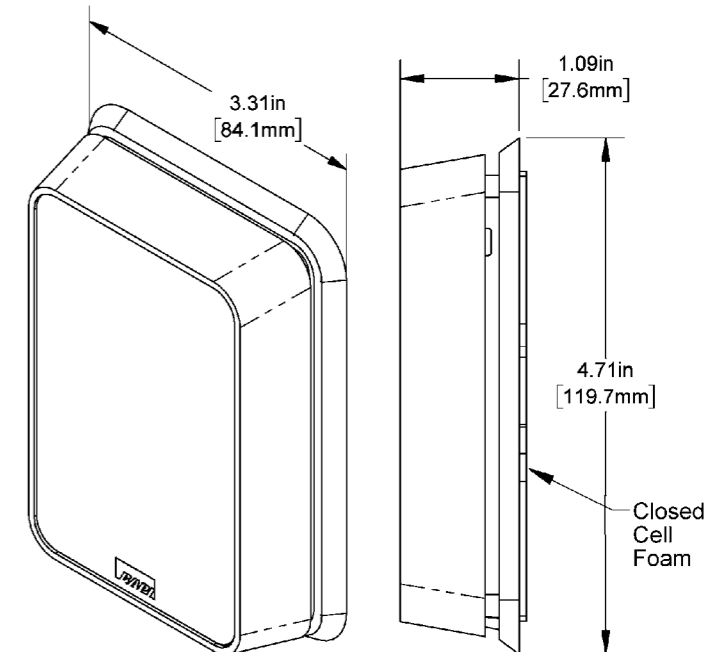
ABS Plastic, UL94 V-0

ALSO AVAILABLE:

BAPI-Guard

Made from durable polycarbonate the BAPI-Guard protects thermostats from damage and unauthorised adjustment.

See page 58 to learn more.



ORDERING

PART NUMBER:	DESCRIPTION:	PRICE:
BA/10K-2-BQEU-Z-CG	10K-2 Thermistor, BAPI-Stat Quantum Non-Display	€ 21.55
BA/10K-3-BQEU-Z-CG	10K-3 Thermistor, BAPI-Stat Quantum Non-Display	€ 21.55
BA/10K-4-BQEU-Z-CG	10K-4 Thermistor, BAPI-Stat Quantum Non-Display	€ 21.55
BA/1K-BQEU-Z-CG	1K Platinum RTD (385 Curve), BAPI-Stat Quantum Non-Display	€ 27.60
BA/10K-2-BQEU80L8-J-CG	10K-2 Thermistor, BAPI-Stat Quantum Non-Display, 0-20K Slider Setpoint Adjustment, Override	€ 31.05
BA/10K-3-BQEU80L8-J-CG	10K-3 Thermistor, BAPI-Stat Quantum Non-Display, 0-20K Slider Setpoint Adjustment, Override	€ 31.05
BA/10K-4-BQEU80L8-J-CG	10K-4 Thermistor, BAPI-Stat Quantum Non-Display, 0-20K Slider Setpoint Adjustment, Override	€ 31.05
BA/1K-BQEU80L8-J-CG	1K Platinum RTD (385 Curve), BAPI-Stat Quantum Non-Display, 0-20K Slider Setpoint Adjustment, Override (PT1000)	€ 37.05
- TB	Test & Balance Switch (This is an available option. Please add "-TB" to the end of the sensor part number to order.)	€6.50

BAPI-STAT QUANTUM SLIM

Room Temperature Sensor

- Sleek and compact BAPI-Stat "Quantum Slim" enclosure
- Wide selection of temperature sensing elements
- Available in white or black
- Lifetime limited warranty

The BAPI-Stat "Quantum Slim" Temperature Room Sensor is designed for applications where a temperature output is required with a sleek and compact room enclosure. Available with thermistor and RTD elements. Ideal for locations where aesthetics are as important as the temperature measurement.

LIFETIME LIMITED WARRANTY



ANOTHER ORIGINAL

SPECIFICATIONS

TEMP SENSING ELEMENT & ACCURACY:

- 10K-2 Thermistor: $\pm 0.2^{\circ}\text{C}$ (0 to 70°C)
- 10K-3 Thermistor: $\pm 0.2^{\circ}\text{C}$ (0 to 70°C)
- 10K-4 Thermistor: $\pm 0.2^{\circ}\text{C}$ (0 to 70°C)
- 1K RTD : $\pm 0.12\%$ at 0°C (385 curve)

WIRING:

One pair of 16 to 22 AWG wires

MOUNTING:

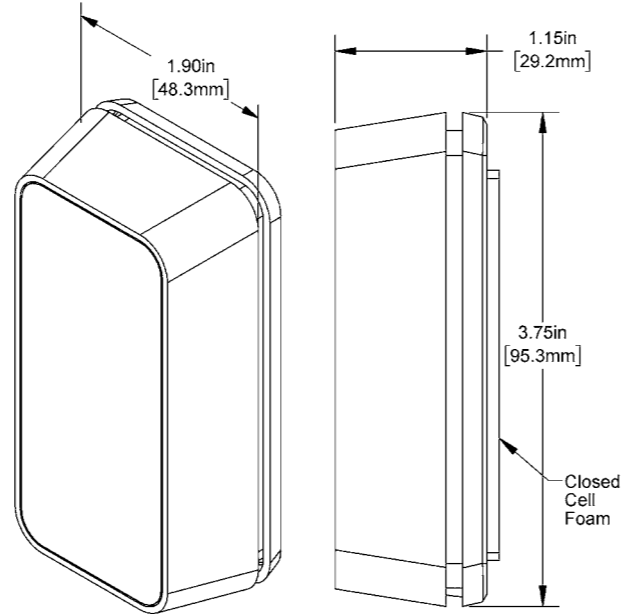
Surface mount (screws provided)

ENVIRONMENTAL OPERATING RANGE:

Temperature: 0 to 50°C
Humidity: 0 to 95% RH, non-condensing

ENCLOSURE MATERIAL & RATING:

ABS Plastic, UL94 V-0



ALSO AVAILABLE:

BAPI-Guard

Made from durable polycarbonate the BAPI-Guard protects thermostats from damage and unauthorised adjustment.

See page 58 to learn more.



ORDERING

PART NUMBER:	DESCRIPTION:	PRICE:
BA/QS-W-B	10K-2 Thermistor/White Enclosure Color	€ 21.55
BA/QS-W-C	10K-3 Thermistor/White Enclosure Color	€ 21.55
BA/QS-W-V	10K-4 Thermistor/White Enclosure Color	€ 21.55
BA/QS-W-A	1K Platinum RTD/White Enclosure Color	€ 27.55
BA/QS-B-B	10K-2 Thermistor/Black Enclosure Color	€ 25.85
BA/QS-B-C	10K-3 Thermistor/Black Enclosure Color	€ 25.85
BA/QS-B-V	10K-4 Thermistor/Black Enclosure Color	€ 25.85
BA/QS-B-A	1K Platinum RTD/Black Enclosure Color	€ 31.85

LOW PROFILE BUTTON SENSOR

Low Profile Temperature Sensor

- Small, flush-mounted room temperature sensor
- Accurate direct air measurement
- Paintable with latex or oil base paint
- Wide selection of temperature sensing elements
- Lifetime limited warranty

The Low Profile "Button" Sensor is ideal for locations where aesthetics are as important as the temperature measurement. The inconspicuous wall sensor mounts easily by pushing through a 10 mm hole and secured with a peel off tape strip. The only visible portion is a flush 22 mm dot on the wall.

The Low Profile "Button" Sensor is available in white or black with a wide range of sensing elements.



ANOTHER ORIGINAL

LIFETIME LIMITED WARRANTY

SPECIFICATIONS

WIRING:

One pair of 22 AWG wires
150mm cable length

WIRE INSULATION:

Etched Teflon, Plenum Rated

MOUNTING:

10mm hole, push in plastic sheath with peel off insulating

MATERIAL & RATING:

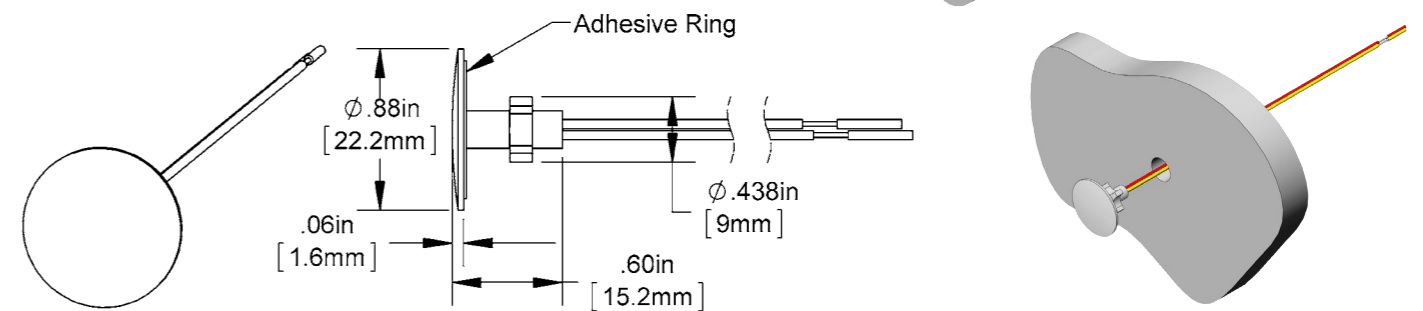
ABS Plastic, UL94 V-0

ENVIRONMENTAL OPERATING RANGE:

Humidity: 0 to 100% RH, non-condensing
Temperature: Unit with Etched Teflon Wire: -40 to 85°C
Unit with Plenum-Rated Wire: -20 to 75°C

TEMP SENSING ELEMENT & ACCURACY:

- 10K-2 Thermistor: $\pm 0.2^{\circ}\text{C}$ (0 to 70°C)
- 10K-3 Thermistor: $\pm 0.2^{\circ}\text{C}$ (0 to 70°C)
- 10K-4 Thermistor: $\pm 0.2^{\circ}\text{C}$ (0 to 70°C)
- 1K RTD : $\pm 0.12\%$ at 0°C (385 curve)



ORDERING

PART NUMBER:	DESCRIPTION:	PRICE:
BA/10K-2-LPW	10K-2 Thermistor/White Color	€ 21.55
BA/10K-3-LPW	10K-3 Thermistor/White Color	€ 21.55
BA/10K-4-LPW	10K-4 Thermistor/White Color	€ 21.55
BA/1K-LPW	1K Platinum RTD/White Color	€ 27.55
BA/10K-2-LPB	10K-2 Thermistor/Black Color	€ 25.85
BA/10K-3-LPB	10K-3 Thermistor/Black Color	€ 25.85
BA/10K-4-LPB	10K-4 Thermistor/Black Color	€ 25.85
BA/1K-LPB	1K Platinum RTD/Black Color	€ 31.90

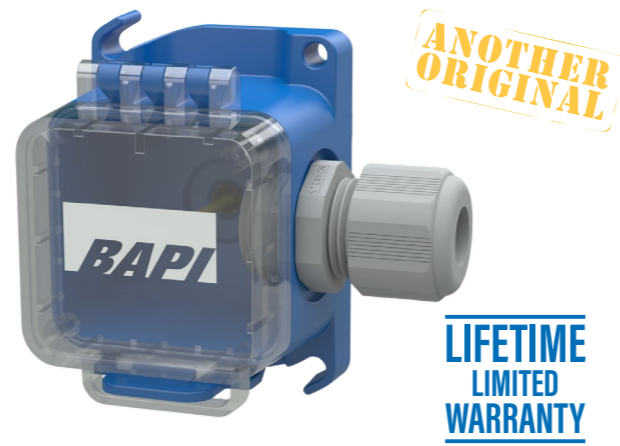
DUCT SENSOR

BAPI Box Crossover Enclosure

- Stainless steel probes: 100, 200, 300 and 400mm
- Double encapsulated sensors & etched Teflon leads
- Wide selection of temperature sensing elements
- Test & Balance Switch available for point-to-point testing

Duct Units with a BAPI-Box Crossover come with a polycarbonate enclosure. The foam backing provides a tight seal for the probe insertion hole and absorbs vibration. Mounting tabs allow for easy installation directly to the wall of the duct.

All Duct Units have etched Teflon leadwires and double encapsulated sensors to create a watertight package that can withstand high humidity and condensation and perform under real world conditions. Duct Units have probe lengths from 100 to 400mm to accommodate most duct shapes and sizes.



SPECIFICATIONS

ENVIRONMENTAL OPERATING RANGE:

Temperature: -40 to 85°C
Humidity: 0 to 100% RH, non-condensing

PROBE MATERIAL:

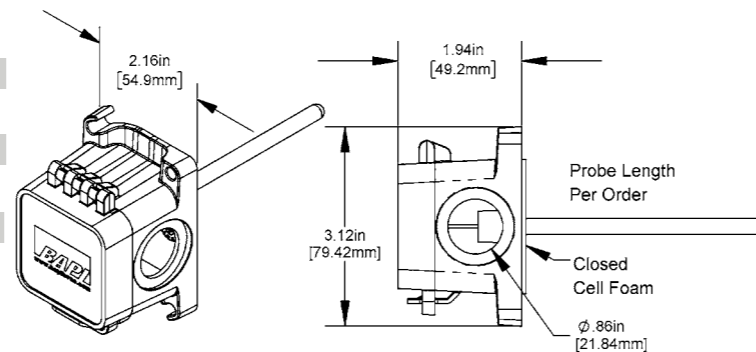
Stainless Steel

ENCLOSURE MATERIAL & RATING:

UV-resistant polycarbonate cover and nylon base, UL94 V-0, IP44

TEMP SENSING ELEMENT & ACCURACY:

10K-2 Thermistor: ±0.2°C (0 to 70°C)
10K-3 Thermistor: ±0.2°C (0 to 70°C)
10K-4 Thermistor: ±0.2°C (0 to 70°C)
1K RTD : ±0.12% at 0°C (385 curve)



ORDERING

PART NUMBER:	DESCRIPTION:	PRICE:
BA/10K-2-D-100mm-BBX	10K-2 Thermistor, 100mm Probe, BAPI-Box Crossover Enclosure	€ 21.50
BA/10K-2-D-200mm-BBX	10K-2 Thermistor, 200mm Probe, BAPI-Box Crossover Enclosure	€ 21.50
BA/10K-2-D-300mm-BBX	10K-2 Thermistor, 300mm Probe, BAPI-Box Crossover Enclosure	€ 21.50
BA/10K-2-D-400mm-BBX	10K-2 Thermistor, 400mm Probe, BAPI-Box Crossover Enclosure	€ 21.50
BA/10K-3-D-100mm-BBX	10K-3 Thermistor, 100mm Probe, BAPI-Box Crossover Enclosure	€ 21.50
BA/10K-3-D-200mm-BBX	10K-3 Thermistor, 200mm Probe, BAPI-Box Crossover Enclosure	€ 21.50
BA/10K-3-D-300mm-BBX	10K-3 Thermistor, 300mm Probe, BAPI-Box Crossover Enclosure	€ 21.50
BA/10K-3-D-400mm-BBX	10K-3 Thermistor, 400mm Probe, BAPI-Box Crossover Enclosure	€ 21.50
BA/10K-4-D-100mm-BBX	10K-4 Thermistor, 100mm Probe, BAPI-Box Crossover Enclosure	€ 21.50
BA/10K-4-D-200mm-BBX	10K-4 Thermistor, 200mm Probe, BAPI-Box Crossover Enclosure	€ 21.50
BA/10K-4-D-300mm-BBX	10K-4 Thermistor, 300mm Probe, BAPI-Box Crossover Enclosure	€ 21.50
BA/10K-4-D-400mm-BBX	10K-4 Thermistor, 400mm Probe, BAPI-Box Crossover Enclosure	€ 21.50
BA/1K-D-100mm-BBX	1K Platinum RTD (385 Curve), 100mm Probe, BAPI-Box Crossover Enclosure (PT1000)	€ 27.55
BA/1K-D-200mm-BBX	1K Platinum RTD (385 Curve), 200mm Probe, BAPI-Box Crossover Enclosure (PT1000)	€ 27.55
BA/1K-D-300mm-BBX	1K Platinum RTD (385 Curve), 300mm Probe, BAPI-Box Crossover Enclosure (PT1000)	€ 27.55
BA/1K-D-400mm-BBX	1K Platinum RTD (385 Curve), 400mm Probe, BAPI-Box Crossover Enclosure (PT1000)	€ 27.55
- TB	Test & Balance Switch (This is an available option. Please add "-TB" to the end of the sensor part number to order.)	€6.50

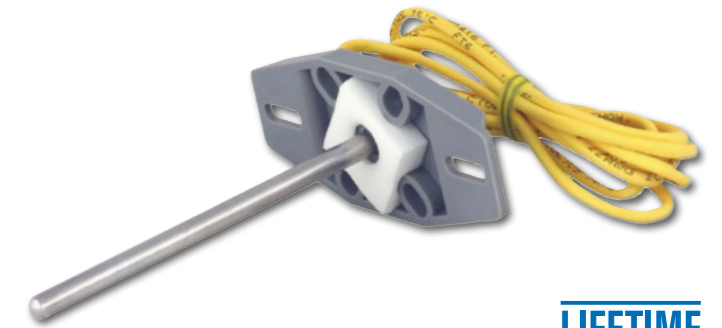
DUCT SENSOR FLANGE MOUNT

Temperature Sensor

- Stainless steel probes: 100, 200 and 300mm
- Double encapsulated sensors
- 2.0m plenum-rated cable leads
- Wide selection of temperature sensing elements

Single Point Duct Units feature foam backing that provides a tight seal for the probe insertion hole and absorbs vibration. Mounting tabs allow for easy installation directly to the wall of the duct.

All Duct Units have PVC plenum leadwires and double encapsulated sensors that withstand high humidity and condensation and perform under real world conditions. Duct Units have probe lengths from 100 to 300mm.



SPECIFICATIONS

ENVIRONMENTAL OPERATING RANGE:

Temperature: -40 to 85°C
Humidity: 0 to 100%, non-condensing

PROBE MATERIAL:

Stainless Steel

TEMP SENSING ELEMENT & ACCURACY:

10K-2 Thermistor: ±0.2°C (0 to 70°C)
10K-3 Thermistor: ±0.2°C (0 to 70°C)
10K-4 Thermistor: ±0.2°C (0 to 70°C)
1K RTD : ±0.12% at 0°C (385 curve)

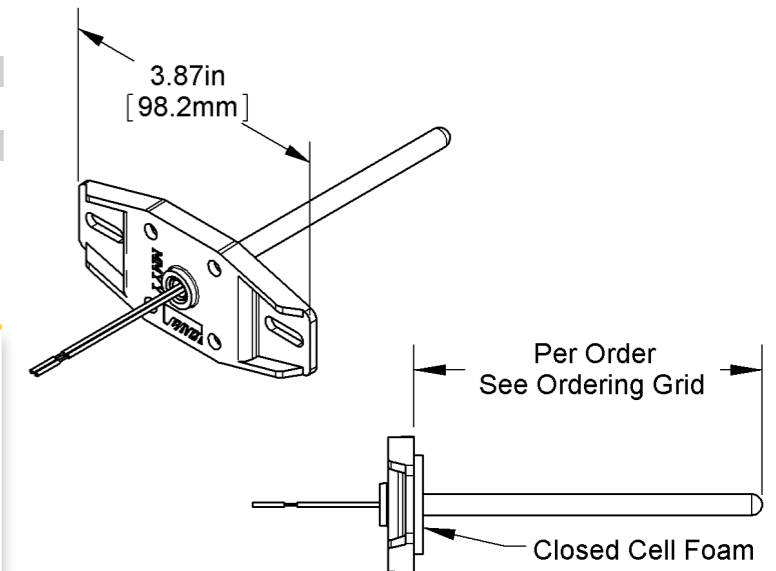
ALSO AVAILABLE:

Sealant Filled Connectors

BAPI's Sealant Filled Connectors (SFC) contain a moisture-excluding sealant which encapsulates the electrical connection protecting it from moisture and oxidation.



See page 61 to learn more.



ORDERING

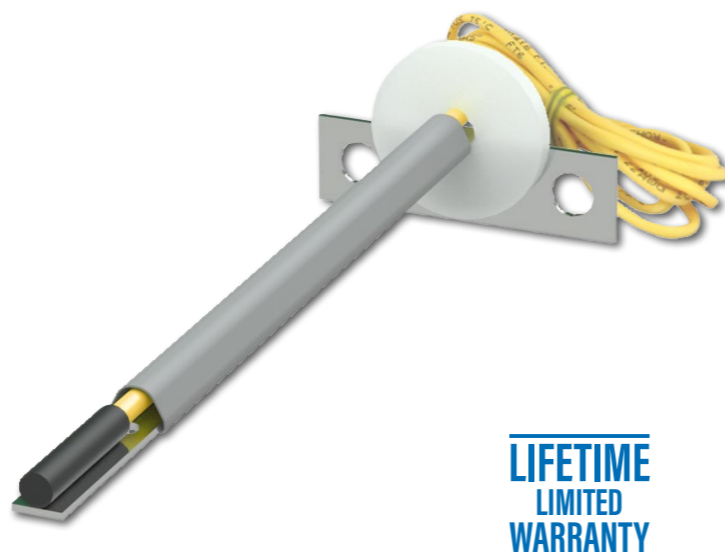
PART NUMBER:	DESCRIPTION:	PRICE:
BA/10K-2-D-100mm-NB-2.0m	10K-2 Thermistor, 100mm Probe, Flange Mounted, 2.0m Cable	€ 21.55
BA/10K-2-D-200mm-NB-2.0m	10K-2 Thermistor, 200mm Probe, Flange Mounted, 2.0m Cable	€ 21.55
BA/10K-2-D-300mm-NB-2.0m	10K-2 Thermistor, 300mm Probe, Flange Mounted, 2.0m Cable	€ 21.55
BA/10K-3-D-100mm-NB-2.0m	10K-3 Thermistor, 100mm Probe, Flange Mounted, 2.0m Cable	€ 21.55
BA/10K-3-D-200mm-NB-2.0m	10K-3 Thermistor, 200mm Probe, Flange Mounted, 2.0m Cable	€ 21.55
BA/10K-3-D-300mm-NB-2.0m	10K-3 Thermistor, 300mm Probe, Flange Mounted, 2.0m Cable	€ 21.55
BA/10K-4-D-100mm-NB-2.0m	10K-4 Thermistor, 100mm Probe, Flange Mounted, 2.0m Cable	€ 21.55
BA/10K-4-D-200mm-NB-2.0m	10K-4 Thermistor, 200mm Probe, Flange Mounted, 2.0m Cable	€ 21.55
BA/10K-4-D-300mm-NB-2.0m	10K-4 Thermistor, 300mm Probe, Flange Mounted, 2.0m Cable	€ 21.55
BA/1K-D-100mm-NB-2.0m	1K Platinum RTD (385 Curve), 100mm Probe Flange Mounted, 2m Cable (PT1000)	€ 27.60
BA/1K-D-200mm-NB-2.0m	1K Platinum RTD (385 Curve), 200mm Probe Flange Mounted, 2m Cable (PT1000)	€ 27.60
BA/1K-D-300mm-NB-2.0m	1K Platinum RTD (385 Curve), 300mm Probe Flange Mounted, 2m Cable (PT1000)	€ 27.60

T-STIK

Temperature Sensor

- Mounting tabs for easy installation
- 127mm probe length
- 2.0m plenum-rated cable leads
- Wide selection of temperature sensing elements

All T-Stik Mounting Bracket Sensors Units are packaged to withstand high humidity and condensation. The foam backing provides a seal for the probe insertion hole and absorbs vibration. It also includes mounting tabs for easy installation. The T-Stik is good for Unitary Supply Air Temperature sensing due to its quicker response time over a duct probe.



SPECIFICATIONS

ENVIRONMENTAL OPERATING RANGE:

Temperature: -40 to 100°C

MOUNTING:

Extension tabs

DUCT GASKET:

6.4mm Closed cell foam (impervious to mold)

CABLE LEADS:

2.0m plenum-rated cable leads

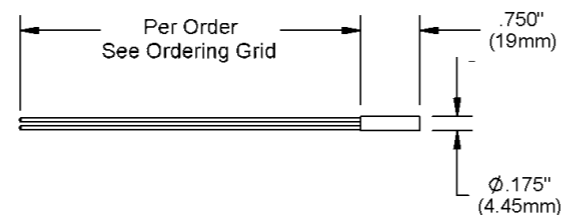
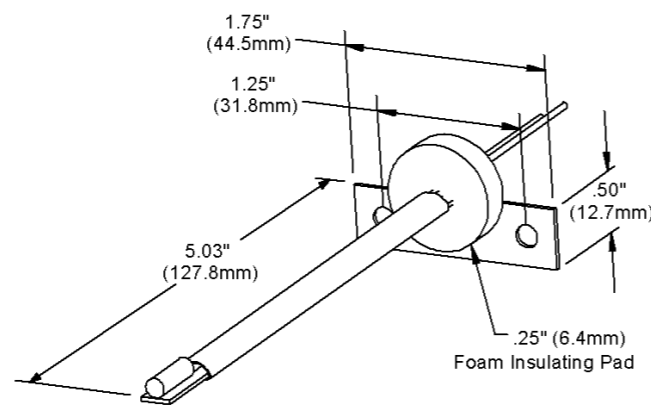
TEMP SENSING ELEMENT & ACCURACY:

10K-2 Thermistor: ±0.2°C (0 to 70°C)

10K-3 Thermistor: ±0.2°C (0 to 70°C)

10K-4 Thermistor: ±0.2°C (0 to 70°C)

1K RTD : ±0.12% at 0°C (385 curve)



ALSO AVAILABLE:

Sealant Filled Connectors

BAPI's Sealant Filled Connectors (SFC) contain a moisture-excluding sealant which encapsulates the electrical connection protecting it from moisture and oxidation.



See page 61 to learn more.

ORDERING

PART NUMBER:	DESCRIPTION:	PRICE:
BA/10K-2-TK-2.0m	10K-2 Thermistor, Mounting Bracket, 2.0m Cable	€ 21.55
BA/10K-3-TK-2.0m	10K-3 Thermistor, Mounting Bracket, 2.0m Cable	€ 21.55
BA/10K-4-TK-2.0m	10K-4 Thermistor, Mounting Bracket, 2.0m Cable	€ 21.55
BA/1K-TK-2.0m	1K Platinum RTD (385 Kurve), Montagehalterung, 2,0m Kabel (PT1000)	€ 27.60

DUCT AVERAGING SENSOR

BAPI-Box Crossover

- Averaging lengths: 2.4, 3.7 & 7.3m
- Flexible aluminum tubing
- Accurate measurement along the entire length
- Test & Balance Switch available for point-to-point testing



BAPI Duct Averaging Units feature foam backing that provides a tight seal for the probe insertion hole and absorbs vibration. Mounting tabs allow for easy installation to the duct. All units have etched Teflon leadwires and encapsulated sensors to create a watertight package that can perform under real world conditions.

Averaging probes should be used wherever there is a chance for stratified layers of hot and cold air. Averaging probes are made of bendable aluminum tubing and measure temperature along their entire length. Nylon tie straps are provided for mounting.

SPECIFICATIONS

ENVIRONMENTAL OPERATING RANGE:

Temperature: -40 to 85°C

Humidity: 0 to 95% RH, non-condensing

PROBE MATERIAL:

Bendable Aluminium, 4.8mm diameter

ENCLOSURE MATERIAL & RATING:

UV-resistant UL94, V-0 polycarbonate cover and nylon base

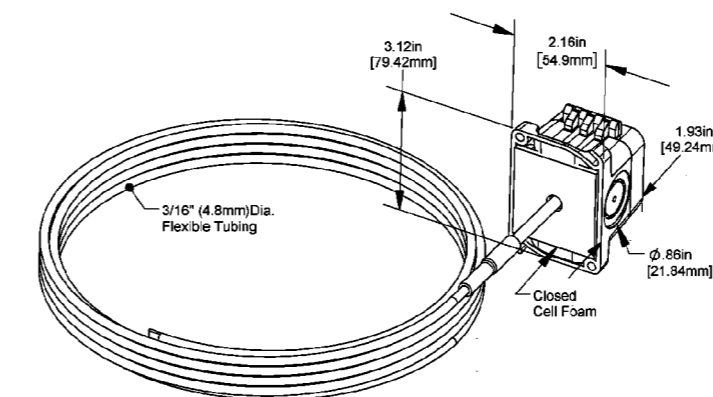
TEMP SENSING ELEMENT & ACCURACY:

10K-2 Thermistor: ±0.2°C (0 to 70°C)

10K-3 Thermistor: ±0.2°C (0 to 70°C)

10K-4 Thermistor: ±0.2°C (0 to 70°C)

1K RTD : ±0.12% at 0°C (385 curve)



ALSO AVAILABLE:

Flexible Probe Bracket (FPB)

The Flexible Probe Bracket (FPB) aids in mounting averaging sensors, low limit thermostats, or liquid fill thermostats. The bracket is used to reverse the direction of the flexible probe with a smooth arc to eliminate the risk of kinking the sensor.



See page 61 to learn more.

ORDERING

PART NUMBER:	DESCRIPTION:	PRICE:
BA/10K-2-A-2.4m-BBX	10K-2 Thermistor, BAPI-Box Crossover Enclosure with 2.4m Flexible Probe	€ 146.15
BA/10K-2-A-3.7m-BBX	10K-2 Thermistor, BAPI-Box Crossover Enclosure with 3.7m Flexible Probe	€ 156.50
BA/10K-2-A-7.3m-BBX	10K-2 Thermistor, BAPI-Box Crossover Enclosure with 7.3m Flexible Probe	€ 164.25
BA/10K-3-A-2.4m-BBX	10K-3 Thermistor, BAPI-Box Crossover Enclosure with 2.4m Flexible Probe	€ 146.15
BA/10K-3-A-3.7m-BBX	10K-3 Thermistor, BAPI-Box Crossover Enclosure with 3.7m Flexible Probe	€ 156.50
BA/10K-3-A-7.3m-BBX	10K-3 Thermistor, BAPI-Box Crossover Enclosure with 7.3m Flexible Probe	€ 183.20
BA/10K-4-A-2.4m-BBX	10K-4 Thermistor, BAPI-Box Crossover Enclosure with 2.4m Flexible Probe	€ 96.95
BA/10K-4-A-3.7m-BBX	10K-4 Thermistor, BAPI-Box Crossover Enclosure with 3.7m Flexible Probe	€ 101.25
BA/10K-4-A-7.3m-BBX	10K-4 Thermistor, BAPI-Box Crossover Enclosure with 7.3m Flexible Probe	€ 194.00
BA/1K-A-2.4m-BBX	1K Platinum RTD (385 Curve), BAPI-Box Crossover Enclosure with 2.4m Flexible Probe (PT1000)	€ 166.00
BA/1K-A-3.7m-BBX	1K Platinum RTD (385 Curve), BAPI-Box Crossover Enclosure with 3.7m Flexible Probe (PT1000)	€ 187.50
BA/1K-A-7.3m-BBX	1K Platinum RTD (385 Curve), BAPI-Box Crossover Enclosure with 7.3m Flexible Probe (PT1000)	€ 213.35
- TB	Test & Balance Switch (This is an available option. Please add "-TB" to the end of the sensor part number to order.)	€6.50

NOTE: Grey shaded items follow the Buy and Resale Multiplier.

RIGID AVERAGING SENSOR

BAPI-Box Crossover

- Averaging lengths: 300mm up to 1.2m available
- Durable BAPI-Box Crossover enclosure
- Hinged cover for easy termination
- Test & Balance Switch available for point-to-point testing

Rigid Averaging Units feature foam backing that provides a tight seal for the probe insertion hole and absorbs vibration. It also comes with etched Teflon lead wires and double encapsulated sensors to create a watertight package that can perform under real world conditions.

Averaging probes should be used wherever there is a chance for stratified layers of hot and cold air. Rigid averaging probes are made of stainless steel and measure temperature along their entire length.



ANOTHER ORIGINAL

5 YEAR WARRANTY

SPECIFICATIONS

ENVIRONMENTAL OPERATING RANGE:

Temperature: -40 to 85°C
Humidity: 0 to 95% RH, non-condensing

PROBE MATERIAL:

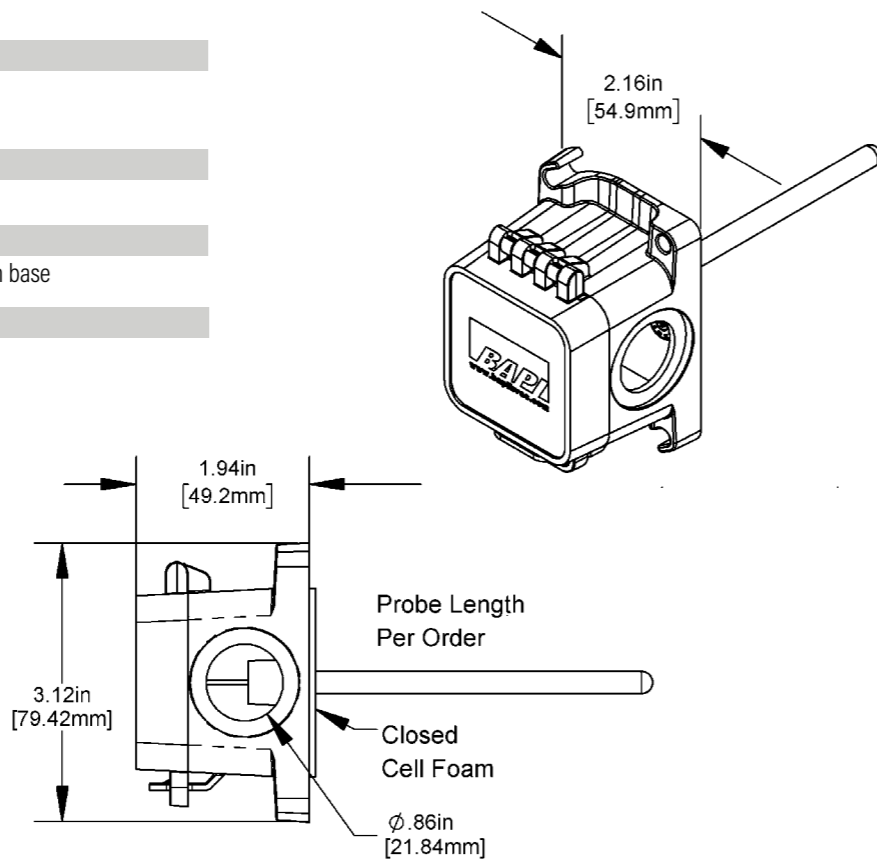
Stainless Steel

ENCLOSURE MATERIAL & RATING:

UV-resistant UL94, V-0 polycarbonate cover and nylon base

TEMP SENSING ELEMENT & ACCURACY:

10K-2 Thermistor: ±0.2°C (0 to 70°C)
10K-3 Thermistor: ±0.2°C (0 to 70°C)
10K-4 Thermistor: ±0.2°C (0 to 70°C)
1K RTD: ±0.12% at 0°C (385 curve)



ORDERING

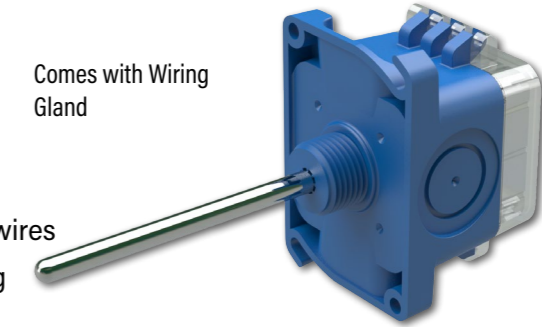
PART NUMBER:	DESCRIPTION:	PRICE:
BA/10K-2-RA-300mm-BBX	10K-2 Thermistor, BAPI-Box Crossover Enclosure with 300mm Rigid Probe	€ 80.60
BA/10K-2-RA-600m-BBX	10K-2 Thermistor, BAPI-Box Crossover Enclosure with 600mm Rigid Probe	€ 80.60
BA/10K-3-RA-300mm-BBX	10K-3 Thermistor, BAPI-Box Crossover Enclosure with 300mm Rigid Probe	€ 80.60
BA/10K-3-RA-600m-BBX	10K-3 Thermistor, BAPI-Box Crossover Enclosure with 600mm Rigid Probe	€ 80.60
BA/10K-4-RA-300mm-BBX	10K-4 Thermistor, BAPI-Box Crossover Enclosure with 300mm Rigid Probe	€ 80.60
BA/10K-4-RA-600m-BBX	10K-4 Thermistor, BAPI-Box Crossover Enclosure with 600mm Rigid Probe	€ 80.60
BA/1K-RA-300mm-BBX	1K Platinum RTD (385 Curve), BAPI-Box Crossover Enclosure with 300mm Rigid Probe (PT1000)	€ 86.60
BA/1K-RA-600m-BBX	1K Platinum RTD (385 Curve), BAPI-Box Crossover Enclosure with 600mm Rigid Probe (PT1000)	€ 86.60
- TB	Test & Balance Switch (This is an available option. Please add "-TB" to the end of the sensor part number to order.)	€6.50

IMMERSION SENSOR

BAPI-Box Crossover with Nylon Fitting

- 50, 100 and 200mm probe lengths
- Series 304 stainless steel probes
- Double encapsulated sensors and etched Teflon leadwires
- Test & Balance Switch available for point-to-point testing

Comes with Wiring Gland



ANOTHER ORIGINAL

LIFETIME LIMITED WARRANTY

Immersion Units feature the BAPI-Box Crossover enclosure with hinged cover for easy field access.

Immersion Units are available in 50, 100 and 200mm probe lengths. The sensor is potted inside a stainless steel probe with thermally conductive compound.

Immersion unit probes are designed to be inserted into a thermowell. For more info on thermowells, see the next page.

SPECIFICATIONS

ENVIRONMENTAL OPERATING RANGE:

Temperature: -40 to 85°C
Humidity: 0 to 100% RH, non-condensing

PROBE MATERIAL:

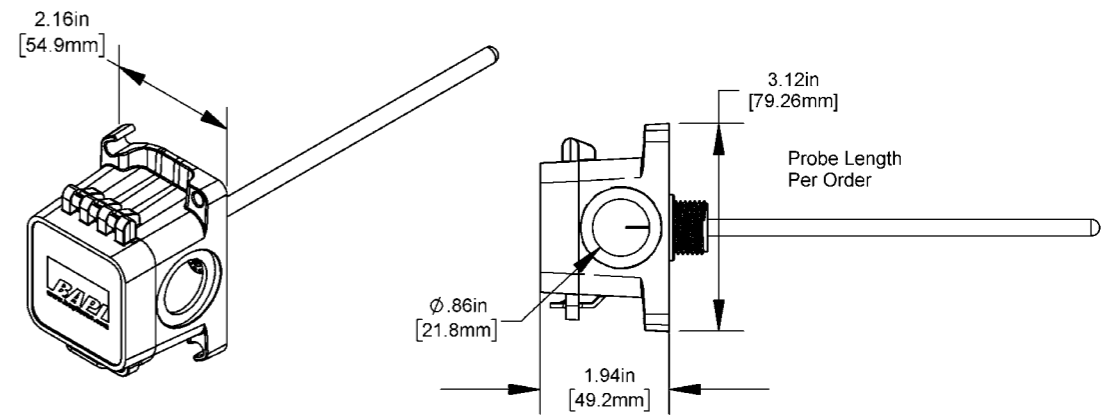
Stainless Steel

ENCLOSURE MATERIAL:

UV-resistant UL94, V-0 polycarbonate cover and nylon base

TEMP SENSING ELEMENT & ACCURACY:

10K-2 Thermistor: ±0.2°C (0 to 70°C)
10K-3 Thermistor: ±0.2°C (0 to 70°C)
10K-4 Thermistor: ±0.2°C (0 to 70°C)
1K RTD: ±0.12% at 0°C (385 curve)



APPLICATION NOTE:

Using Thermal Grease in Thermowells

Thermal grease is not required when using a BAPI Thermowell and Immersion temperature sensor combination. Read our application note to learn more.



Visit www.bapihvac.co.uk/resource-library to learn more.

ORDERING

PART NUMBER:	DESCRIPTION:	PRICE:
BA/10K-2-I-50mm-BBX	10K-2 Thermistor, 50mm Probe, BAPI-Box Crossover Enclosure	€ 28.00
BA/10K-2-I-100mm-BBX	10K-2 Thermistor, 100mm Probe, BAPI-Box Crossover Enclosure	€ 28.00
BA/10K-2-I-200mm-BBX	10K-2 Thermistor, 200mm Probe, BAPI-Box Crossover Enclosure	€ 28.00
BA/10K-3-I-50mm-BBX	10K-3 Thermistor, 50mm Probe, BAPI-Box Crossover Enclosure	€ 28.00
BA/10K-3-I-100mm-BBX	10K-3 Thermistor, 100mm Probe, BAPI-Box Crossover Enclosure	€ 28.00
BA/10K-3-I-200mm-BBX	10K-3 Thermistor, 200mm Probe, BAPI-Box Crossover Enclosure	€ 28.00
BA/10K-4-I-50mm-BBX	10K-4 Thermistor, 50mm Probe, BAPI-Box Crossover Enclosure	€ 28.00
BA/10K-4-I-100mm-BBX	10K-4 Thermistor, 100mm Probe, BAPI-Box Crossover Enclosure	€ 28.00
BA/10K-4-I-200mm-BBX	10K-4 Thermistor, 200mm Probe, BAPI-Box Crossover Enclosure	€ 34.05
BA/1K-I-50mm-BBX	1K Platinum RTD (385 Curve), 50mm Probe, BAPI-Box Crossover Enclosure (PT1000)	€ 34.05
BA/1K-I-100mm-BBX	1K Platinum RTD (385 Curve), 100mm Probe, BAPI-Box Crossover Enclosure (PT1000)	€ 34.05
BA/1K-I-200mm-BBX	1K Platinum RTD (385 Curve), 200mm Probe, BAPI-Box Crossover Enclosure (PT1000)	€ 34.05
- TB	Test & Balance Switch (This is an available option. Please add "-TB" to the end of the sensor part number to order.)	€6.50

THERMOWELLS

For Immersion Sensors

- Three lengths: 50, 100, 200mm
- 304 stainless steel
- One part machined construction
- 1/4 and 1/2" BSPT threads available

BAPI's machined Thermowells come in 304 stainless steel material. These Thermowells are offered in 50mm, 100mm and 200mm lengths (in both 1/4" and 1/2" threads). BSPT and NPT threads available. Contact us for all options.

The Thermowell chosen for an installation is governed mainly by the corrosion conditions the well will face. The machined stainless steel wells all come with a mirror polish to provide maximum corrosion resistance.



BA/100mm304

ANOTHER ORIGINAL



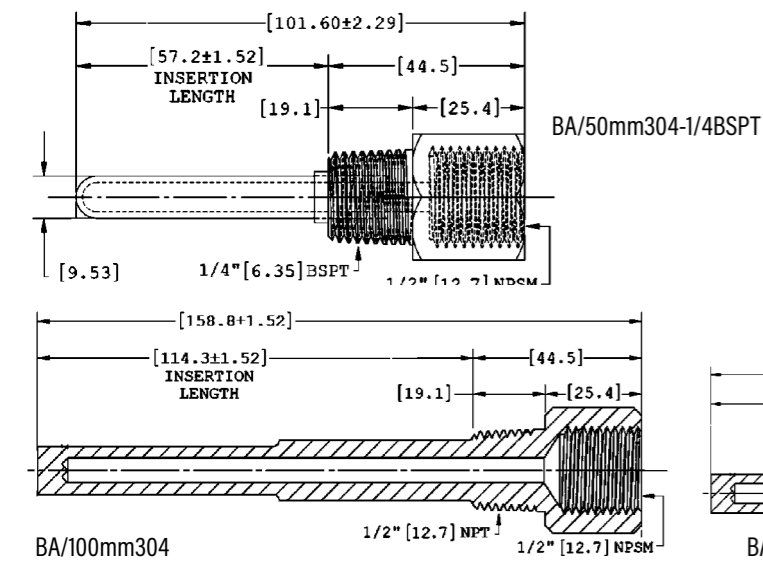
SPECIFICATIONS

MATERIAL:

304 Stainless Steel

EXTERNAL THREAD:

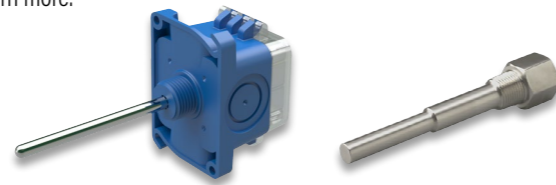
BSPT or NPT with either 1/4" or 1/2" threads



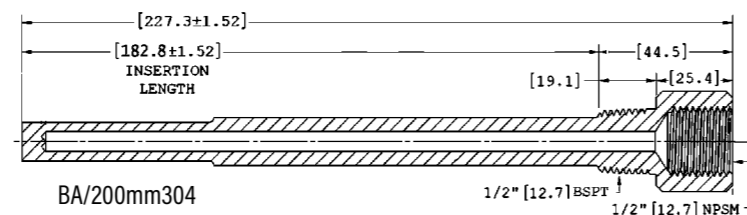
APPLICATION NOTE:

Using Thermal Grease in Thermowells

Thermal grease is not required when using a BAPI Thermowell and Immersion temperature sensor combination. Read our application note to learn more.



Visit www.bapihvac.co.uk/resource-library to learn more.



ORDERING

PART NUMBER:	DESCRIPTION:	PRICE:
BA/100mm304	Thermowell Machined 304 Stainless Steel 100mm, 1/2" NPT Outer Threads	€ 25.90
BA/200mm304	Thermowell Machined 304 Stainless Steel 200mm, 1/2" NPT Outer Threads	€ 51.70
BA/50mm304BSPT	Thermowell Machined 304 Stainless Steel 50mm, 1/2" BSPT Outer Threads	€ 18.95
BA/100mm304BSPT	Thermowell Machined 304 Stainless Steel 100mm, 1/2" BSPT Outer Threads	€ 25.85
BA/200mm304BSPT	Thermowell Machined 304 Stainless Steel 200mm, 1/2" BSPT Outer Threads	€ 51.70
BA/50mm316BSPT	Thermowell Machined 316 Stainless Steel 50mm, 1/2" BSPT Outer Threads	€ 37.95
BA/100mm316BSPT	Thermowell Machined 316 Stainless Steel 100mm, 1/2" BSPT Outer Threads	€ 43.10
BA/200mm316BSPT	Thermowell Machined 316 Stainless Steel 200mm, 1/2" BSPT Outer Threads	€ 68.95
BA/50mm304-1/4BSPT	Thermowell Machined 304 Stainless Steel 50mm, 1/4" BSPT Outer Threads	€ 18.95

NOTE: Grey shaded items follow the Buy and Resale Multiplier.

CLAMP-ON

Temperature Sensors

- Bendable copper sensing plate, forms to curvatures of pipes
- Adjustable hose clamp for pipes from 50 to 115mm diameter
- BAPI-Box Crossover enclosure with hinged cover
- Lifetime limited warranty

Clamp-on sensors are designed to monitor water temperature in retrofit or filled pipe applications.

The unit has a bendable copper sensing plate which forms to the curvature of the pipe. The unit comes with an adjustable clamp that holds the unit in place around pipes 50 to 115mm in diameter.



LIFETIME LIMITED WARRANTY

Comes with Wiring Gland

SPECIFICATIONS

ENVIRONMENTAL OPERATING RANGE:

Temperature: -40 to 85°C

ENCLOSURE MATERIAL & RATING:

UV-resistant UL94, V-0 polycarbonate cover and nylon base

ENCLOSURE RATING:

IP44 with knockout plug in open port

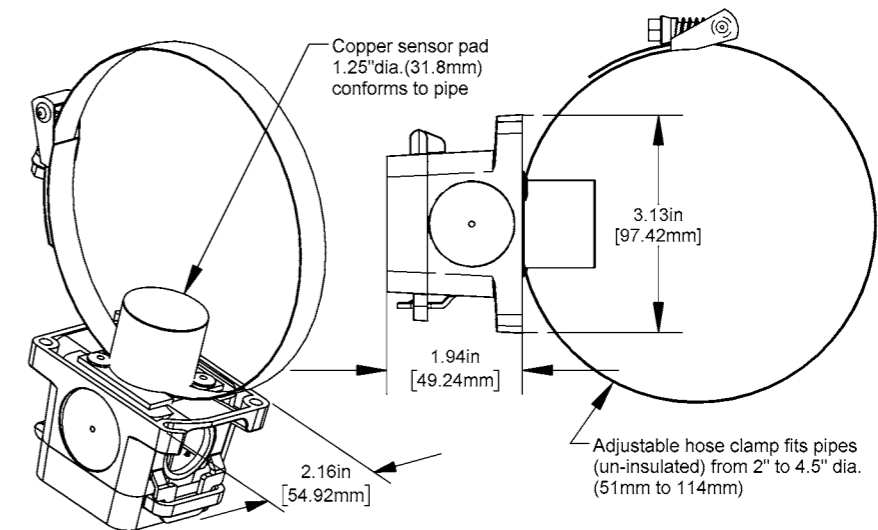
TEMP SENSING ELEMENT & ACCURACY:

10K-2 Thermistor: ±0.2°C (0 to 70°C)

10K-3 Thermistor: ±0.2°C (0 to 70°C)

10K-4 Thermistor: ±0.2°C (0 to 70°C)

1K RTD: ±0.12% at 0°C (385 curve)



ORDERING

PART NUMBER:	DESCRIPTION:	PRICE:
BA/10K-2-S-BBX	10K-2 Thermistor, BAPI-Box Crossover Enclosure with Clamp-On Strap. Fits 5 to 11.4cm diameter pipes	€ 30.60
BA/10K-3-S-BBX	10K-3 Thermistor, BAPI-Box Crossover Enclosure with Clamp-On Strap. Fits 5 to 11.4cm diameter pipes	€ 30.60
BA/10K-4-S-BBX	10K-4 Thermistor, BAPI-Box Crossover Enclosure with Clamp-On Strap. Fits 5 to 11.4cm diameter pipes	€ 30.60
BA/1K-S-BBX	1K Platinum RTD (385 Curve), BAPI-Box Crossover Enclosure with Clamp-On Strap. Fits 5 to 11.4cm diameter pipes (PT1000)	€ 36.60
- TB	Test & Balance Switch (This is an available option. Please add "-TB" to the end of the sensor part number to order.)	€6.50

OUTSIDE AIR SENSOR

BAPI-Box 2

- Quick-response sensor
- IP66-rated BAPI-Box 2 enclosure
- Well-vented sensor guard
- Test & Balance Switch available for point-to-point testing

Outside Air Units are designed to be mounted outdoors. The UV-resistant plastic shield keeps the sensor out of the sunlight and allows for excellent air circulation. The units are available in a BAPI-Box 2 polycarbonate enclosure which carries an IP66 rating.

All Outside Air Units have etched Teflon leadwires and can withstand high humidity and condensation and perform under real world conditions. This is especially important in an outside air application which can be exposed to rain, snow and large temperature swings.



SPECIFICATIONS

ENVIRONMENTAL OPERATING RANGE:

Temperature Sensor: -40 to 85°C
Humidity: 0 to 100% RH, non-condensing

ENCLOSURE MATERIAL & RATING:

UV-resistant UL94, V-0 polycarbonate

ENCLOSURE RATING:

IP66

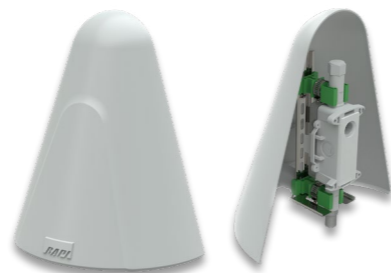
TEMP SENSING ELEMENT & ACCURACY:

10K-2 Thermistor: ±0.2°C (0 to 70°C)
10K-3 Thermistor: ±0.2°C (0 to 70°C)
10K-4 Thermistor: ±0.2°C (0 to 70°C)
1K RTD: ±0.12% at 0°C (385 curve)

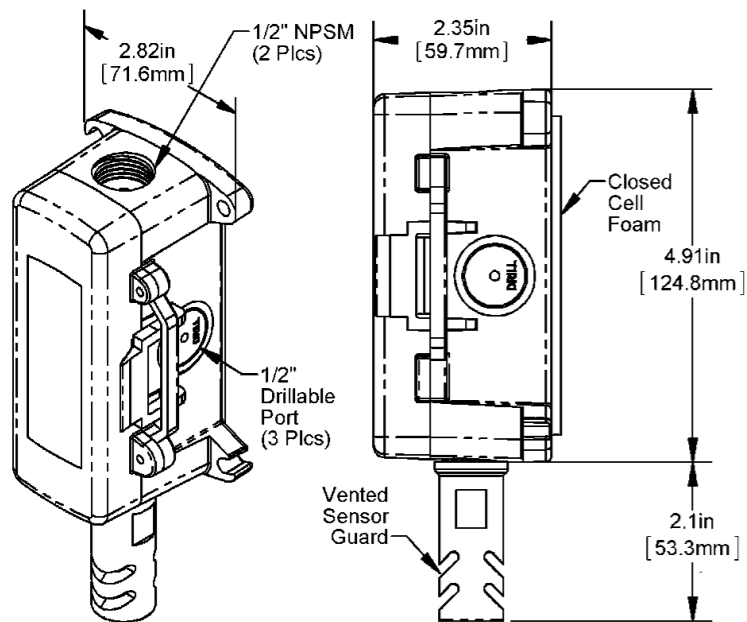
ALSO AVAILABLE:

Weather Shade

External temperature, humidity and air quality sensors can be affected by solar heat gain. The BAPI Weather Shade effectively blocks the solar heat gain, improving the accuracy of the sensor.



See page 60 to learn more.



ORDERING

PART NUMBER:	DESCRIPTION:	PRICE:
BA/10K-2-0-BB2	10K-2 Thermistor, IP66 BAPI-Box2 Enclosure	€ 25.80
BA/10K-3-0-BB2	10K-3 Thermistor, IP66 BAPI-Box2 Enclosure	€ 25.80
BA/10K-4-0-BB2	10K-4 Thermistor, IP66 BAPI-Box2 Enclosure	€ 25.80
BA/1K-0-BB2	1K Platinum RTD (385 Curve), IP66 Bapi-Box-2 Enclosure (PT1000)	€ 31.85
- TB	Test & Balance Switch (This is an available option. Please add "-TB" to the end of the sensor part number to order.)	€6.50

REMOTE SENSOR

Temperature Sensors

- Epoxy encapsulated shell with plenum-rated cable
- Ideal for tight areas where traditional immersion or duct sensor will not fit
- Lifetime limited warranty
- Multiple cable lengths available

BAPI Remote Sensors feature a 19mm long encapsulation shell and plenum-rated cable leads in lengths of 1.2, 2.0, 5.0, and 10.0m. Remote Sensors are perfect for tight locations. Additional cable options and lengths available.



SPECIFICATIONS

ENVIRONMENTAL OPERATING RANGE:

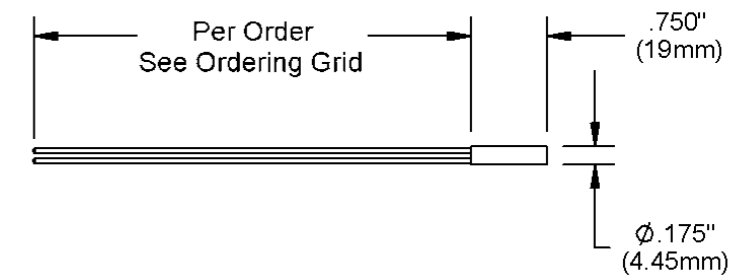
Temperature: -40 to 70°C
Humidity: 0 to 100% RH, non-condensing

CABLE LEADS:

1.2, 2.0, 5.0 or 10.0m plenum-rated cable leads

TEMP SENSING ELEMENT & ACCURACY:

10K-2 Thermistor: ±0.2°C (0 to 70°C)
10K-3 Thermistor: ±0.2°C (0 to 70°C)
10K-4 Thermistor: ±0.2°C (0 to 70°C)
1K RTD: ±0.12% at 0°C (385 curve)



ORDERING

PART NUMBER:	DESCRIPTION:	PRICE:
BA/10K-2-PP-1.2m	10K-2 Thermistor, 1.2m Cable	€ 13.50
BA/10K-2-PP-2.0m	10K-2 Thermistor, 2.0m Cable	€ 14.50
BA/10K-2-PP-5.0m	10K-2 Thermistor, 5.0m Cable	€ 17.95
BA/10K-2-PP-10.0m	10K-2 Thermistor, 10.0m Cable	€ 23.10
BA/10K-3-PP-1.2m	10K-3 Thermistor, 1.2m Cable	€ 13.50
BA/10K-3-PP-2.0m	10K-3 Thermistor, 2.0m Cable	€ 14.50
BA/10K-3-PP-5.0m	10K-3 Thermistor, 5.0m Cable	€ 17.95
BA/10K-3-PP-10.0m	10K-3 Thermistor, 10.0m Cable	€ 23.10
BA/10K-4-PP-1.2m	10K-4 Thermistor, 1.2m Cable	€ 13.50
BA/10K-4-PP-2.0m	10K-4 Thermistor, 2.0m Cable	€ 14.50
BA/10K-4-PP-5.0m	10K-4 Thermistor, 5.0m Cable	€ 17.95
BA/10K-4-PP-10.0m	10K-4 Thermistor, 10.0m Cable	€ 23.10
BA/1K-PP-1.2m	1K Platinum RTD (385 Curve) 1.2m Cable (PT1000)	€ 19.50
BA/1K-PP-2.0m	1K Platinum RTD (385 Curve) 2.0m Cable (PT1000)	€ 20.50
BA/1K-PP-5.0m	1K Platinum RTD (385 Curve) 5.0m Cable (PT1000)	€ 23.95
BA/1K-PP-10.0m	1K Platinum RTD (385 Curve) 10.0m Cable (PT1000)	€ 29.10

Termination Box

PART NUMBER:	DESCRIPTION:	PRICE:
BA/BBX-RP-LTF	BAPI-Box Crossover Enclosure with Wiring Gland	€8.60
-TB	Test & Balance Switch (This is an available option. Please add "-TB" to the end of the sensor part number to order.)	€6.50

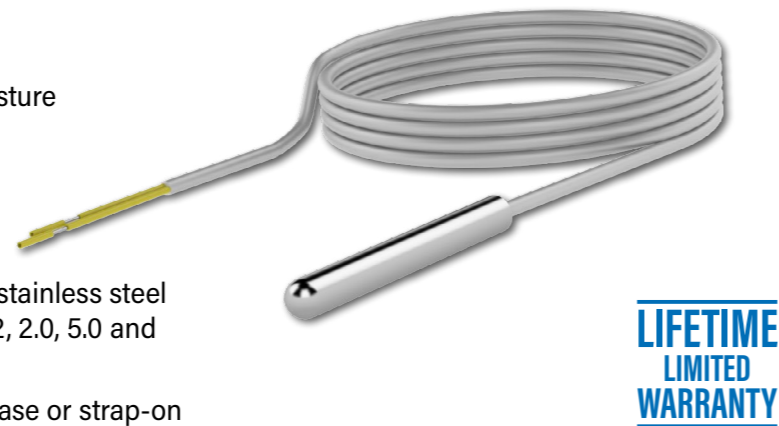
REMOTE PROBE

Temperature Sensors

- Double encapsulated sensor, more resistant to moisture
- Plenum-rated cable
- Multiple cable lengths available
- Lifetime limited warranty

Remote Temperature Probes feature a 44.5mm long stainless steel probe with plenum-rated cable leads in lengths of 1.2, 2.0, 5.0 and 10.0m.

Remote Probes are commonly used in refrigerated case or strap-on applications. They are ideal for hard-to-access areas or spaces where the usual Immersion or Duct Sensors do not fit well.



LIFETIME LIMITED WARRANTY

SPECIFICATIONS

ENVIRONMENTAL OPERATING RANGE:

Temperature: -40 to 70°C
Humidity: 0 to 100% RH, non-condensing

PROBE MATERIAL:

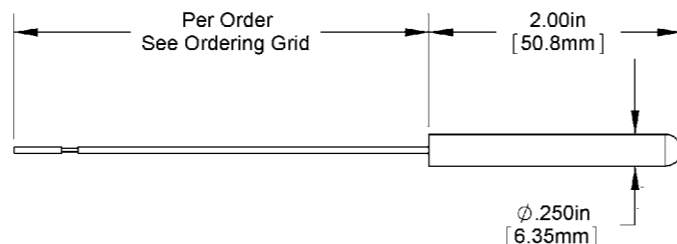
Stainless Steel

CABLE LEADS:

1.2, 2.0, 5.0 or 10.0m plenum-rated cable leads

TEMP SENSING ELEMENT & ACCURACY:

10K-2 Thermistor: ±0.2°C (0 to 70°C)
10K-3 Thermistor: ±0.2°C (0 to 70°C)
10K-4 Thermistor: ±0.2°C (0 to 70°C)
1K RTD: ±0.12% at 0°C (385 curve)



ORDERING

PART NUMBER:	DESCRIPTION:	PRICE:
BA/10K-2-RPP-1.2m	10K-2 Thermistor, 1.2m Cable, SS Probe	€ 16.90
BA/10K-2-RPP-2.0m	10K-2 Thermistor, 2.0m Cable, SS Probe	€ 17.95
BA/10K-2-RPP-5.0m	10K-2 Thermistor, 5.0m Cable, SS Probe	€ 21.40
BA/10K-2-RPP-10.0m	10K-2 Thermistor, 10.0m Cable, SS Probe	€ 26.55
BA/10K-3-RPP-1.2m	10K-3 Thermistor, 1.2m Cable, SS Probe	€ 16.90
BA/10K-3-RPP-2.0m	10K-3 Thermistor, 2.0m Cable, SS Probe	€ 17.95
BA/10K-3-RPP-5.0m	10K-3 Thermistor, 5.0m Cable, SS Probe	€ 21.40
BA/10K-3-RPP-10.0m	10K-3 Thermistor, 10.0m Cable, SS Probe	€ 26.55
BA/10K-4-RPP-1.2m	10K-4 Thermistor, 1.2m Cable, SS Probe	€ 16.90
BA/10K-4-RPP-2.0m	10K-4 Thermistor, 2.0m Cable, SS Probe	€ 17.95
BA/10K-4-RPP-5.0m	10K-4 Thermistor, 5.0m Cable, SS Probe	€ 21.40
BA/10K-4-RPP-10.0m	10K-4 Thermistor, 10.0m Cable, SS Probe	€ 26.55
BA/1K-RPP-1.2m	1K Platinum RTD (385 Curve) 1.2m Cable, SS Probe (PT1000)	€ 22.90
BA/1K-RPP-2.0m	1K Platinum RTD (385 Curve) 2.0m Cable, SS Probe (PT1000)	€ 23.95
BA/1K-RPP-5.0m	1K Platinum RTD (385 Curve) 5.0m Cable, SS Probe (PT1000)	€ 27.40
BA/1K-RPP-10.0m	1K Platinum RTD (385 Curve) 10.0m Cable, SS Probe (PT1000)	€ 32.55

Termination Box

PART NUMBER:	DESCRIPTION:	PRICE:
BA/BBX-RP-LTF	BAPI-Box Crossover Enclosure with Wiring Gland	€8.60
-TB	Test & Balance Switch (This is an available option. Please add "-TB" to the end of the sensor part number to order.)	€6.50

CONCAVE PROBE

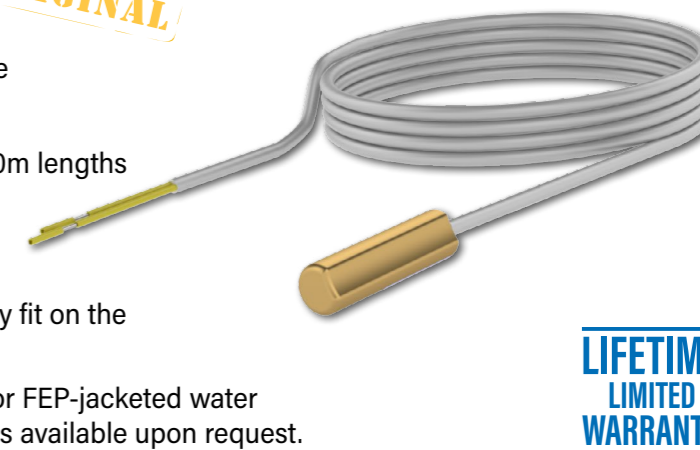
Temperature Sensors

ANOTHER ORIGINAL

- Double encapsulated sensor, more resistant to moisture
- 35mm long concave brass probe
- Plenum-rated cable or FEP-jacketed cable in 1.2 and 2.0m lengths
- Wide selection of temperature sensing elements

The Remote Concave Probes feature a 35mm long brass encapsulation shell with a concave indentation so that they fit on the outside of pipes such as condenser lines.

They come with two cable options: plenum-rated cable or FEP-jacketed water resistant cable in 1.2 and 2.0m lead lengths. Other lengths available upon request.



LIFETIME LIMITED WARRANTY

SPECIFICATIONS

ENVIRONMENTAL OPERATING RANGE:

Temperature: -40 to 105°C for FEP cable, -40 to 70°C for plenum-rated cable
Humidity: 0 to 100% RH, non-condensing

PROBE MATERIAL:

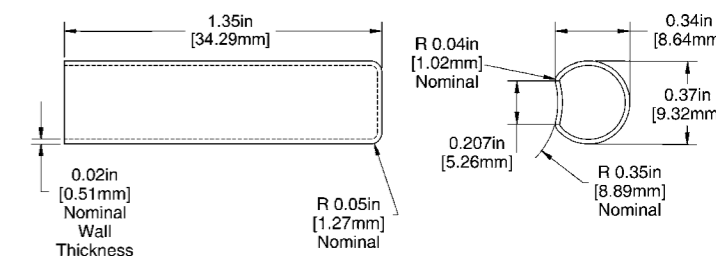
Brass

CABLE LEADS:

1.2 or 2.0m plenum-rated cable or FEP-jacketed cable leads

TEMP SENSING ELEMENT & ACCURACY:

10K-2 Thermistor: ±0.2°C (0 to 70°C)
10K-3 Thermistor: ±0.2°C (0 to 70°C)
10K-4 Thermistor: ±0.2°C (0 to 70°C)
1K RTD: ±0.12% at 0°C (385 curve)



ORDERING

PART NUMBER:	DESCRIPTION:	PRICE:
BA/10K-2-CPP-1.2m	10K-2 Thermistor, Concave Brass Probe, 1.2m Cable	€ 20.35
BA/10K-2-CPP-2.0m	10K-2 Thermistor, Concave Brass Probe, 2.0m Cable	€ 21.40
BA/10K-2-CPFEP-1.2m	10K-2 Thermistor, Concave Brass Probe, 1.2m FEP Cable	€ 22.40
BA/10K-2-CPFEP-2.0m	10K-2 Thermistor, Concave Brass Probe, 2.0m FEP Cable	€ 23.80
BA/10K-3-CPP-1.2m	10K-3 Thermistor, Concave Brass Probe, 1.2m Cable	€ 20.35
BA/10K-3-CPP-2.0m	10K-3 Thermistor, Concave Brass Probe, 2.0m Cable	€ 21.40
BA/10K-3-CPFEP-1.2m	10K-3 Thermistor, Concave Brass Probe, 1.2m FEP Cable	€ 22.40
BA/10K-3-CPFEP-2.0m	10K-3 Thermistor, Concave Brass Probe, 2.0m FEP Cable	€ 23.80
BA/10K-4-CPP-1.2m	10K-4 Thermistor, Concave Brass Probe, 1.2m Cable	€ 20.35
BA/10K-4-CPP-2.0m	10K-4 Thermistor, Concave Brass Probe, 2.0m Cable	€ 21.40
BA/10K-4-CPFEP-1.2m	10K-4 Thermistor, Concave Brass Probe, 1.2m FEP Cable	€ 22.40
BA/10K-4-CPFEP-2.0m	10K-4 Thermistor, Concave Brass Probe, 2.0m FEP Cable	€ 23.80
BA/1K-CPP-1.2m	1K Platinum RTD (385 Curve), Concave Brass Probe, 1.2m Cable (PT1000)	€ 26.35
BA/1K-CPP-2.0m	1K Platinum RTD (385 Curve), Concave Brass Probe, 2.0m Cable (PT1000)	€ 27.40
BA/1K-CPFEP-1.2m	1K Platinum RTD (385 Curve), Concave Brass Probe, 1.2m FEP Cable (PT1000)	€ 28.40
BA/1K-CPFEP-2.0m	1K Platinum RTD (385 Curve), Concave Brass Probe, 2.0m FEP Cable (PT1000)	€ 29.80

Termination Box

PART NUMBER:	DESCRIPTION:	PRICE:
BA/BBX-RP-LTF	BAPI-Box Crossover Enclosure with Wiring Gland	€8.60
-TB	Test & Balance Switch (This is an available option. Please add "-TB" to the end of the sensor part number to order.)	€6.50

SURFACE SENSOR

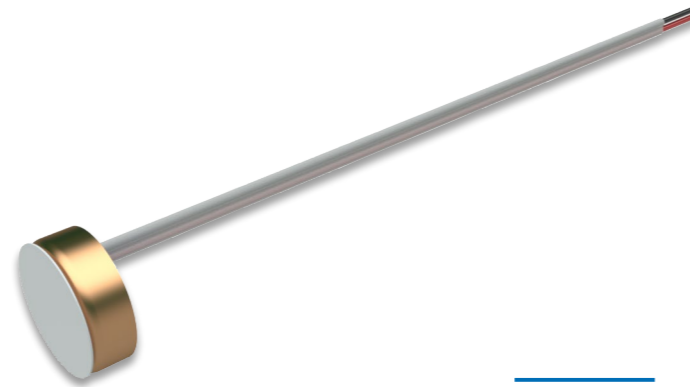
Temperature Sensors

- Copper encapsulation shell and thermal adhesive for increased temperature transfer
- Easy to install on flat surfaces
- FEP-Jacketed cable

The Surface Sensor features a 19mm diameter copper encapsulation shell with a thermally adhesive tape to mount on flat surfaces.

Surface Sensors are commonly used on glass windows and doors, solar panel modules, and other hard-to-access areas where a Remote Probe may be difficult to mount.

Unit includes a square closed-cell foam cover to isolate the sensor from the ambient air.



ANOTHER ORIGINAL

LIFETIME LIMITED WARRANTY

SPECIFICATIONS

ENVIRONMENTAL OPERATING RANGE:

Temperature: -40 to 105°C
Humidity: 0 to 100% RH, non-condensing

PROBE MATERIAL:

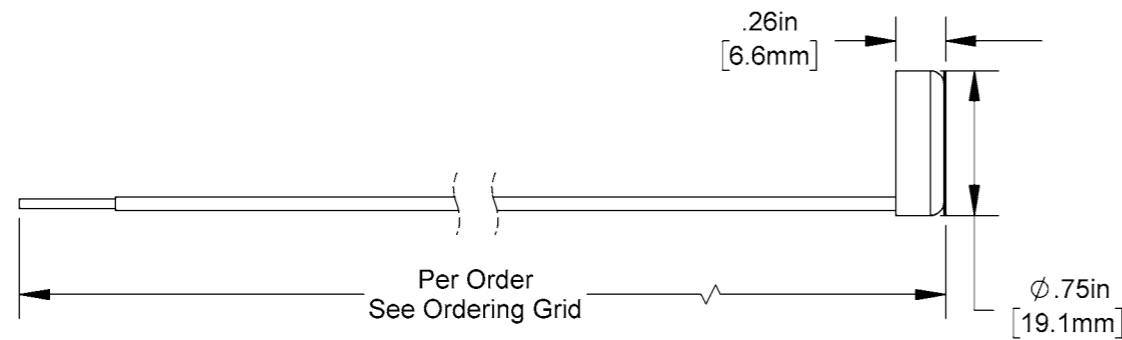
Copper 110

CABLE LEADS:

1.2 or 2.0m FEP-jacketed cable leads

TEMP SENSING ELEMENT & ACCURACY:

10K-2 Thermistor: ±0.2°C (0 to 70°C)
10K-3 Thermistor: ±0.2°C (0 to 70°C)
10K-4 Thermistor: ±0.2°C (0 to 70°C)
1K RTD: ±0.12% at 0°C (385 curve)



ORDERING

PART NUMBER:	DESCRIPTION:	PRICE:
BA/10K-2-SMFEP-1.2m	10K-2 Thermistor, Copper Encapsulation Shell, 1.2m FEP Cable	€ 31.90
BA/10K-2-SMFEP-2.0m	10K-2 Thermistor, Copper Encapsulation Shell, 2.0m FEP Cable	€ 33.30
BA/10K-3-SMFEP-1.2m	10K-3 Thermistor, Copper Encapsulation Shell, 1.2m FEP Cable	€ 31.90
BA/10K-3-SMFEP-2.0m	10K-3 Thermistor, Copper Encapsulation Shell, 2.0m FEP Cable	€ 33.30
BA/10K-4-SMFEP-1.2m	10K-4 Thermistor, Copper Encapsulation Shell, 1.2m FEP Cable	€ 31.90
BA/10K-4-SMFEP-2.0m	10K-4 Thermistor, Copper Encapsulation Shell, 2.0m FEP Cable	€ 33.30
BA/1K-SMFEP-1.2m	1K Platinum RTD (385 Curve), Copper Encapsulation Shell, 1.2m FEP Cable (PT1000)	€ 37.95
BA/1K-SMFEP-2.0m	1K Platinum RTD (385 Curve), Copper Encapsulation Shell, 2.0m FEP Cable (PT1000)	€ 39.35

THERMOBUFFER SENSOR

BAPI-Box Crossover

- Tracks temperature of contents inside a freezer or fridge
- BAPI-Box Crossover enclosure
- Stainless steel chamber
- Lifetime limited warranty

The BAPI Thermobuffer Temperature Sensor is used to simulate more closely the fridge or freezer contents rather than the air temperature. The Thermobuffer chamber allows for slower reaction to abrupt temperature changes, yet still maintains long-term accuracy if the change remains permanent.

The Thermobuffer chamber comes in two sizes, 25 and 100mm, and is designed to save valuable shelf space by mounting to the wall or by hanger in a fridge or freezer. The Thermobuffer chamber is machined in 304 stainless steel.

ANOTHER ORIGINAL



Comes with Wiring Gland

BAPI-Box Crossover with 50mm Chamber

LIFETIME LIMITED WARRANTY

SPECIFICATIONS

PROBE:

Stainless steel

WIRE:

22AWG Etched Teflon

BUFFER CHAMBER CONSTRUCTION:

304 stainless steel

ENVIRONMENTAL OPERATING RANGE:

Temperature: -40 to 85°C
Humidity: 0-100% RH, condensing

CHAMBER FLUID: CUSTOMER SUPPLIED:

Glycol Mix: Food grade required
25mm Chamber: ~7 ml of fluid
100mm Chamber: ~32 ml of fluid

ENCLOSURE MATERIAL & RATING:

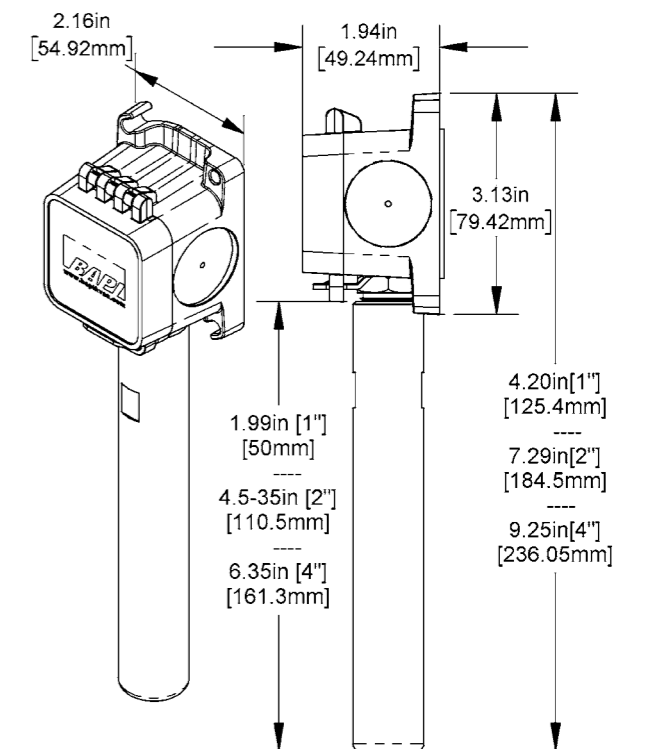
UV-resistant polycarbonate, UL94 V-0

ENCLOSURE RATING:

IP44 with knockout plug in open port

TEMP SENSING ELEMENT & ACCURACY:

10K-2 Thermistor: ±0.2°C (0 to 70°C)
10K-3 Thermistor: ±0.2°C (0 to 70°C)
10K-4 Thermistor: ±0.2°C (0 to 70°C)
1K RTD: ±0.12% at 0°C (385 curve)



ORDERING

PART NUMBER:	DESCRIPTION:	PRICE:
BA/10K-2-TB-M304-1-BBX	10K-2 Thermistor, BAPI-Box Crossover Enclosure with 25mm Thermobuffer	€ 84.45
BA/10K-2-TB-M304-4-BBX	10K-2 Thermistor, BAPI-Box Crossover Enclosure with 100mm Thermobuffer	€ 180.95
BA/10K-3-TB-M304-1-BBX	10K-3 Thermistor, BAPI-Box Crossover Enclosure with 25mm Thermobuffer	€ 84.45
BA/10K-3-TB-M304-4-BBX	10K-3 Thermistor, BAPI-Box Crossover Enclosure with 100mm Thermobuffer	€ 180.95
BA/10K-4-TB-M304-1-BBX	10K-4 Thermistor, BAPI-Box Crossover Enclosure with 25mm Thermobuffer	€ 84.45
BA/10K-4-TB-M304-4-BBX	10K-4 Thermistor, BAPI-Box Crossover Enclosure with 100mm Thermobuffer	€ 180.95
BA/1K-TB-M304-1-BBX	1K Platinum RTD (385 Curve), BAPI-Box Crossover Enclosure with 25mm Thermobuffer (PT1000)	€ 89.45
BA/1K-TB-M304-4-BBX	1K Platinum RTD (385 Curve), BAPI-Box Crossover Enclosure with 100mm Thermobuffer (PT1000)	€ 186.95
- TB	Test & Balance Switch (This is an available option. Please add "TB" to the end of the sensor part number to order.)	€6.50

HUMIDITY



BAPI-STAT "QUANTUM" HUMIDITY SENSOR

Room Temperature & Humidity Sensor

ANOTHER ORIGINAL



- Modern enclosure design
- Optional temperature setpoint adjustment and occupant override
- Temperature, humidity and room occupancy status display
- Wide selection of temperature sensing elements

The BAPI-Stat "Quantum" room sensors feature a modern enclosure style with slider setpoint adjustment and occupancy override.

The optional LCD can display both temperature and humidity as well as room occupancy status. The display has been upgraded for higher contrast, providing improved clarity at greater distances.

SPECIFICATIONS

POWER:

10 to 35 VDC for 4 to 20 mA or 0 to 5 VDC Output
 15 to 35 VDC for 0 to 10 VDC Output
 12 to 24 VAC for 0 to 5 VDC Output
 15 to 28 VAC for 0 to 10 VDC Output
 (AC power requires a separate pair of shielded wires.)

POWER CONSUMPTION:

20 mA max. for 4 to 20 mA Output
 4 mA max. for 0 to 5 VDC and 0 to 10 VDC Output
 0.1 VA max. for 0 to 5 VDC and 0 to 10 VDC Output

RH/TEMP SENSOR CONSTRUCTION:

Communicating Integrated Circuit
 Humidity: Capacitive Polymer: $\pm 2\%$ RH @ 25°C, 20 to 80% RH
 Temp: Semi-conductor Band Gap: $\pm 0.3^\circ\text{C}$ @ 20 to 40°C

FIELD CALIBRATION ADJUSTMENT:

$\pm 5\%$ in 0.1% increments (Factory Calibrated)

WIRING:

2 to 6 pair of 16 to 22 AWG

ENVIRONMENTAL OPERATING RANGE:

Temperature: 0 to 50°C
 Humidity: 0 to 95% RH, non-condensing

MOUNTING:

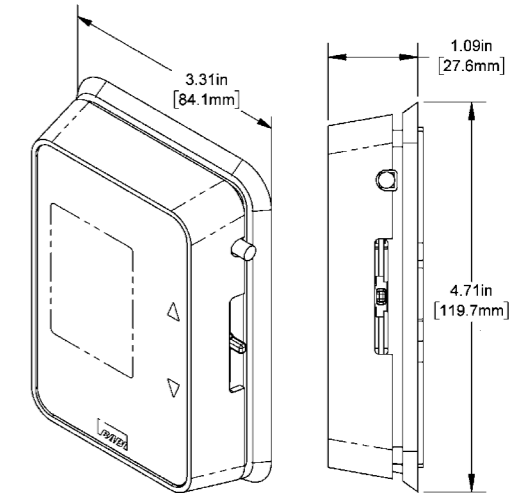
Universal backplate (screws provided)

ENCLOSURE MATERIAL & RATING:

ABS Plastic, UL94 V-0

TEMP SENSING ELEMENT & ACCURACY:

10K-2 Thermistor: $\pm 0.2^\circ\text{C}$ (0 to 70°C)
 10K-3 Thermistor: $\pm 0.2^\circ\text{C}$ (0 to 70°C)
 10K-4 Thermistor: $\pm 0.2^\circ\text{C}$ (0 to 70°C)
 1K RTD: $\pm 0.12\%$ at 0°C (385 curve)



ORDERING

PART NUMBER:	DESCRIPTION:	PRICE:
BA/HQ60C-B-C-1-C10-J	Display/10K-2 Thermistor/Temp Setpoint: 10 to 32°C/%RH Measurement: 0 to 100%/Override	€ 279.30
BA/HQ60C-C-C-1-C10-J	Display/10K-3 Thermistor/Temp Setpoint: 10 to 32°C/%RH Measurement: 0 to 100%/Override	€ 279.30
BA/HQ60C-V-C-1-C10-J	Display/10K-4 Thermistor/Temp Setpoint: 10 to 32°C/%RH Measurement: 0 to 100%/Override	€ 279.30
BA/HQ60C-A-C-1-C10-J	Display/1K Platinum RTD/Temp Setpoint: 10 to 32°C/%RH Measurement: 0 to 100%/Override	€ 285.30
BA/HQ60C-B-C-1-A10-J	Display/10K-2 Thermistor/Temp Setpoint: -3 to +3°/RH Measurement: 0 to 100%/Override	€ 279.30
BA/HQ60C-C-C-1-A10-J	Display/10K-3 Thermistor/Temp Setpoint: -3 to +3°/RH Measurement: 0 to 100%/Override	€ 279.30
BA/HQ60C-V-C-1-A10-J	Display/10K-4 Thermistor/Temp Setpoint: -3 to +3°/RH Measurement: 0 to 100%/Override	€ 279.30
BA/HQ60C-A-C-1-A10-J	Display/1K Platinum RTD/Temp Setpoint: -3 to +3°/RH Measurement: 0 to 100%/Override	€ 285.30
BA/HQ60X-B-C-X-XX-X	No Display/10K-2 Thermistor/%RH Measurement: 0 to 100%/No Override	€ 239.65
BA/HQ60X-C-C-X-XX-X	No Display/10K-3 Thermistor/%RH Measurement: 0 to 100%/No Override	€ 239.65
BA/HQ60X-V-C-X-XX-X	No Display/10K-4 Thermistor/%RH Measurement: 0 to 100%/No Override	€ 239.65
BA/HQ60X-A-C-X-XX-X	No Display/1K Platinum RTD/%RH Measurement: 0 to 100%/No Override	€ 245.65

NOTE: Temperature Setpoint and %RH Measurement all have 0 to 10V Output

BAPI-STAT "QUANTUM PRIME" HUMIDITY SENSOR

Room Temperature & Humidity Sensor

- Modern enclosure design
- Membrane keypad for wipedown cleaning
- Temperature, humidity and room occupancy status display
- Great choice for operating rooms, clean rooms and elder care facilities

The BAPI-Stat "Quantum Prime" Wipedown Sensor is designed for operating rooms, clean rooms and elder care facilities. It features a large display and membrane keypad for wipedown cleaning. It is available with temperature and humidity measurement, temperature and humidity setpoint and occupant override.

The unit includes a number of field adjustments including °C or °F display, temperature and humidity offset and setpoint lockout. The display can also be set to show a large temperature and small %RH reading, a large %RH and a small temperature reading, or to alternate between the two. This unit can be configured with up to four transmitted variables.



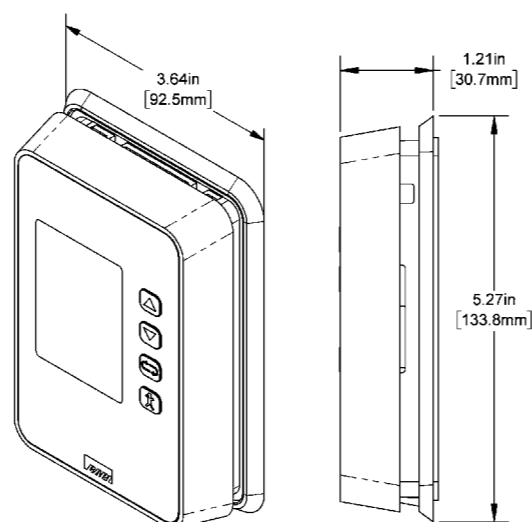
ANOTHER ORIGINAL



SPECIFICATIONS

POWER:	15 to 35 VDC for 0 to 10 VDC output 15 VAC to 28 VAC for 0 to 10 VDC output* Note: 15 to 24 VDC recommended for VDC unit.
POWER CONSUMPTION:	10 mA max. DC: 0 to 10 VDC Output 0.2 VA max. AC: 0 to 10 VDC Output
RH/TEMP SENSOR CONSTRUCTION:	Communicating Integrated Circuit Humidity: Capacitive Polymer: ±2% RH @ 25°C, 20 to 80% RH Temperature: Semi-conductor Band Gap: ±0.3°C @ 20 to 40°C
MOUNTING:	Universal backplate (screws provided)
ENVIRONMENTAL OPERATING RANGE:	Temperature: 0 to 50°C Humidity: 0 to 95% RH, non-condensing
WIRING:	2 to 5 pair of 16 to 22 AWG
ENCLOSURE MATERIAL & RATING:	ABS Plastic, UL94 V-0

TEMP SENSING ELEMENT & ACCURACY:	10K-2 Thermistor: ±0.2°C (0 to 70°C) 10K-3 Thermistor: ±0.2°C (0 to 70°C) 10K-4 Thermistor: ±0.2°C (0 to 70°C) 1K RTD: ±0.12% at 0°C (385 curve)
---	---



ORDERING

PART NUMBER:	DESCRIPTION:	PRICE:
BA/HQP60C2-7C-16M-X-60CG-B	10K-2 Thermistor/Temp Setpoint: 10 to 32°C/%RH Measurement: 0 to 100%/Override	€ 343.10
BA/HQP60C2-7C-16M-X-60CG-C	10K-3 Thermistor/Temp Setpoint: 10 to 32°C/%RH Measurement: 0 to 100%/Override	€ 343.10
BA/HQP60C2-7C-16M-X-60CG-V	10K-4 Thermistor/Temp Setpoint: 10 to 32°C/%RH Measurement: 0 to 100%/Override	€ 343.10
BA/HQP60C2-7C-16M-X-60CG-A	1K Platinum RTD/Temp Setpoint: 10 to 32°C/%RH Measurement: 0 to 100%/Override	€ 349.10
BA/HQP60C2-6C-16M-25C10CG-60CG-X	Temp: 10 to 32°C, 0 to 10V/Temp Setpoint: 10 to 32°C/%RH Measurement: 0 to 100%/Override	€ 370.65
BA/HQP60C2-8M-16M-25C10CG-60CG-B	10K-2 Thermistor/Temp Setpoint: 10 to 32°C/%RH Measurement & Setpoint: 0 to 100%/Override	€ 386.20
BA/HQP60C2-8M-16M-25C10CG-60CG-C	10K-3 Thermistor/Temp Setpoint: 10 to 32°C/%RH Measurement & Setpoint: 0 to 100%/Override	€ 386.20
BA/HQP60C2-8M-16M-25C10CG-60CG-V	10K-4 Thermistor/Temp Setpoint: 10 to 32°C/%RH Measurement & Setpoint: 0 to 100%/Override	€ 386.20
BA/HQP60C2-8M-16M-25C10CG-60CG-A	1K Platinum RTD/Temp Setpoint: 10 to 32°C/%RH Measurement & Setpoint: 0 to 100%/Override	€ 392.20
BA/HQP60C2-6C-16M-25C10CG-47M10CG-61CG-X	Temp: 10 to 32°C, 0 to 10V/Temp Setpoint: 10 to 32°C/%RH Measurement & Setpoint: 0 to 100%/Override	€ 413.75

NOTE: Temperature Setpoint, %RH Measurement and %RH Setpoint all have 0 to 10V Output

OUTSIDE AIR TEMPERATURE AND HUMIDITY SENSOR

BAPI-Box 2

ANOTHER ORIGINAL



- 10 points of calibration from 10 to 90%RH
- Humidity only or temperature/humidity combination
- BAPI-Box 2 IP66-Rated Enclosure style
- 2% RH accuracy

Humidity control is an important aspect of any climate control system. Therefore, humidity sensors must be both accurate and dependable. BAPI's humidity sensors are calibrated at 10 points from 10 to 90% RH for accuracy, eliminating field calibration.

The BAPI-Box 2 is made of UV-resistant polycarbonate and has an IP66 rating.

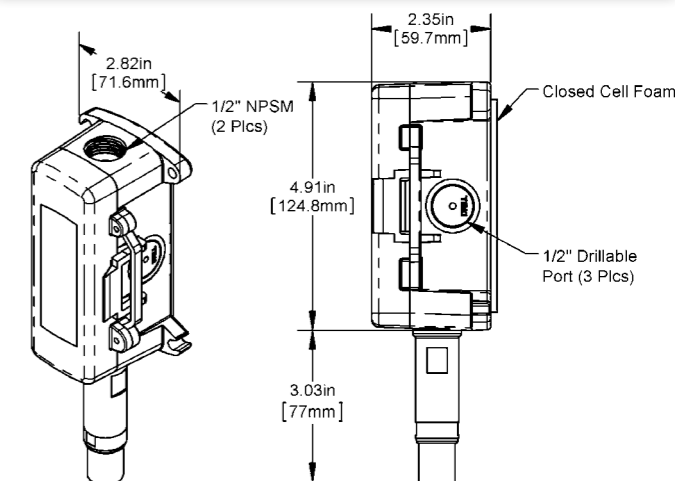
SPECIFICATIONS

POWER AND CONSUMPTION:	10 to 35 VDC, 22 mA max. (for 0 to 5 VDC or 4 to 20 mA humidity outputs) 15 to 35 VDC, 6 mA max. (for 0 to 10 VDC humidity output) 12 to 27 VAC, 0.53 VA max. (for 0 to 5 VDC humidity outputs) 15 to 27 VAC, 0.14 VA max. (for 0 to 10 VDC humidity output)
SENSOR:	Humidity: Capacitive ±2% RH (10 to 90% RH @ 23°C) Temperature: Multiple options available, see sensor specifications section
ENCLOSURE MATERIAL & RATING:	IP66 rated, UV-resistant, UL94 V-0 polycarbonate
FILTER MATERIAL:	80 micron sintered stainless steel
ENVIRONMENTAL OPERATING RANGE:	Temperature: -40 to 70°C Humidity: 0% to 100% RH Fully Temperature Compensated
TEMP SENSING ELEMENT & ACCURACY:	10K-2 Thermistor: ±0.2°C (0 to 70°C) 10K-3 Thermistor: ±0.2°C (0 to 70°C) 10K-4 Thermistor: ±0.2°C (0 to 70°C) 1K RTD: ±0.12% at 0°C (385 curve)

ALSO AVAILABLE: Weather Shade

External temperature, humidity and air quality sensors can be affected by solar heat gain. The BAPI Weather Shade effectively blocks the solar heat gain, improving the accuracy of the sensor.

See page 60 to learn more.



ORDERING

Humidity Only

PART NUMBER:	DESCRIPTION:	PRICE:
BA/H200-O-BB2	4 to 20 mA or 0-5 V, IP66 BAPI-Box 2 Enclosure with Stainless Steel Filter, ±2%RH 10 to 90% RH	€ 217.20
BA/H210-O-BB2	0 to 10 V, IP66 BAPI-Box 2 Enclosure with Stainless Steel Filter, ±2% RH 10 to 90% RH	€ 217.20

Temperature and Humidity Combination

PART NUMBER:	DESCRIPTION:	PRICE:
BA/10K-2-H200-O-BB2	10K-2 Thermistor/%RH: 0 to 100% Range, 4 to 20mA or 0 to 5V interchangeable Output	€ 232.75
BA/10K-3-H200-O-BB2	10K-3 Thermistor/%RH: 0 to 100% Range, 4 to 20mA or 0 to 5V interchangeable Output	€ 232.75
BA/10K-4-H200-O-BB2	10K-4 Thermistor/%RH: 0 to 100% Range, 4 to 20mA or 0 to 5V interchangeable Output	€ 232.75
BA/1K-H200-O-BB2	1K Platinum RTD/%RH: 0 to 100% Range, 4 to 20mA or 0 to 5V interchangeable Output	€ 238.75
BA/10K-2-H210-O-BB2	10K-2 Thermistor/%RH: 0 to 100% Range, 0 to 10V Output	€ 232.75
BA/10K-3-H210-O-BB2	10K-3 Thermistor/%RH: 0 to 100% Range, 0 to 10V Output	€ 232.75
BA/10K-4-H210-O-BB2	10K-4 Thermistor/%RH: 0 to 100% Range, 0 to 10V Output	€ 232.75
BA/1K-H210-O-BB2	1K Platinum RTD /%RH: 0 to 100% Range, 0 to 10V Output	€ 238.75

DUCT TEMPERATURE AND HUMIDITY SENSOR

BAPI-Box Crossover

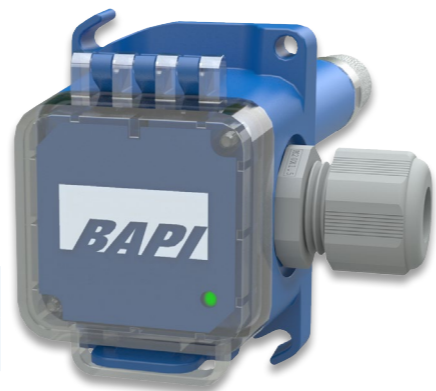
ANOTHER ORIGINAL

- 10 points of calibration from 10 to 90% RH
- Humidity only or temperature/humidity combination
- Green power indication LED
- 2% RH accuracy

Humidity control is an important aspect of any climate control system. Therefore, humidity sensors must be both accurate and dependable. BAPI's humidity sensors are calibrated at 10 points from 10 to 90% RH for accuracy, eliminating field calibration.

The Duct Units are also extremely dependable and durable. The BAPI-Box Crossover cover enclosure is made of UV-resistant polycarbonate with a nylon base.

5 YEAR WARRANTY



SPECIFICATIONS

POWER AND CONSUMPTION:

- 10 to 35 VDC, 22 mA max. (for units with 0 to 5 VDC or 4 to 20 mA humidity outputs)
- 15 to 35 VDC, 6 mA max. (for units with 0 to 10 VDC humidity output)
- 12 to 27 VAC, 0.53 VA max. (for units with 0 to 5 VDC humidity outputs)
- 15 to 27 VAC, 0.14 VA max. (for units with 0 to 10 VDC humidity output)

ENVIRONMENTAL OPERATING RANGE:

- Temperature: -40 to 70°C
- Humidity: 0% to 100% RH
- Fully Temperature Compensated

SENSING ELEMENTS:

- Humidity: Capacitive $\pm 2\%$ RH (10 to 90% RH @ 23°C)
- Temperature: Multiple options available, see sensor specifications section

ENCLOSURE MATERIAL & RATING:

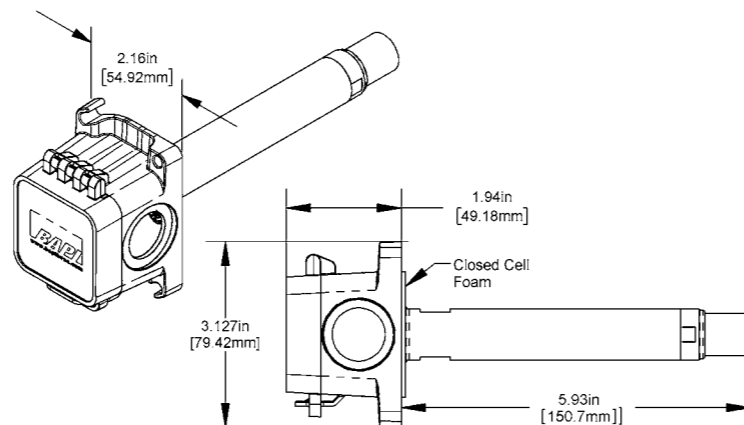
- UV-resistant, UL94 V-0 polycarbonate cover and nylon base

FILTER MATERIAL:

- 80 micron sintered stainless steel

TEMP SENSING ELEMENT & ACCURACY:

- 10K-2 Thermistor: $\pm 0.2^\circ\text{C}$ (0 to 70°C)
- 10K-3 Thermistor: $\pm 0.2^\circ\text{C}$ (0 to 70°C)
- 10K-4 Thermistor: $\pm 0.2^\circ\text{C}$ (0 to 70°C)
- 1K RTD: $\pm 0.12\%$ at 0°C (385 curve)



ORDERING

Humidity Only

PART NUMBER:	DESCRIPTION:	PRICE:
BA/H200-D-BBX	4 to 20 mA or 0 to 5 V, BAPI-Box Crossover Enclosure with Stainless Steel Filter, $\pm 2\%$ RH 10 to 90% RH	€ 206.90
BA/H210-D-BBX	0 to 10 V, BAPI-Box Crossover Enclosure with Stainless Steel Filter, $\pm 2\%$ RH 10 to 90% RH	€ 206.90

Temperature and Humidity Combination

PART NUMBER:	DESCRIPTION:	PRICE:
BA/10K-2-H200-D-BBX	10K-2 Thermistor/%RH: 0 to 100% Range, 4 to 20 mA or 0 to 5 V interchangeable Output	€ 222.40
BA/10K-3-H200-D-BBX	10K-3 Thermistor/%RH: 0 to 100% Range, 4 to 20 mA or 0 to 5 V interchangeable Output	€ 222.40
BA/10K-4-H200-D-BBX	10K-4 Thermistor/%RH: 0 to 100% Range, 4 to 20 mA or 0 to 5 V interchangeable Output	€ 222.40
BA/1K-H200-D-BBX	1K Platinum RTD/%RH: 0 to 100% Range, 4 to 20 mA or 0 to 5 V interchangeable Output	€ 228.40
BA/10K-2-H210-D-BBX	10K-2 Thermistor/%RH: 0 to 100% Range, 0 to 10 V Output	€ 222.40
BA/10K-3-H210-D-BBX	10K-3 Thermistor/%RH: 0 to 100% Range, 0 to 10 V Output	€ 222.40
BA/10K-4-H210-D-BBX	10K-4 Thermistor/%RH: 0 to 100% Range, 0 to 10 V Output	€ 222.40
BA/1K-H210-D-BBX	1K Platinum RTD/%RH: 0 to 100% Range, 0 to 10 V Output	€ 228.40

PRESSURE



EZ PRESSURE SENSOR

Standard and Low Ranges

- 10 pressure ranges & 3 output options — all field selectable
- Standard or low range units
- NIST certificate included with each pressure unit
- DIN rail or surface mounting

Measuring building pressure, air velocities and volumes doesn't get any easier than with the BAPI EZ Pressure Sensor. The revolutionary mounting system allows for DIN rail or surface mounting, and the three output options and 10 pressure ranges are field selectable by simply turning the rotary switch and pressing the "Next" button.

Besides being easy to set up and install, it is also accurate, rugged and economical. The heart of the unit is a micro-machined silicon pressure sensor with excellent accuracy, repeatability and stability. The unit also features short circuit proof outputs and reverse polarity protected inputs to perform under real world conditions.

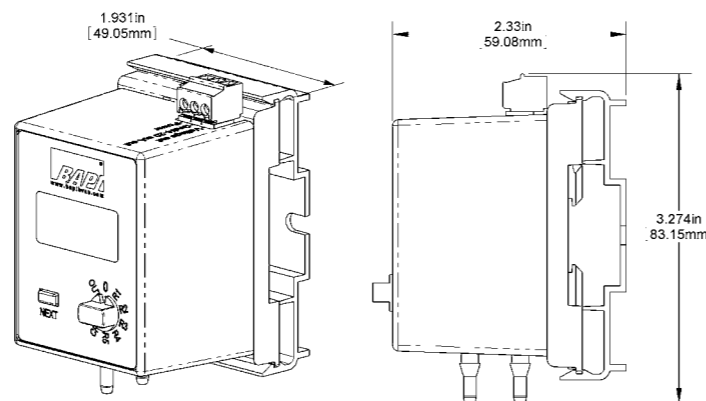


ANOTHER ORIGINAL

SPECIFICATIONS

POWER:	7 to 40 VDC (4 to 20 mA output) 7 to 40 VDC or 18 to 28 VAC (0 to 5 VDC output) 13 to 40 VDC or 18 to 28 VAC (0 to 10 VDC output)
POWER CONSUMPTION:	20 mA max, DC only at 4 to 20 mA output 4.9 mA max DC at 0 to 5 or 0 to 10 VDC output 0.12 VA max AC at 0 to 5 or 0 to 10 VDC output
LOAD RESISTANCE:	4 to 20 mA output 850 Ω maximum @ 24 VDC 0 to 5 VDC or 0 to 10 VDC output 1KΩ minimum
STABILITY:	±0.25% F.S. per year
ENVIRONMENTAL OPERATING RANGE:	Temperature: -10 to 60°C
STORAGE TEMPERATURE:	-40 to 95°C
OVERPRESSURE:	Proof: 2768" W.C. (1 PSI), Burst: 41.52" W.C. (1.5 PSI)
WIRING:	Removable terminal block (14 to 24 AWG) 2 wires (4 to 20mA Current loop) 3 wires (AC or DC powered, Voltage out)
HUMIDITY:	0 to 95% RH, non-condensing

MOUNTING:	DIN Rail or Surface Mount
ACCURACY FOR STANDARD PRESSURE RANGES AT 22°C:	±0.25% of range
ACCURACY FOR LOW PRESSURE RANGES AT 22°C:	±0.5% of range for the three lowest unidirectional and bidirectional ranges ±0.25% of range all other ranges
PORT CONNECTION:	6mm tubing (3 to 4mm I.D.)
ENCLOSURE MATERIAL:	ABS Plastic, UL94 V-0



ORDERING

PART NUMBER:	DESCRIPTION:	PRICE:
ZPS-LR-EZ-ST-PA	Low Range, -250 to 250 Pa with Static Pressure Tube, Display, Field Selectable Ranges and Outputs	€ 275.85
ZPS-SR-EZ-ST-PA	Standard Range, -1250 to 1,250 Pa with Static Pressure Tube, Display, Field Selectable Ranges and Outputs	€ 275.85

ZPM BAPI-BOX PRESSURE SENSOR

Differential Air Pressure Sensor

- 10 pressure ranges & 5 output options
- Rugged IP66-rated enclosure
- Ranges and outputs can be set without power
- Line of sight troubleshooting with cover display and status LEDs
- Non-flow-through sensor so there's no cross contamination of air

BAPI's Zone Pressure Multi-Sensor is the most flexible pressure sensor on the market. Output, range, units, directionality, and response time are quickly set in the field without power.

The optional display aids in troubleshooting by showing the actual pressure regardless of the selected range. The display and status LEDs provide line-of-sight troubleshooting without accessing the BAS. NIST certificate included with each unit at no extra charge.

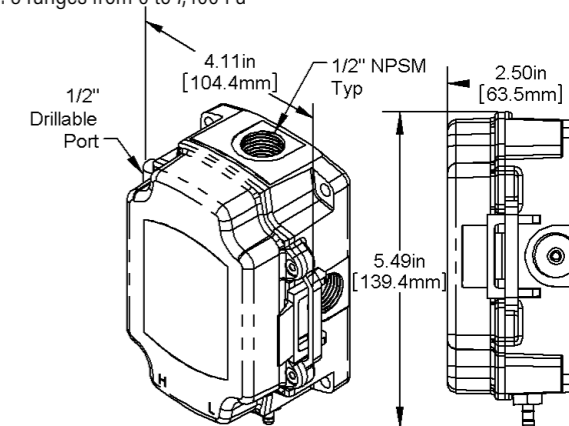


ANOTHER ORIGINAL

SPECIFICATIONS

POWER:	7 to 40 VDC (4 to 20 mA output) 7 to 40 VDC or 18 to 32 VAC (0 to 5 or 1 to 5 V output) 13 to 40 VDC or 18 to 32 VAC (0 to 10 or 2 to 10 V output)
POWER CONSUMPTION:	20 mA max, DC only at 4 to 20 mA output 5.2 mA max DC at 0 to 5 VDC or 0 to 10 VDC output 0.12 VA max AC at 0 to 5 VDC or 0 to 10 VDC output
LOAD RESISTANCE:	4 to 20 mA output 850Ω maximum @ 24 VDC 0 to 5 V or 0 to 10 V output 6K to 10KΩ minimum
STABILITY:	±0.25% FS per year
ENVIRONMENTAL OPERATING RANGE:	Temperature: -20 to 60°C Humidity: 0 to 95% RH, non-condensing
OVERPRESSURE:	Low Range: Proof: 67kPa Standard Range: Proof: 74kPa High Range: Proof: 87kPa
WIRING:	2 wires (4 to 20mA Current loop, 3 wires (AC or DC powered, Voltage out)

PORT SIZE:	6mm tubing (3 to 4mm I.D.)
ENCLOSURE MATERIAL:	UV-resistant polycarbonate, UL94 V-0
ACCURACY: (±0.25% FS at 72°F (22°C) for all units)	Low Range Unit: ±1.24 Pa Standard Range Unit: ±6.22 Pa High Range Unit: ±18.66 Pa
PRESSURE RANGES:	Low: 10 ranges from -250 to 250 Pa Standard: 10 ranges from -1,250 to 1,250 Pa High: 5 ranges from 0 to 7,400 Pa



ORDERING

PART NUMBER:	DESCRIPTION:	PRICE:
BA/ZPM-LR-ST-D-BB	Low Range, -250 to 250 Pa with Static Pressure Tube, Display, IP66 BAPI-Box, Field Selectable Ranges and Outputs	€ 331.85
BA/ZPM-LR-AT-D-BB	Low Range, -250 to 250 Pa with Attached Static Pressure Tube, Display, IP66 BAPI-Box, Field Selectable Ranges and Outputs	€ 331.85
BA/ZPM-SR-ST-D-BB	Standard Range, -1,250 to 1,250 Pa with Static Pressure Tube, Display, IP66 BAPI-Box, Field Selectable Ranges and Outputs	€ 331.85
BA/ZPM-SR-AT-D-BB	Standard Range, -1,250 to 1,250 Pa with Attached Static Pressure Tube, Display, IP66 BAPI-Box, Field Selectable Ranges and Outputs	€ 331.85
BA/ZPM-HR-ST-D-BB	High Range, 0 to 7,400 Pa with Static Pressure Tube, Display, IP66 BAPI-Box, Field Selectable Ranges and Outputs	€ 331.85
BA/ZPM-HR-AT-D-BB	High Range, 0 to 7,400 Pa with Attached Static Pressure Tube, Display, IP66 BAPI-Box, Field Selectable Ranges and Outputs	€ 331.85
BA/ZPM-LR-ST-ND-BB	Low Range, -250 to 250 Pa with Static Pressure Tube, No Display, IP66 BAPI-Box, Field Selectable Ranges and Outputs	€ 331.85
BA/ZPM-SR-ST-ND-BB	Standard Range, -1,250 to 1,250 Pa with Static Pressure Tube, No Display, IP66 BAPI-Box, Field Selectable Ranges and Outputs	€ 331.85
BA/ZPM-HR-ST-ND-BB	High Range, 0 to 7,400 Pa with Static Pressure Tube, No Display, IP66 BAPI-Box, Field Selectable Ranges and Outputs	€ 331.85

ZONE PRESSURE MULTI SENSOR (ZPM)

Standard, Low and High Ranges

- 10 pressure ranges & 5 output options — all field selectable
- Standard, low and high range units
- Ranges and outputs can be set without power
- Optional display shows pressure of entire operation

BAPI's Zone Pressure Multi-Sensor is the most flexible pressure sensor on the market. Output, range, units, direction, and response time are quickly set in the field without powering the unit.

The optional LCD helps with troubleshooting because it displays the actual differential pressure over the entire operational range regardless of which individual pressure range is selected for output to the system controller. Three LEDs on the face of the unit indicate when the pressure is "Out of Range Low", "In Range" or "Out of Range High".



SPECIFICATIONS

POWER:

7 to 40 VDC (4 to 20 mA output)
7 to 40 VDC or 18 to 32 VAC (0 to 5 or 1 to 5 V output)
13 to 40 VDC or 18 to 32 VAC (0 to 10 or 2 to 10 V output)

POWER CONSUMPTION:

20 mA max, DC only at 4 to 20 mA output
4.9 mA max DC at 0 to 5 VDC or 0 to 10 VDC output
0.12 VA max AC at 0 to 5 VDC or 0 to 10 VDC output

LOAD RESISTANCE:

4 to 20 mA Output 850 Ω maximum @ 24 VDC, 0 to 5 V or 0 to 10 V output 6K to 10KΩ minimum

STABILITY:

±0.25% Full Scale per year

ENVIRONMENTAL OPERATING RANGE:

Temperature: -20 to 60°C

STORAGE TEMPERATURE:

-40 to 95°C

OVERPRESSURE:

Proof: 75kPa, Burst: 128kPa

HUMIDITY:

0 to 95% RH, non-condensing

WIRING:

2 wires (4 to 20mA Current loop)*, 3 wires (AC or DC powered, Voltage out)

PORT SIZE:

6mm tubing (3 to 4mm I.D.)

ENCLOSURE MATERIAL:

UV-resistant polycarbonate UL94, V-0

ACCURACY FOR STANDARD PRESSURE RANGES AT 22°C:

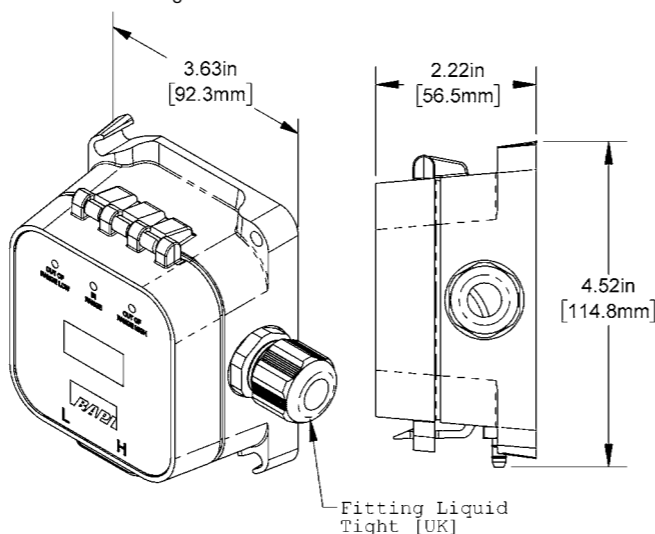
±0.25% of range

ACCURACY FOR LOW PRESSURE RANGES AT 22°C:

±0.5% of range for the three lowest unidirectional and bidirectional ranges
±0.25% of range all other ranges

ACCURACY FOR HIGH PRESSURE RANGES AT 22°C:

±0.25% on all ranges



ORDERING

PART NUMBER:	DESCRIPTION:	PRICE:
BA/ZPM-LR-ST-D	Low Range, -250 to 250 Pa with Static Pressure Tube, Display, IP44, Field Selectable Ranges and Outputs	€ 275.85
BA/ZPM-LR-AT-D	Low Range, -250 to 250 Pa with Attached Static Pressure Tube, Display, IP44, Field Selectable Ranges and Outputs	€ 275.85
BA/ZPM-SR-ST-D	Standard Range, -1,250 to 1,250 Pa with Static Pressure Tube, Display, IP44, Field Selectable Ranges and Outputs	€ 275.85
BA/ZPM-SR-AT-D	Standard Range, -1,250 to 1,250 Pa with Attached Static Pressure Tube, Display, IP44, Field Selectable Ranges & Outputs	€ 275.85
BA/ZPM-HR-ST-D	High Range, 0 to 7,400 Pa with Static Pressure Tube, Display, IP44, Field Selectable Ranges and Outputs	€ 275.85
BA/ZPM-HR-AT-D	High Range, 0 to 7,400 Pa with Attached Static Pressure Tube, Display, IP44, Field Selectable Ranges and Outputs	€ 275.85
BA/ZPM-LR-ST-ND	Low Range, -250 to 250 Pa with Static Pressure Tube, No Display, IP44, Field Selectable Ranges and Outputs	€ 275.85
BA/ZPM-SR-ST-ND	Standard Range, -1,250 to 1,250 Pa with Static Pressure Tube, No Display, IP44, Field Selectable Ranges and Outputs	€ 275.85
BA/ZPM-HR-ST-ND	High Range, 0 to 7,400 Pa with Static Pressure Tube, No Display, IP44, Field Selectable Ranges and Outputs	€ 275.85

BECK ADJUSTABLE PRESSURE SWITCH

Pressure Switch

- Field adjustable
- Designed for monitoring overpressure, vacuum, and differential pressure
- Can monitor other non-combustible or non-aggressive gases
- Tubing and two total probes included

The Beck Adjustable Pressure Switch is designed for monitoring overpressure, vacuum and differential pressure of air or other non-combustible, non-aggressive gases. A field-adjustable dial allows you to select any trip value within each pressure range. Tubing and two total probes included.

Possible Applications:

- Monitoring air filters and fan status
- Monitoring industrial cooling-air circuits
- Monitoring flows in ventilation ducts
- Used as an air flow proving switch for heater control and frost prevention circuits



SPECIFICATIONS

BURST PRESSURE:

10kPa for all pressure ranges

MEDIUM:

Air, non-combustible and non-aggressive gases

ENVIRONMENTAL OPERATING RANGE:

Temperature: -20 to 85°C

STORAGE TEMPERATURE:

-40 to 85°C

ACCURACY:

Deviation: ≤±15%, min. ±10 Pa • Drift: ≤±15%

DIAPHRAGM MATERIAL:

Silicone, tempered at 200°C, free of gas emissions.

PRESSURE CONNECTIONS:

2 plastic pipe connection pieces, external dia. 6mm
Marked "+" to higher pressure, marked "-" to lower pressure

BODY AND COVER MATERIAL:

UV-resistant plastic

MECHANICAL WORKING LIFE:

Over 1,000,000 switching operations.

ELECTRICAL RATING:

0.4A Inductive, 250 VAC • 1.5A Resistive, 250 VAC
0.8A Inductive, 125 VAC • 3.0A Resistive, 125 VAC
0.4A, 30VDC • 0.1A, 24 VDC

ORDERING

PART NUMBER:	DESCRIPTION:	PRICE:
BA/APSW1-EU	Beck Adjustable Pressure Switch 20 to 300 Pa, IP54 rated	€ 21.55
BA/APSW2-EU	Beck Adjustable Pressure Switch 50 to 500 Pa, IP54 rated	€ 21.55
BA/APSW3-EU	Beck Adjustable Pressure Switch 200 to 1,000 Pa, IP54 rated	€ 21.55
BA/APSW1-65-EU	Beck Adjustable Pressure Switch 20 to 300 Pa, IP65 rated	€ 32.35
BA/APSW2-65-EU	Beck Adjustable Pressure Switch 50 to 500 Pa, IP65 rated	€ 32.35
BA/APSW3-65-EU	Beck Adjustable Pressure Switch 200 to 1,000 Pa, IP65 rated	€ 32.35
BA/APSW-ACC	2 Total Pressure Probes and 2 Meters of Pressure Tubing	€ 3.00

NOTE: Grey shaded items follow the Buy and Resale Multiplier.

ELECTRICAL CONNECTIONS

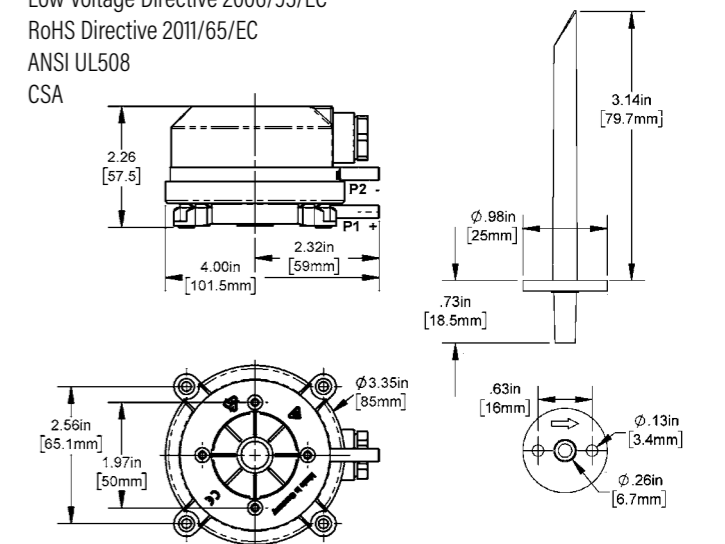
1/4" Spade Plug (AMP flat plug), 6.3 x 0.8mm in accordance with DIN 46244 or push-on screw terminals included.

PROTECTION CATEGORY:

IP54 or IP65 with cover (protection against dust and splashing water)

AGENCY:

Each depending on technical specification
Low Voltage Directive 2006/95/EC
RoHS Directive 2011/65/EC
ANSI UL508
CSA



ZONE PRESSURE PICKUP PORTS

Pressure Ports

- Economical and easy to install
- Includes 80 micron filter
- Accommodates 3 to 4mm I.D. tubing
- Available for room, wall or ceiling tile

Room pressure pickup ports come as a BAPI-Stat "Quantum" enclosure. A foam gasket seals the plate or enclosure to the wall.

BAPI also offers a Ceiling Mount Square Cover that fits a standard 19mm thick suspended ceiling tile, and a Low Profile Port that is ideal for locations where aesthetics are as important as the pressure measurement. The only visible portion is a flush 22mm dot on the wall.



SPECIFICATIONS

ENVIRONMENTAL OPERATING RANGE:

BAPI-Stat "Quantum" and Ceiling Plates:

Temperature: 0 to 50°C
Humidity: 0% to 95% RH, non-condensing

Low Profile Port:

Temperature: -40 to 85°C
Humidity: 0% to 100% RH, non-condensing

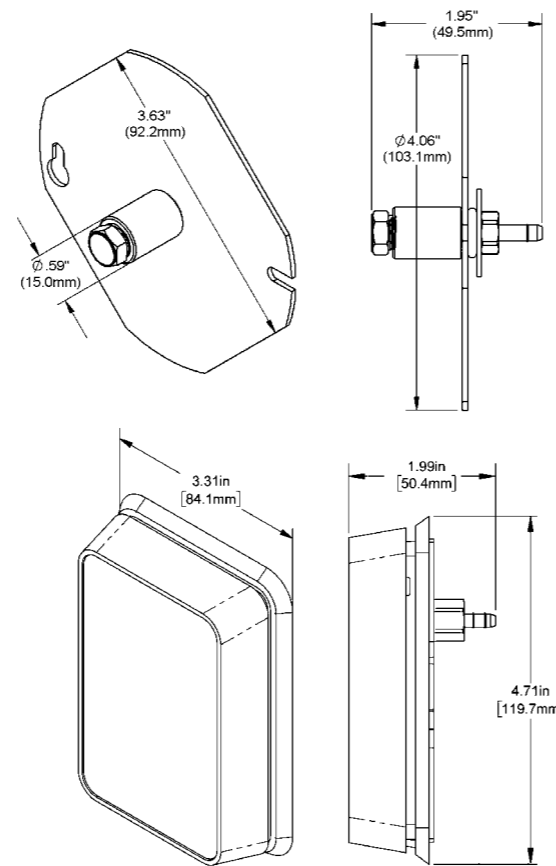
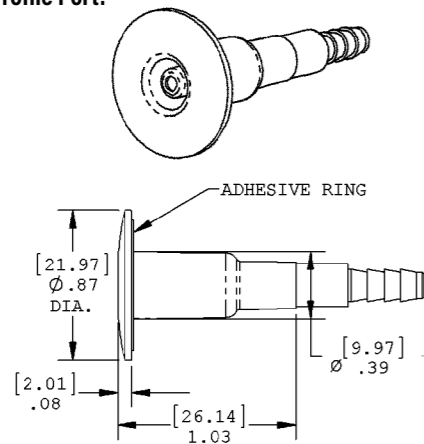
MATERIAL:

Ceiling Plates:

Stainless Steel

BAPI-Stat "Quantum" and Low Profile Port:

ABS Plastic, UL94 V-0



ORDERING

BAPI-Stat Quantum with Static Pickup

PART NUMBER:	DESCRIPTION:	PRICE:
ZPS-ACC04-60	BAPI-Stat Quantum with Static Pickup	€12.95

Ceiling Mount Square Cover with Static Pickup

PART NUMBER:	DESCRIPTION:	PRICE:
ZPS-ACC05	Ceiling Mount Square Cover with Static Pickup	€12.95

Low Profile Pickup Port

PART NUMBER:	DESCRIPTION:	PRICE:
ZPS-ACC20	Low Profile Pickup Port	€25.85

OUTSIDE AIR PRESSURE PICKUP PORT

Pressure Ports

ANOTHER ORIGINAL

- Rooftop, wall and vertical mount
- Helps stabilise readings by reducing fluctuations from wind gusts
- Rugged UV-resistant and flame retardant enclosure

BAPI's Outside Air Pressure Pickup Port is an easy, economical and attractive way of measuring outdoor static pressure. The pickup port also helps stabilise readings because it significantly reduces the pressure fluctuations caused by wind gusts.

The unit is also very rugged with a UV-resistant and flame-retardant housing to perform and last under harsh conditions.



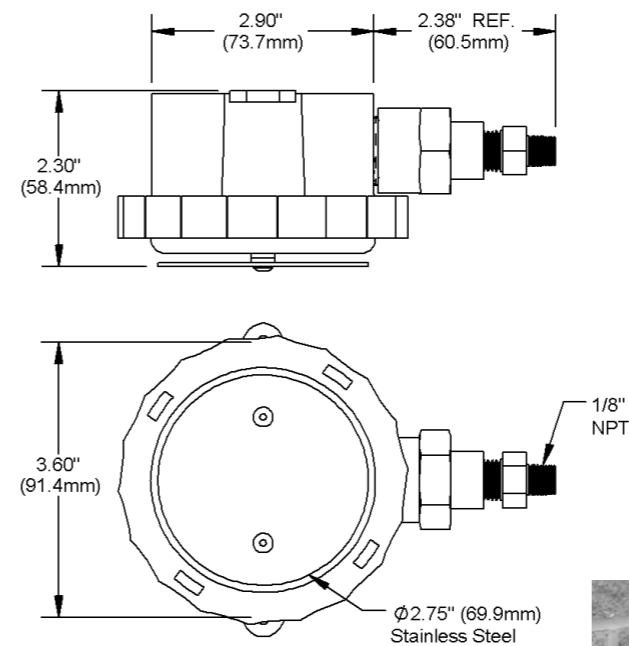
SPECIFICATIONS

ENVIRONMENTAL OPERATING RANGE:

Temperature: -40 to 100°C
Humidity: 0% to 100% RH, condensing

ENCLOSURE MATERIAL & RATING:

UV-resistant, UL94 V-0 plastic



Rooftop mount or wall mount
(Conduit and tubing not included)



ORDERING

PART NUMBER:	DESCRIPTION:	PRICE:
ZPS-ACC10	Zone Pressure Pickup Port: Outside Air Pressure Pickup Port	€38.80

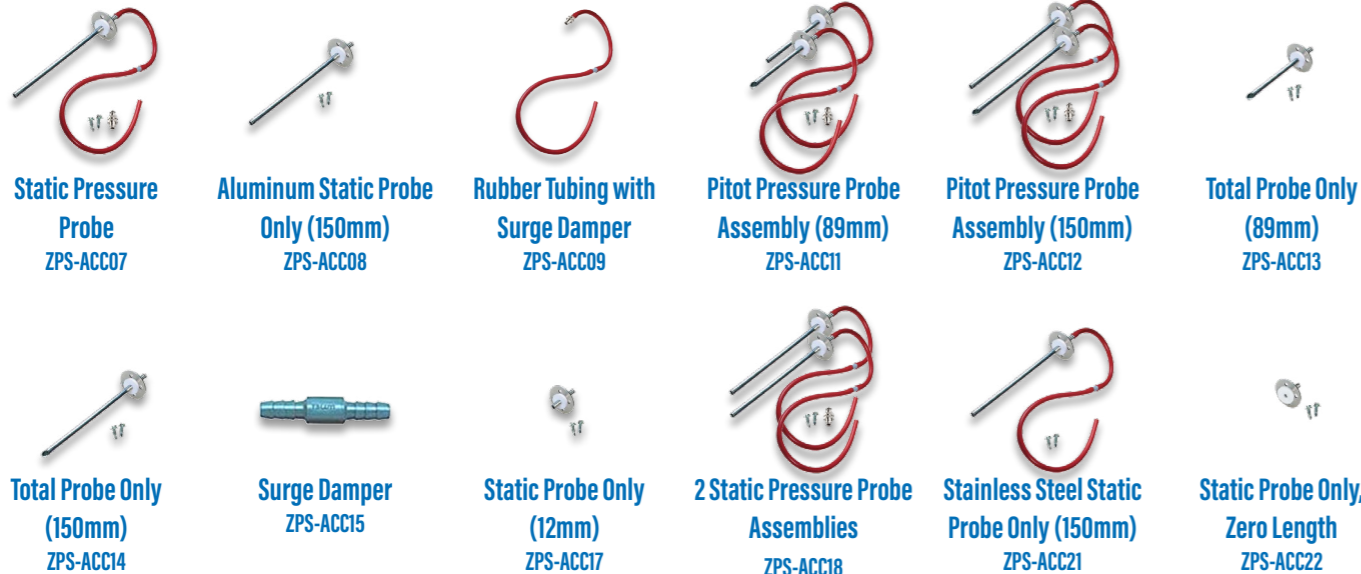
ZONE PRESSURE PROBES & ACCESSORIES

Pressure Ports

The Static Pressure Probe and Total Pressure Probe Assemblies connect to the BAPI Zone Pressure Sensor to provide duct static pressure or duct air velocity. The angled total probe faces into the airflow to sense the moving air's total pressure while the static probe senses static pressure.



Both probe assemblies include a probe and rubber tubing with built in surge damper to smooth out variations in airflow for a more stable reading. The Static Pressure Probe is available individually while the Pitot Pressure Probe Assembly includes the total probe and the static probe assemblies.



- Static Pressure Probe** ZPS-ACC07
- Aluminum Static Probe Only (150mm)** ZPS-ACC08
- Rubber Tubing with Surge Damper** ZPS-ACC09
- Pitot Pressure Probe Assembly (89mm)** ZPS-ACC11
- Pitot Pressure Probe Assembly (150mm)** ZPS-ACC12
- Total Probe Only (89mm)** ZPS-ACC13
- Total Probe Only (150mm)** ZPS-ACC14
- Surge Damper** ZPS-ACC15
- Static Probe Only (12mm)** ZPS-ACC17
- 2 Static Pressure Probe Assemblies** ZPS-ACC18
- Stainless Steel Static Probe Only (150mm)** ZPS-ACC21
- Static Probe Only, Zero Length** ZPS-ACC22

ORDERING

PART NUMBER:	DESCRIPTION:	PRICE:
ZPS-ACC07	Static Pressure Probe Assembly, 150mm long	€ 24.15
ZPS-ACC08	Aluminum static Probe Only (150mm) w/ Circular Foam	€ 11.20
ZPS-ACC09	Rubber Hoses w/ Surge Damper (includes a bulk head fitting)	€ 12.95
ZPS-ACC11	Pitot Pressure Probe Assembly, 89mm long (includes the Static & Total Probe Assemblies)	€ 62.05
ZPS-ACC12	Pitot Pressure Probe Assembly, 150mm long (includes the Static & Total Probe Assemblies)	€ 62.05
ZPS-ACC13	Total Probe Only (89mm) with Circular Foam (doesn't include hoses & damper)	€ 12.05
ZPS-ACC14	Total Probe Only (150mm) with Circular Foam (doesn't include hoses & damper)	€ 12.05
ZPS-ACC15	Surge Damper Only, 5 micron	€ 6.90
ZPS-ACC17	Static Probe Only (12mm) with Circular Foam (doesn't include hoses & damper)	€ 9.05
ZPS-ACC18	2 Static Pressure Probe Assemblies, 150mm Long	€ 48.25
ZPS-ACC21	Stainless Steel Static Probe Only (150mm) with Circular Foam and Mounting Screws (doesn't include hoses & damper)	€ 25.85
ZPS-ACC22	Static Probe Only, Zero Length, with Circular Foam and Mounting Screws	€ 6.45

SILICONE RUBBER TUBING

Made from a material that's used for green house glazing, this synthetic silicone rubber tubing maintains its flexibility and resiliency over time. The internal diameter is 3.2mm and the external diameter is 6.4mm with a bend radius of 6.4mm. The hardness is 50 durometer and the tensile strength is 1100 psi. The application temperature is -70 to 200°C.



ORDERING

PART NUMBER:	DESCRIPTION:	PRICE:
ZPS-SIL-250-125-50	Silicone Rubber Tubing for Pressure Sensing, 15m long	€ 63.35

NOTE: Grey shaded items follow the Buy and Resale Multiplier.

AIR QUALITY





Raise your hand if you think
AIR QUALITY matters.

Why use VOC ventilation instead of CO₂?

What is VOC and how is it measured?

VOCs or Volatile Organic Compounds, evaporate from substances, such as cleaning products, adhesives, paints, new carpets, copiers and printers to building materials and furnishings. VOCs are also emitted from humans and animals in their breath, sweat and directly from their skin.

BAPI's VOC sensor offers the best of both worlds. It allows for ventilation based on occupancy equivalent to a CO₂ sensor as well as air contaminants. The BAPI unit does this because it has been optimised for demand controlled ventilation. Using a calibration algorithm, the sensor value is converted to an output with a high correlation to a CO₂ level. This lets you use ASHRAE's more popular and straight forward occupancy-based VRP (Ventilation Rate Procedure) schedule.

VOCs are known to cause eye, nose and throat irritations, headache, drowsiness, dizziness, nausea, difficulty concentrating and fatigue; all summarised under the term SBS (Sick Building Syndrome). The importance of detecting the presence of VOCs in indoor air goes beyond these immediate health concerns. People judge the quality of the air not just by how it feels (temperature and humidity), but also by how it smells. If your building solely relies on a CO₂ sensor you are not achieving true air quality.

Case Study:

This research was taken in a kitchen and dining area of a public school in Wisconsin. This is a multi-purpose area with breakfast, lunch, and after school studies in the day, and athletic practices, exercise classes and meetings in the evenings.

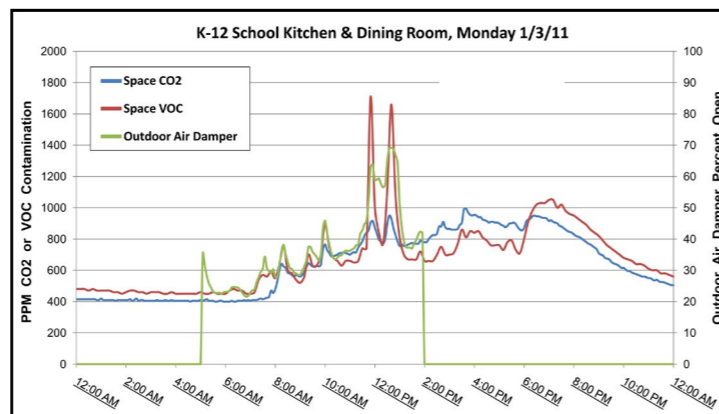
The open percentage of the outdoor air damper is controlled by the VOC sensor output through a PID control loop from 5 a.m. to 2 p.m. when the space is considered "occupied". The outside air damper is closed during the unoccupied period, and ventilation is accomplished by diffusion from the adjacent hallways. At 7am, the VOC sensor picks up the breakfast cooking aromas and activities. The CO₂ sensor climbs a shortly

after as the students arrive to eat. The VOC sensor has slightly higher readings than the CO₂ sensor during breakfast and the morning breaks because the VOCs from the food are added to the VOCs generated by the people. This is also seen at lunch time when the food is being cooking and generates lots of VOCs which are added to the VOCs from the students and staff. The BAPI sensor will allow these additional VOCs to be ventilated away while the CO₂ sensor will not.

At 2:30pm, students arrive for "After School Studies" so the VOCs and CO₂ rise a little during this period. There is a community meeting at 6pm. Notice how the VOCs track slightly below the CO₂ during the "After School Study" period when it is mostly kids in the room. Then the VOCs track slightly above the CO₂ during the community meeting period when it is mostly adults in the room. This is because adults use more perfumes and colognes than kids, and therefore generate more VOCs.

Whether it's kids or adults in the room, and whether they're studying or eating, the chart proves that the VOC sensor output directly correlates to occupancy in the room and can easily be set up for Demand Controlled Ventilation.

To read the complete study visit www.bapivac.co.uk/resource-library



Contact us to learn how you can achieve true indoor air quality

BAPI-STAT "QUANTUM PRIME" VOC ROOM SENSOR

Air Quality Sensor

ANOTHER ORIGINAL

- Achieves true indoor air quality, not just CO₂ dilution
- Optional display, temperature and humidity sensing, temperature setpoint adjustment and override
- Output is correlated to a CO₂ value allowing you to ventilate using ASHRAE's CO₂-based VRP algorithm
- Traffic light status indication

Humans respire Volatile Organic Compounds (VOCs) as well as CO₂. The BAPI sensor measures these VOCs and indicates when a space is occupied just as well as a CO₂ sensor. The advantage of the VOC sensor is that it measures air contaminants from other sources besides respiration, such as building materials, cleaners, perfumes, furniture and carpet off-gassing.

A further benefit is that it requires no additional work on your part. That's because the sensor converts the VOC reading to a CO₂ equivalent level. This lets you use ASHRAE's CO₂-based VRP schedule to ventilate.



5 YEAR WARRANTY

SPECIFICATIONS

POWER: (No AC Power)

0 to 10 VDC output units:
15 to 35 VDC @ 50 mA max (15 VDC recommended)

SENSING ELEMENTS:

Humidity: Capacitive Polymer, ±2% RH accuracy
VOCs: Micro-machined metal oxide

MOUNTING:

Universal backplate (screws provided)

VOC DETECTION RANGE:

0 to 2,000 CO₂ ppm equivalent

START-UP TIME:

15 minutes

RESPONSE TIME:

Less than 2 minutes

ENCLOSURE MATERIAL & RATING:

ABS Plastic, UL94 V-0

TEMP SENSING ELEMENT & ACCURACY:

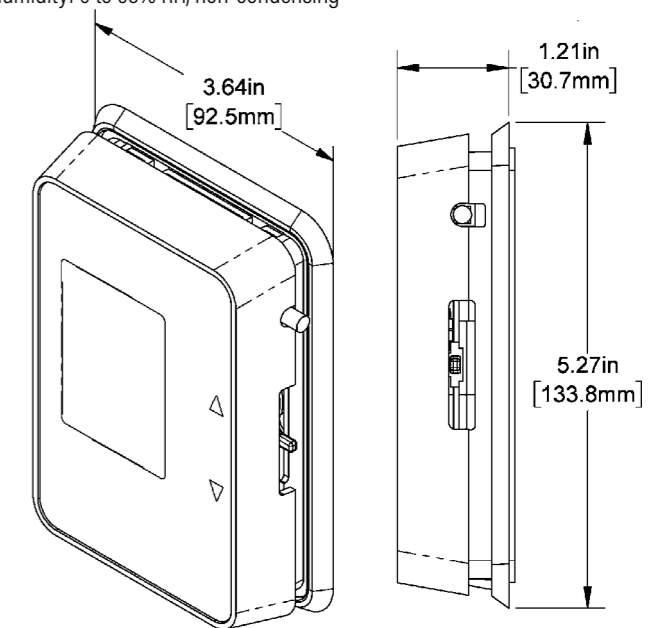
10K-2 Thermistor: ±0.2°C (0 to 70°C)
10K-3 Thermistor: ±0.2°C (0 to 70°C)
10K-4 Thermistor: ±0.2°C (0 to 70°C)
1K RTD: ±0.12% at 0°C (385 curve)

LED VOC LEVEL INDICATOR:

Good, Green < 1,000 ppm
Fair, Yellow = 1,000 to 1,500 ppm
Poor, Red > 1,500 ppm

ENVIRONMENTAL OPERATING RANGE:

Temperature: 0 to 50°C
Humidity: 0 to 95% RH, non-condensing



ORDERING

PART NUMBER:	DESCRIPTION:	PRICE:
BA/AQP60C-D-B-B-1-C10-J	Display/10K-2 Therm./Temp Setpoint: 10 to 32°C/%RH: 0 to 100%/VOC: 0 to 2,000ppm CO2 Equiv./Override	€ 533.60
BA/AQP60C-D-C-B-1-C10-J	Display/10K-3 Therm./Temp Setpoint: 10 to 32°C/%RH: 0 to 100%/VOC: 0 to 2,000ppm CO2 Equiv./Override	€ 533.60
BA/AQP60C-D-V-B-1-C10-J	Display/10K-4 Therm./Temp Setpoint: 10 to 32°C/%RH: 0 to 100%/VOC: 0 to 2,000ppm CO2 Equiv./Override	€ 533.60
BA/AQP60C-D-A-B-1-C10-J	Display/1K Plat. RTD/Temp Setpoint: 10 to 32°C/%RH: 0 to 100%/VOC: 0 to 2,000ppm CO2 Equiv./Override	€ 539.60
BA/AQP60X-D-B-B-X-XX-X	No Display/10K-2 Thermistor/%RH: 0 to 100%/VOC: 0 to 2,000ppm CO2 Equiv./No Setpoint & No Override	€ 493.50
BA/AQP60X-D-C-B-X-XX-X	No Display/10K-3 Thermistor/%RH: 0 to 100%/VOC: 0 to 2,000ppm CO2 Equiv./No Setpoint & No Override	€ 493.50
BA/AQP60X-D-V-B-X-XX-X	No Display/10K-4 Thermistor/%RH: 0 to 100%/VOC: 0 to 2,000ppm CO2 Equiv./No Setpoint & No Override	€ 493.50
BA/AQP60X-D-A-B-X-XX-X	No Display/1K Platinum RTD/%RH: 0 to 100%/VOC: 0 to 2,000ppm CO2 Equiv./No Setpoint & No Override	€ 499.50

NOTE: Temperature Setpoint, %RH Measurement and VOC Measurement all have 0 to 10V Output

VOC DUCT & HARSH ENVIRONMENT SENSOR

Air Quality Sensor

- Achieves true indoor air quality
- Output is correlated to a CO₂ value allowing you to ventilate using ASHRAE's CO₂-based VRP algorithm
- Ventilated BAPI-box for harsh environments and BAPI-box with aspiration tube for ducts

Humans respire Volatile Organic Compounds (VOCs) as well as CO₂. The BAPI sensor measures these VOCs and indicates when a space is occupied just as well as a CO₂ sensor. The advantage of the VOC sensor is that it measures air contaminants from other sources besides respiration, such as building materials, cleaners, perfumes, furniture and carpet off-gassing.

A further benefit is that it requires no additional work on your part. That's because the sensor converts the VOC reading to a CO₂ equivalent level. This lets you use ASHRAE's CO₂-based VRP schedule to ventilate. The unit is also available with total VOC output (TVOC) of 0 to 2,500 ppb. This is often needed to meet 3rd party building certifications that require separate CO₂ and VOC readings.



SPECIFICATIONS

POWER: (Half-wave rectified)

12 to 24 VDC, 35 mA max
18 to 24 VAC, 4 VA max

VOLTAGE OUTPUT:

0 to 10 VDC > 10KΩ impedance

VOC SENSING ELEMENT:

Micro-machined metal oxide

CO₂e UNIT DETECTION RANGE:

0 to 2,000 ppm CO₂ Equivalent

TVOC UNIT DETECTION RANGE:

0 to 2,500 ppb

START-UP TIME:

15 minutes

RESPONSE TIME:

Less than 60 sec (after start-up time)

ENVIRONMENTAL OPERATING RANGE:

Temperature: 0 to 50°C
Humidity: 0 to 95% RH, non-condensing

WIRING:

3 wires, 16 to 22 AWG

ENCLOSURE MATERIAL & RATING:

Polycarbonate, UL94 V-0, Duct Unit IP66 rated-enclosure

COVER LEDs:

Good, Green < 1,000 ppm
Fair, Yellow = 1,000 to 1,500 ppm
Poor, Red > 1,500 ppm

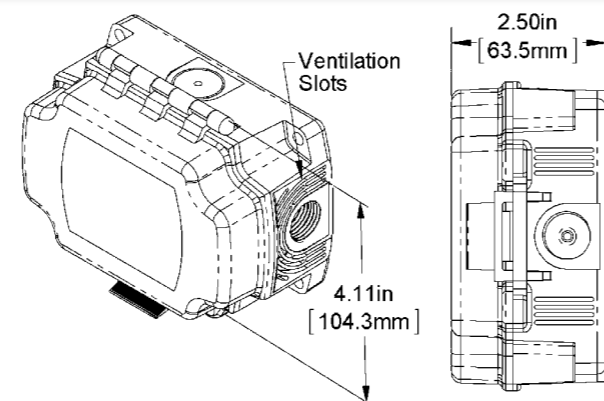
APPLICATION NOTE:

Common VOCs Detected By BAPI's VOC Sensor

Learn more about Volatile Organic Compounds and what can be detected by our VOC sensors.



Visit www.bapivac.co.uk/resource-library to learn more.



BAPI-STAT QUANTUM VOC/TVOC ROOM SENSOR

Air Quality Sensor

- Field-Selectable 0 to 5 or 0 to 10 VDC Output
- Available with a CO₂ Equivalent Output (CO₂e) or a Total VOC Output (TVOC)

Humans respire Volatile Organic Compounds (VOCs) as well as CO₂. The BAPI sensor measures these VOCs and indicates when a space is occupied just as well as a CO₂ sensor. The advantage of the VOC sensor is that it measures air contaminants from other sources besides respiration, such as building materials, cleaners, perfumes, furniture and carpet off-gassing.

A further benefit is that it requires no additional work on your part. That's because the sensor converts the VOC reading to a CO₂ equivalent level. This lets you use ASHRAE's CO₂-based VRP schedule to ventilate.

The unit is also available with total VOC output (TVOC) of 0 to 2,500 ppb. This is often needed to meet 3rd party building certifications that require separate CO₂ and VOC readings.



SPECIFICATIONS

POWER: (Half-wave rectified)

12 to 24 VDC, 35 mA max
18 to 24 VAC, 4 VA max

CO₂e UNIT DETECTION RANGE:

0 to 2,000 ppm CO₂ Equivalent

TVOC UNIT DETECTION RANGE:

0 to 2,500 ppb

SELECTABLE OUTPUT:

0 to 5 or 0 to 10 VDC > 4KΩ impedance

SENSING ELEMENT:

Micro-machined metal oxide

WIRING:

3 wires, 16 to 22 AWG

ENVIRONMENTAL OPERATING RANGE:

Temperature: 0 to 50°C
Humidity: 5 to 95% RH, non-condensing

ENCLOSURE MATERIAL & RATING:

ABS Plastic, UL94 V-0

START-UP TIME:

15 minutes

RESPONSE TIME:

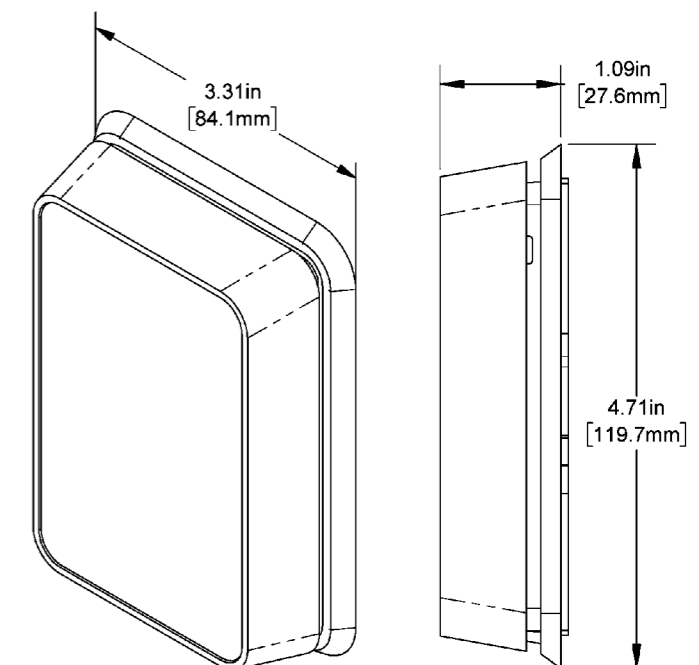
< 60 seconds (after start-up time)

MOUNTING:

Universal backplate (screws provided)

LED VOC LEVEL INDICATOR: (not available in TVOC models)

Good, Green < 1,000 ppm
Fair, Yellow = 1,000 to 1,500 ppm
Poor, Red > 1,500 ppm



ORDERING

PART NUMBER:	DESCRIPTION:	PRICE:
BA/VOC10-D-BB	Duct VOC Sensor/0 to 10V Output/0 to 2,000ppm CO ₂ Equivalent Range/IP66 BAPI-Box	€ 419.80
BA/VOC10-V-BB	Harsh Environment VOC Sensor/0 to 2,000ppm CO ₂ Equivalent Range/Ventilated BAPI-Box	€ 478.40
BA/TVOC10-D-BB-BNK	Duct TVOC Sensor with Aspiration Tube, 0-10 V, 0 to 2500ppb, IP66 BAPI-Box	€ 419.80
BA/TVOC10-V-BB-BNK	Harsh Environment TVOC Sensor with Ventilated BAPI-Box, 0-10 V, 0 to 2,500 ppb	€ 478.40

ORDERING

PART NUMBER:	DESCRIPTION:	PRICE:
BA/BQX60-B	VOC Sensor/0 to 10V Output/0 to 2,000ppm CO ₂ Equivalent (CO ₂ e) Range/LED Status Indicators	€ 366.35
BA/BQX60-T-B-BNK	TVOC Sensor/0 to 10V Output/0 to 2,500ppb VOC (TVOC) Range/No Status LEDs	€ 366.35

BAPI-STAT "QUANTUM PRIME" CO₂ ROOM SENSOR

Air Quality Sensor

ANOTHER ORIGINAL

- Automatic barometric pressure and temperature compensation
- Does not require annual calibration, and suitable for 24/7 application
- Traffic light status indication
- Set up time less than 15 mins

Even low quantities of CO₂ can have a negative effect on your health. Because of this, it is vital that you have the right sensor for your application. So when choosing your next CO₂ sensor ensure that it is accurate, reliable & provides continuous self-calibration (no annual visits to re-calibrate) as this will guarantee accurate measurements time after time.

BAPI's award winning CO₂ sensor is guaranteed to work at any altitude and in any weather conditions, it will detect CO₂ within two minutes of operation and is suitable for 24-7 occupancy, it doesn't just monitor but will measure and control your environment.



5 YEAR WARRANTY

SPECIFICATIONS

POWER FOR 0 TO 10 VDC OUTPUTS:

15 to 35 VDC @ 240 mA (15 to 24 VDC recommended)

SENSING ELEMENTS:

CO₂: Dual Channel Non-Dispersive Infrared (NDIR)
Humidity: Capacitive Polymer ±2% RH accuracy

TEMPERATURE SENSING ELEMENT & ACCURACY:

10K-2 Thermistor: ±0.2°C (0 to 70°C)
10K-3 Thermistor: ±0.2°C (0 to 70°C)
10K-4 Thermistor: ±0.2°C (0 to 70°C)
1K RTD: ±0.12% at 0°C (385 curve)

ENVIRONMENTAL OPERATING RANGE:

Temperature: 0 to 50°C
Humidity: 0 to 95% RH, non-condensing

ENCLOSURE MATERIAL & RATING:

ABS Plastic, UL94 V-0

CO₂ DETECTION RANGE:

0 to 2,000 ppm

START UP TIME:

Less than 2 minutes

RESPONSE TIME:

Less than 2 minutes for 90% step change typical (after start-up)

CO₂ DRIFT STABILITY:

<5% of full scale over life of product

CO₂ ACCURACY:

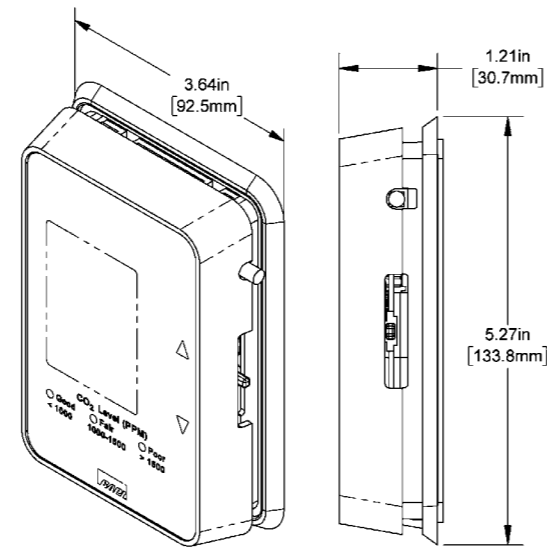
400 to 1,000 ppm: ±75 ppm or >1,000 ppm: ±10% of reading

MOUNTING:

Universal backplate (screws provided)

LED CO₂ LEVEL INDICATOR:

Good, Green < 1,000 ppm
Fair, Yellow = 1,000 to 1,500 ppm
Poor, Red > 1,500 ppm



ORDERING

PART NUMBER:	DESCRIPTION:	PRICE:
BA/AQP60C-D-B-B-1-C10-J	Display/10K-2 Thermistor/Temp Setpoint: 10 to 32°C/%RH: 0 to 100%/Dual Channel CO ₂ : 0 to 2,000ppm/Override	€ 559.45
BA/AQP60C-D-C-B-1-C10-J	Display/10K-3 Thermistor/Temp Setpoint: 10 to 32°C/%RH: 0 to 100%/Dual Channel CO ₂ : 0 to 2,000ppm/Override	€ 559.45
BA/AQP60C-D-V-B-1-C10-J	Display/10K-4 Thermistor/Temp Setpoint: 10 to 32°C/%RH: 0 to 100%/Dual Channel CO ₂ : 0 to 2,000ppm/Override	€ 559.45
BA/AQP60C-D-A-B-1-C10-J	Display/1K Platinum RTD/Temp Setpoint: 10 to 32°C/%RH: 0 to 100%/Dual Channel CO ₂ : 0 to 2,000ppm/Override	€ 565.45
BA/AQP60X-D-B-B-X-XX-X	No Display/10K-2 Thermistor/%RH: 0 to 100%/Dual Channel CO ₂ : 0 to 2,000ppm/No Setpoint & No Override	€ 519.80
BA/AQP60X-D-C-B-X-XX-X	No Display/10K-3 Thermistor/%RH: 0 to 100%/Dual Channel CO ₂ : 0 to 2,000ppm/No Setpoint & No Override	€ 519.80
BA/AQP60X-D-V-B-X-XX-X	No Display/10K-4 Thermistor/%RH: 0 to 100%/Dual Channel CO ₂ : 0 to 2,000ppm/No Setpoint & No Override	€ 519.80
BA/AQP60X-D-A-B-X-XX-X	No Display/1K Platinum RTD/%RH: 0 to 100%/Dual Channel CO ₂ : 0 to 2,000ppm/No Setpoint & No Override	€ 525.80

NOTE: Temperature Setpoint, %RH Measurement and CO₂ Measurement all have 0 to 10V Output

BAPI-STAT "QUANTUM" CO₂ ROOM SENSOR

Air Quality Sensor

ANOTHER ORIGINAL

- Automatic barometric pressure and temperature compensation
- Does not require annual calibration, and suitable for 24/7 application
- Traffic light status indication
- Set up time less than 15 mins

Even low quantities of CO₂ can have a negative effect on your health. Because of this, it is vital that you have the right sensor for your application. So when choosing your next CO₂ sensor ensure that it is accurate, reliable & provides continuous self-calibration (no annual visits to re-calibrate) as this will ensure accurate measurements time after time.

BAPI's award winning CO₂ sensor works at any altitude and in any weather conditions and detects CO₂ within two minutes of operation and is suitable for 24-7 occupancy.



5 YEAR WARRANTY

SPECIFICATIONS

POWER:

12 to 24 VDC, 240 mA
18 to 24 VAC, 12 VA peak

SENSING ELEMENTS:

Dual Channel Non-Dispersive Infrared (NDIR)

FIELD SELECTABLE VOLTAGE OUTPUT:

0 to 5 or 0 to 10 VDC

TERMINATION:

3 Terminals, 16 to 22 AWG

ENVIRONMENTAL OPERATING RANGE:

Temperature: 0 to 50°C
Humidity: 0 to 95% RH, non-condensing

ENCLOSURE MATERIAL & RATING:

ABS Plastic, UL94 V-0

CO₂ DETECTION RANGE:

0 to 2,000 ppm

START UP TIME:

Less than 2 minutes

RESPONSE TIME:

Less than 2 minutes for 90% step change typical (after start-up)

MOUNTING:

Universal backplate (screws provided)

CO₂ DRIFT STABILITY:

<5% of full scale over life of product

CO₂ ACCURACY:

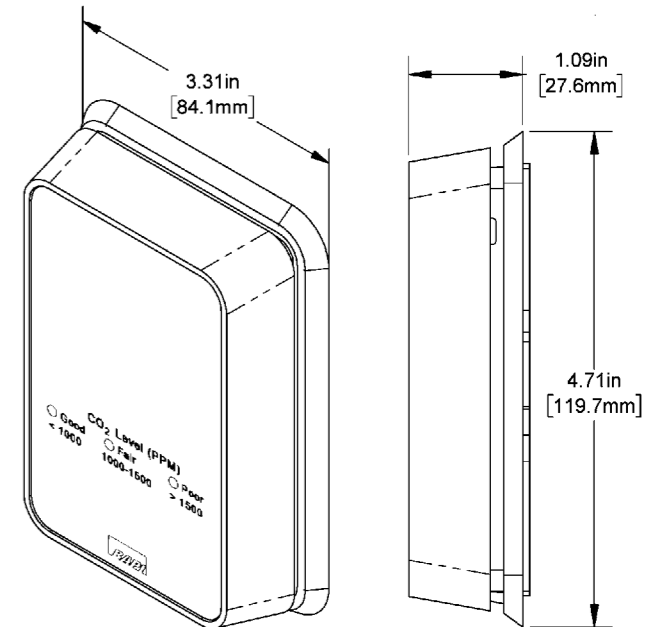
400 to 1,000 ppm: ±75 ppm or >1,000 ppm: ±10% of reading

LED CO₂ LEVEL INDICATOR:

Good, Green < 1,000 ppm
Fair, Yellow = 1,000 to 1,500 ppm
Poor, Red > 1,500 ppm

ORDERING

PART NUMBER:	DESCRIPTION:	PRICE:
BA/AQX60-D	BAPI-Stat "Quantum" Dual Channel CO ₂ Sensor/0 to 10V Output/0 to 2,000ppm Range	€ 392.20



CO₂ DUCT AND HARSH ENVIRONMENT SENSOR

Air Quality Sensor

- Automatic barometric pressure and temperature compensation
- Does not require annual calibration, and suitable for 24/7 application
- Traffic light status indication
- Set Up time less than 15 mins

The BAPI CO₂ Duct Sensor is an accurate and reliable way of incorporating demand controlled ventilation. It measures CO₂ in ranges of 0 to 2,000 ppm with a field selectable output of 0 to 5 or 0 to 10 VDC.

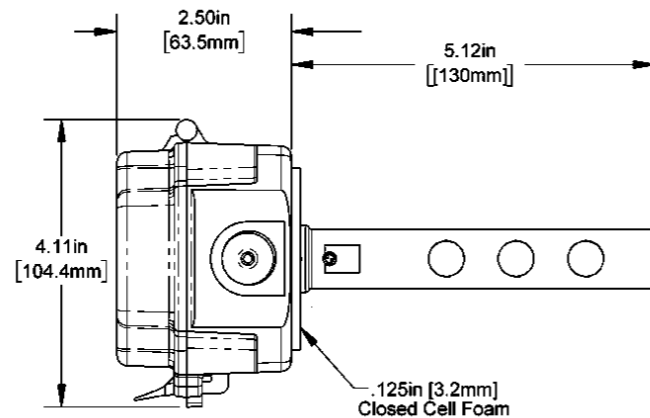
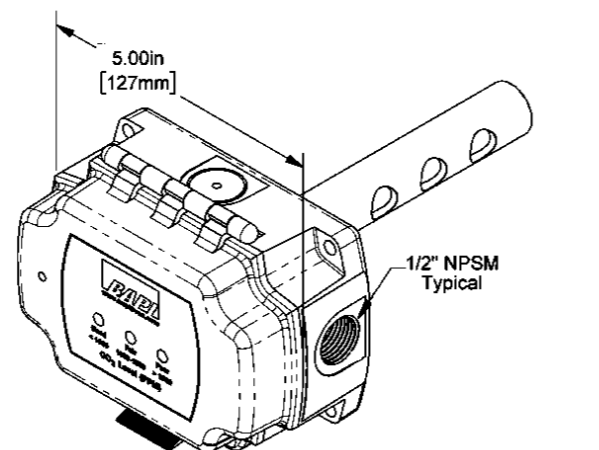
The Duct unit samples duct air using an aspiration tube. The Harsh Environment unit features a ventilated BAPI-Box and is ideal for areas such as outdoor air plenums, equipment rooms, green houses and warehouses. The CO₂ level is indicated as "Good, Fair or Poor" by three LEDs on the front of the unit. If it reaches the top of the PPM range, the red LED will begin to flash.



ANOTHER ORIGINAL

SPECIFICATIONS

POWER:	12 to 24 VDC, 240 mA 18 to 24 VAC, 12 VA peak
FIELD SELECTABLE VOLTAGE OUTPUT:	0 to 5 or 0 to 10 VDC
TERMINATION:	3 Terminals, 16 to 22 AWG
ENVIRONMENTAL OPERATING RANGE:	Temperature: 0 to 50°C Humidity: 0 to 95% RH, non-condensing
ENCLOSURE MATERIAL:	Polycarbonate
CO₂ DETECTION PPM RANGE:	0 to 2,000 ppm
START UP TIME:	Less than 2 minutes
RESPONSE TIME:	Less than 2 minutes for 90% step change typical (after start-up)
CO₂ DRIFT STABILITY:	<5% of full scale over life of product
CO₂ ACCURACY:	75 ppm or 10% of reading (whichever is greater)
LED CO₂ LEVEL INDICATOR:	Good, Green < 1,000 ppm Fair, Yellow = 1,000 to 1,500 ppm Poor, Red > 1,500 ppm



ORDERING

PART NUMBER:	DESCRIPTION:	PRICE:
BA/DCD10-D-BB	Duct Dual Channel CO ₂ Sensor/0 to 10V Output/0 to 2,000ppm Range/IP66 BAPI-Box	€ 431.00
BA/DCD10-V-BB	Harsh Environment Dual Channel CO ₂ Sensor/0 to 10V Output/0 to 2,000ppm Range/Ventilated BAPI-Box	€ 499.95

CARBON MONOXIDE DUCT & HARSH ENVIRONMENT SENSOR

Air Quality Sensor

- Field Replaceable Electrochemical Sensor with Self-Test
- Large Display and Two Independent Alarm Contacts
- Field Selectable Ranges and Outputs
- Certificate of Calibration Included with Sensors and Replacement Modules

BAPI's Carbon Monoxide Sensor offers enhanced electrochemical sensing with outstanding accuracy even at low concentrations. The Duct unit samples duct air using an aspiration tube. The Harsh Environment unit features a ventilated BAPI-Box and is ideal for car parks, equipment rooms and warehouses.

The sensor has field selectable CO ranges of 0 to 100, 0 to 200, 0 to 300 and 0 to 500 ppm. It also has field selectable outputs of 0 to 5, 1 to 5, 0 to 10, 2 to 10 VDC and 3-wire 4 to 20 mA output. Two independent SPDT alarm contacts switch at field selectable CO concentrations of 25, 35, 50, 100 and 200 ppm. The field replaceable sensor element lasts approximately 7 years and is self tested daily.

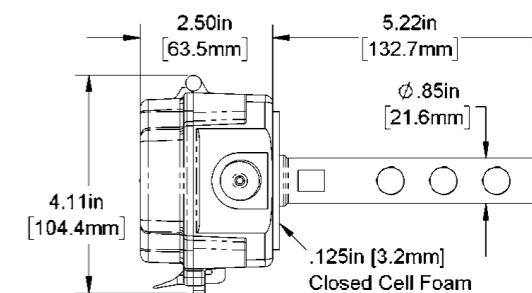
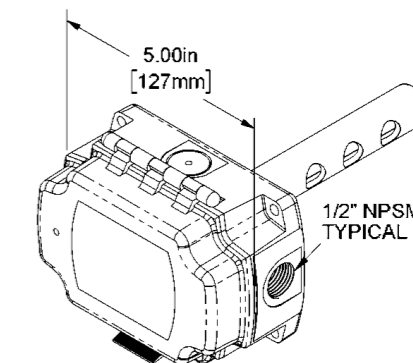


ANOTHER ORIGINAL

SPECIFICATIONS

POWER:	18 to 28 VAC, 7.2 VA max 18 to 40 VDC, 180 mA max
FIELD SELECTABLE RANGES:	0 to 100, 0 to 200, 0 to 300 & 0 to 500 ppm
ALARM RELAYS:	2 Independent, Dry SPDT (Form C) 2 Amps at 24 VAC/DC, Resistive 140 VA Inrush, 48 VA Holding at 24 VAC
FIELD WIRING TERMINALS:	Pluggable Screw Terminals, 14 to 24 AWG
RESPONSE TIME:	<80 seconds from 10% to 90% of range
ALARM RELAY SETPOINTS:	25, 35, 50, 100 or 200 ppm
ALARM TIMER:	0, 1, 5 & 10 minutes
SENSOR ELEMENT LIFE:	7 years typical
FIELD SELECTABLE OUTPUTS:	3-wire 4 to 20 mA 0 to 5, 1 to 5, 0 to 10, 2 to 10 VDC

ACCURACY:	<200 ppm = ±3% FS, 0 to 50°C 201 to 500 ppm = ±5% FS, 10 to 50°C
ENVIRONMENTAL OPERATING RANGE:	Temperature: -10 to 50°C Humidity: 5 to 95% RH, non-condensing



ORDERING

PART NUMBER:	DESCRIPTION:	PRICE:
BA/CO-D-BB	"Duct CO Sensor with Aspiration Tube, Field Selectable Outputs and Ranges, IP66 BAPI-Box"	€717.20
BA/CO-V-BB	Harsh Environment CO Sensor with Ventilated BAPI-Blue Box, Field Selectable Outputs and Ranges	€775.80
BA/COS	Factory Calibrated Replacement CO Module	€215.50

CO ROUGH SERVICE WITH OPTIONAL BACNET SENSOR

Air Quality Sensor

- Field Replaceable Electrochemical Sensor with Self-Test
- Optional BACnet MS/TP Output of CO, Temp and Humidity
- Field Selectable Voltage Outputs

BAPI's Carbon Monoxide Rough Service Sensor offers enhanced electrochemical sensing with outstanding accuracy at low concentrations. It features a ventilated BAPI-Box and is ideal for parking ramps, equipment rooms and warehouses.

The sensor has a CO range of 0 to 500 ppm with field selectable outputs of 0 to 5, 1 to 5, 0 to 10 and 2 to 10 VDC. It includes optional humidity measurement with one of the above voltage outputs, and temperature via a 10K-2, 10K-3 or 20K Thermistor. The CO, temperature and humidity outputs are also available via BACnet MS/TP.

ANOTHER ORIGINAL



SPECIFICATIONS

POWER:

0 to 5 or 1 to 5 VDC output
9 to 40 VDC, 10 mA max
12 to 28 VAC, 1.4 VA max

0 to 10 or 2 to 10 VDC output
12 to 40 VDC, 10 mA max
12 to 28 VAC, 1.4 VA max

BACnet output
9 to 40 VDC, 35 mA max
12 to 28 VAC, 1.7 VA max

CO MEASUREMENT RANGE:

0 to 500 ppm

FIELD WIRING TERMINALS:

Flying Leads, 20 AWG

RESPONSE TIME:

<80 seconds from 10% to 90% of range

SENSOR ELEMENT LIFE:

7 years typical

FIELD SELECTABLE VOLTAGE OUTPUTS:

0 to 5, 1 to 5, 0 to 10 and 2 to 10 VDC

CARBON MONOXIDE SENSOR ACCURACY

<200PPM = ±3% FS, 32 to 122°F (0 to 50°C)
201 to 500ppm = ±5%FS, 50 to 122°F (10 to 50°C)

ENVIRONMENTAL OPERATING RANGE:

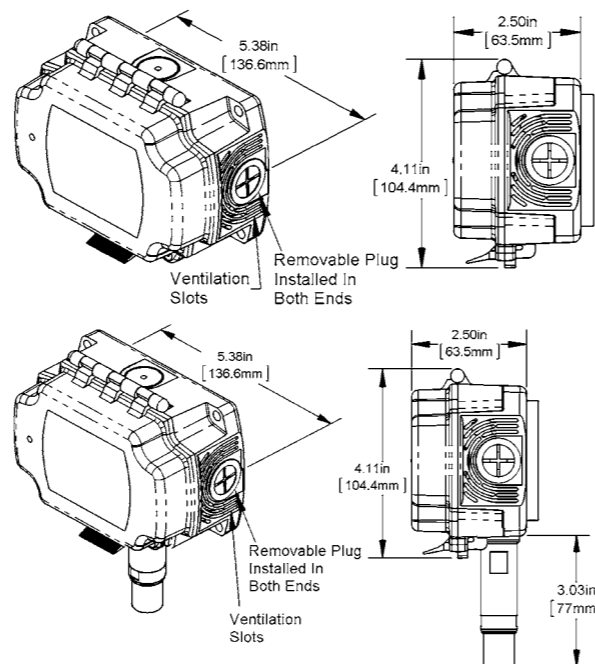
Continuous: 32 to 122°F (0 to 50°C); 5 to 95% RH, noncondensing
Intermittent: -40 to 131°F (-40 to 55°C); 5 to 95% RH, noncondensing

HUMIDITY SENSOR ACCURACY:

±2% RH (20% to 80%) @ 25°C, Fully Compensated

TEMP SENSING ELEMENT & ACCURACY:

10K-2 Thermistor: ±0.2°C (0 to 70°C)
10K-3 Thermistor: ±0.2°C (0 to 70°C)
10K-4 Thermistor: ±0.2°C (0 to 70°C)
1K RTD: ±0.12% at 0°C (385 curve)



ORDERING

PART NUMBER:	DESCRIPTION:	PRICE:
BA/BBV-CO	Rough Service CO Sensor	€ 297.40
BA/BBV-COV-102-H	Rough Service CO Sensor with 10K-2 Thermistor Temp and %RH	€ 384.45
BA/BBV-COV-103-H	Rough Service CO Sensor with 10K-3 Thermistor Temp and %RH	€ 384.45
BA/BBV-COV-20-H	Rough Service CO Sensor with 20K Thermistor Temp and %RH	€ 384.45
BA/BBV-COBN	Rough Service CO Sensor with BACnet Output	€ 421.50
BA/BBV-COBN-H	Rough Service CO Sensor with Temp, %RH and BACnet Output	€ 502.55

CARBON MONOXIDE ROOM SENSOR

Air Quality Sensor

- 0 to 40 ppm CO measurement range
- 30 ppm CO relay trip level with audible alarm
- Field selectable 0 to 5 V, 0 to 10 V or 4 to 20 mA output
- BAPI-Stat 4 enclosure with LED status indication

The BAPI Carbon Monoxide Room Sensor features a BAPI-Stat 4 Style Enclosure with Green/Red Status LED. It has a 0 to 40 ppm CO measurement range with a 30 ppm relay/audible alarm trip level. The relay is field selectable for normally closed or normally open, and the CO output level is field selectable for 0 to 5V, 0 to 10V or 4 to 20mA.

The Green/Red LED indicates unit status of Normal, Alarm, Trouble/Service or Test. The side pushbutton places the unit into Test status to verify audible alarm and LED operation.



SPECIFICATIONS

POWER SUPPLY:

24 VAC/VDC, 1.0 VA max

AUDIBLE ALARM:

75 dB at 10 feet

RELAY OUTPUT:

Form "C", 0.1 A, 30 VDC, Jumper selectable for Normally Closed or Open

CO MEASUREMENT RANGE:

0 to 40 ppm

RELAY/ALARM TRIP LEVEL:

30 ppm CO

JUMPER SELECTABLE ANALOG OUTPUT:

0 to 5 VDC, 0 to 10 VDC or 4 to 20 mA

CO SENSOR TECHNOLOGY:

Electrochemical

ENVIRONMENTAL OPERATING RANGE:

Temperature: 4.4 to 378°C
Humidity: 15 to 95% RH

SENSOR LIFE:

7 years typical

RESPONSE TIME:

15 seconds typical

SENSOR OVERLOAD LEVEL:

5,000 ppm CO

LED BEHAVIOR:

Normal Status

Green LED illuminated, Red LED flashes every 30 seconds indicating that the alarm is powered

Alarm Status

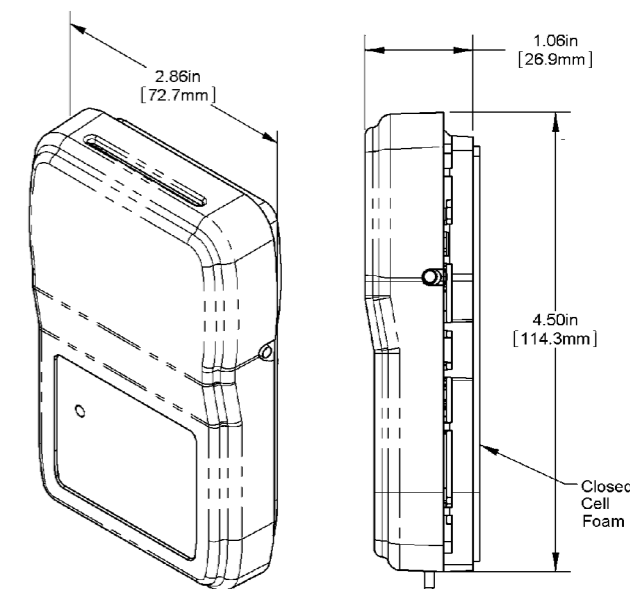
Green LED extinguished, flashing Red LED and audible alarm

Trouble/Service Status

Green LED illuminated, Red LED flashes twice and horn "beeps" once every 30 seconds

Test Status

Green LED illuminated, one chirp, then Red LED flashes 4 to 5 times followed by 2 alarm signals



ORDERING

PART NUMBER:	DESCRIPTION:	PRICE:
BA/CO-B4	0 to 40ppm, Status LED, Audible Alarm, 4 to 20mA, 0 to 5V, 0 to 10V	€ 288.75

NITROGEN DIOXIDE DUCT & HARSH ENVIRONMENT SENSOR

Air Quality Sensor

- Field replaceable electrochemical sensor
- Two independent alarm contacts
- Field selectable NO₂ ranges and outputs
- Sensor element is tested daily

BAPI's Nitrogen Dioxide Harsh Environment Sensor offers enhanced electrochemical sensing with outstanding accuracy even at low concentrations. The Duct unit samples duct air using an aspiration tube. The Harsh Environment unit features a ventilated BAPI-Box and is ideal for car parks, equipment rooms and warehouses.

The sensor has field selectable NO₂ ranges of 0 to 2.5, 0 to 5, 0 to 7.5 and 0 to 10 ppm. It also has field selectable outputs of 0 to 5, 1 to 5, 0 to 10 and 2 to 10 VDC as well as a 3-wire 4 to 20 mA output. Two independent SPDT alarm contacts switch at field selectable NO₂ concentrations of 1.0, 2.5, 5.0, 7.5 and 10.0 ppm.

ANOTHER ORIGINAL



5 YEAR WARRANTY

SPECIFICATIONS

POWER:

18 to 28 VAC, 7.2 VA max
18 to 40 VDC, 180 mA max

FIELD SELECTABLE RANGES:

0 to 2.5 ppm • 0 to 5.0 ppm
0 to 7.5 ppm • 0 to 10.0 ppm

ACCURACY:

±5.0% of full scale

ALARM RELAYS:

2 Independent, Dry SPDT (Form C)
2 Amps at 24 VAC/DC, Resistive
140 VA Inrush, 48 VA Holding at 24 VAC

FIELD WIRING TERMINALS:

Pluggable Screw Terminals, 14 to 24 AWG

RESPONSE TIME:

<80 seconds from 10% to 90% of range

ALARM RELAY SETPOINTS:

1.0, 2.5, 5.0, 7.5 or 10 ppm

ALARM TIMER:

0, 1, 5 & 10 minutes

FIELD SELECTABLE ANALOG OUTPUTS:

3-wire 4 to 20 mA
0 to 5 VDC, 1 to 5 VDC
0 to 10 VDC, 2 to 10 VDC

LIFETIME:

7 years typical

ENVIRONMENTAL OPERATING RANGE:

Temperature: -10 to 50°C
Humidity: 5 to 95% RH, non-condensing

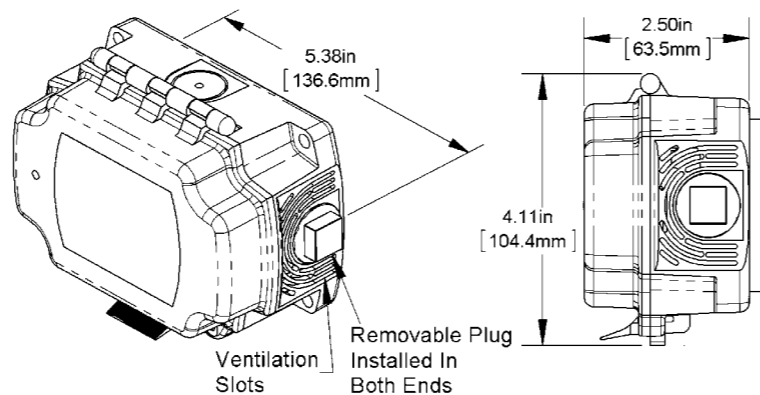
APPLICATION NOTE:

Gas Sensor Coverage Area and Mounting

Learn how to properly place and mount BAPI's air quality sensors to ensure proper coverage and operation.



Visit www.bapivac.co.uk/resource-library to learn more.



ORDERING

PART NUMBER:	DESCRIPTION:	PRICE:
BA/N02-V-BB	Harsh Environment NO ₂ Sensor with Ventilated BAPI-Blue Box, Field Selectable Outputs and Ranges	€ 1,008.55
BA/N02-D-BB	Duct NO ₂ Sensor with Aspiration Tube, Field Selectable Outputs and Ranges, IP66 BAPI-Box	€ 948.20
BA/N02S	Factory Calibrated Replacement NO ₂ Module	€ 491.35

BABI-STAT "QUANTUM" PARTICULATE SENSOR

Air Quality Sensor

ANOTHER ORIGINAL

- Field selectable particulate size of PM1.0, PM2.5 and PM10
- Field selectable outputs of 0 to 5 V, 0 to 10 V and 4 to 20 mA
- Laser-based, light scattering particle sensing with 10 year expected lifetime.

The BAPI-Stat "Quantum" Particulate Sensor is an accurate and reliable way of continuously monitoring the concentration of particles in a room. Laser-based sensors provide the highest accuracy for commercial applications and will measure particle concentrations from 0 to 1,000 µg/m³. Comes with a 60mm mounting base to fit European style junction boxes.

5 YEAR WARRANTY



SPECIFICATIONS

POWER: (Half-wave rectified)

7 to 40 VDC (4 to 20 mA output)
7 to 40 VDC or 12 to 28 VAC (0 to 5 VDC output)
15 to 40 VDC or 15 to 28 VAC (0 to 10 VDC output)

POWER CONSUMPTION:

75 mA max @ 24 VDC • 3 VA max @ 24 VAC

LOAD RESISTANCE:

VDC output 4K Ohms min

SENSING ELEMENT:

Laser-based, Light Scattering

SENSING ELEMENT LIFE:

10 years typical

MOUNTING:

Universal backplate (screws provided)

CONCENTRATION RANGE:

0 to 1,000 µg/m³

WIRING:

3 wires, 16 to 22 AWG

RESPONSE TIME:

<6 seconds

ACCURACY AT 25°C:

	0 to 100 µg/m ³	100 to 1,000 µg/m ³
PM1.0	±25 µg/m ³	±25% of reading
PM2.5	±15 µg/m ³	±15% of reading
PM10	±25 µg/m ³	±25% of reading

ENVIRONMENTAL OPERATING RANGE:

Temperature: -20 to 70°C
Humidity: 0 to 95% RH, non-condensing

ENCLOSURE MATERIAL & RATING:

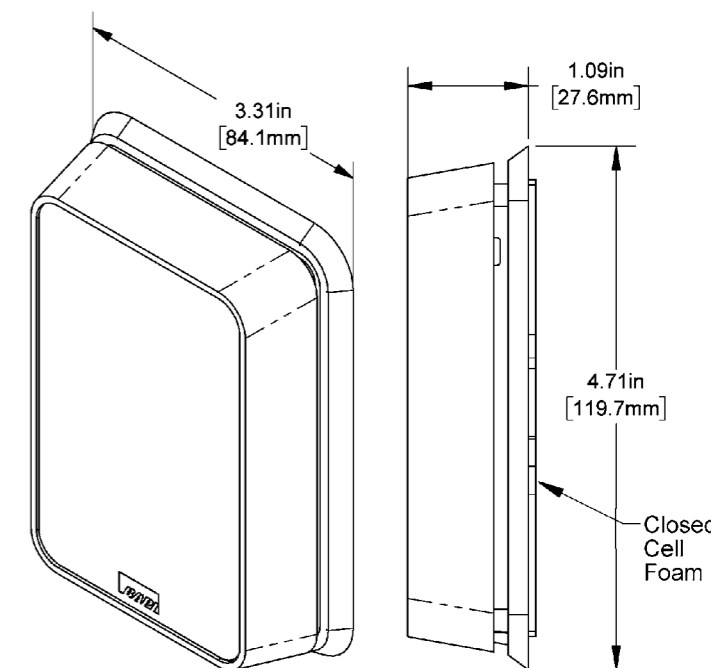
ABS Plastic, UL94 V-0

FIELD SELECTABLE PARTICULATE SIZE:

PM1.0 ≤ 1.0 µm in diameter
PM2.5 ≤ 2.5 µm in diameter
PM10 ≤ 10 µm in diameter

FIELD SELECTABLE OUTPUT:

4 to 20 mA, 0 to 5 V, 0 to 10 V



ORDERING

PART NUMBER:	DESCRIPTION:	PRICE:
BA/CQX60	BABI-Stat "Quantum" Particulate Sensor with Field Selectable Particulate Size and Output	€ 409.50

DUCT PARTICULATE SENSOR

Air Quality Sensor

- Field selectable particulate size of PM1.0, PM2.5 and PM10
- Field selectable outputs of 0 to 5 V, 0 to 10 V and 4 to 20 mA
- Laser-based, light scattering particle sensing with 10 year expected lifetime.

The BAPI-Box Duct Particulate Sensor is an accurate and reliable way of continuously monitoring the concentration of particles in a duct. The duct unit samples duct air using an aspiration tube.

Laser-based sensors provide the highest accuracy for commercial applications and will measure particle concentrations from 0 to 1,000 µg/m³.



ANOTHER ORIGINAL



SPECIFICATIONS

POWER: (Half-wave rectified)

7 to 40 VDC (4 to 20 mA output)
7 to 40 VDC or 12 to 28 VAC (0 to 5 VDC output)
15 to 40 VDC or 15 to 28 VAC (0 to 10 VDC output)

POWER CONSUMPTION:

75 mA max @ 24 VDC • 3 VA max @ 24 VAC

LOAD RESISTANCE:

VDC output 4K Ohms min

SENSING ELEMENT:

Laser-based, Light Scattering

SENSING ELEMENT LIFE:

10 Years Typical

CONCENTRATION RANGE:

0 to 1,000 µg/m³

WIRING:

3 wires, 16 to 22 AWG

RESPONSE TIME:

<6 Seconds

ACCURACY AT 25°C ±5°C:

	0 to 100 µg/m ³	100 to 1,000 µg/m ³
PM1.0	±25 µg/m ³	±25% of reading
PM2.5	±15 µg/m ³	±15% of reading
PM10	±25 µg/m ³	±25% of reading

ENVIRONMENTAL OPERATING RANGE:

Temperature: -20 to 70°C
Humidity: 0 to 95% RH, non-condensing

ENCLOSURE MATERIAL & RATING:

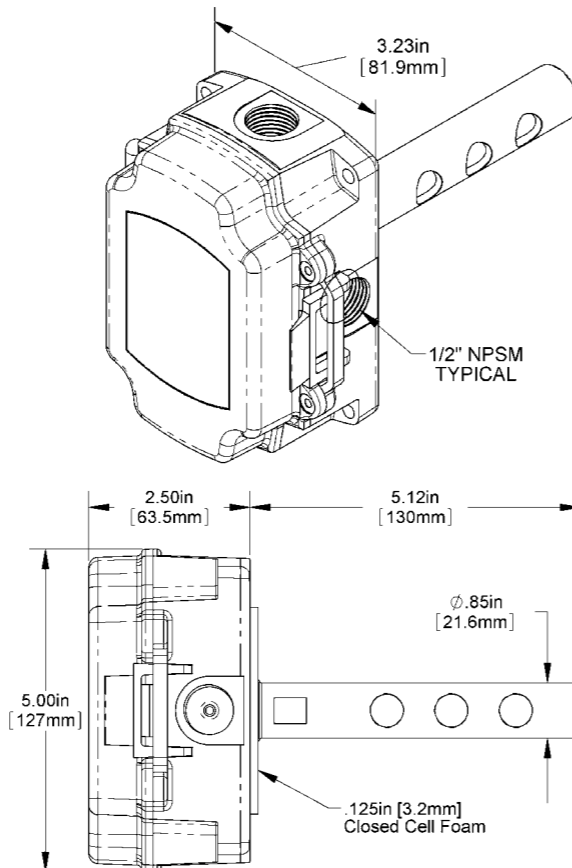
UV-resistant polycarbonate, UL94 V-0

FIELD SELECTABLE PARTICULATE SIZE:

PM1.0 ≤ 1.0 µm in diameter
PM2.5 ≤ 2.5 µm in diameter
PM10 ≤ 10 µm in diameter

FIELD SELECTABLE OUTPUT:

4 to 20 mA, 0 to 5 V, 0 to 10 V



ORDERING

PART NUMBER:	DESCRIPTION:	PRICE:
BA/PM-D-BB	Duct Particulate Sensor, Field Selectable PM Size (PM1.0, PM2.5, or PM10) and Output (4-20mA, 0-5V, or 0-10V)	€ 646.50

REFRIGERANT LEAK DETECTOR

Air Quality Sensor

- Detects most modern refrigerants
- Area monitoring for leaks and spills
- Provides a voltage output
- Automatic temperature compensation for increased accuracy

The BAPI Refrigerant Leak Detector is an area monitor that detects a wide range of refrigerants. It is not intended for critical ppm measurements nor life safety applications. The sensor is temperature compensated for improved detection of leaks and spills. The output voltage increases as the concentration of the refrigerant increases in the space.



SPECIFICATIONS

POWER SUPPLY:

9 to 40 VDC at 120 mA max
19 to 32 VAC at 5 VA

OUTPUT IMPEDANCE:

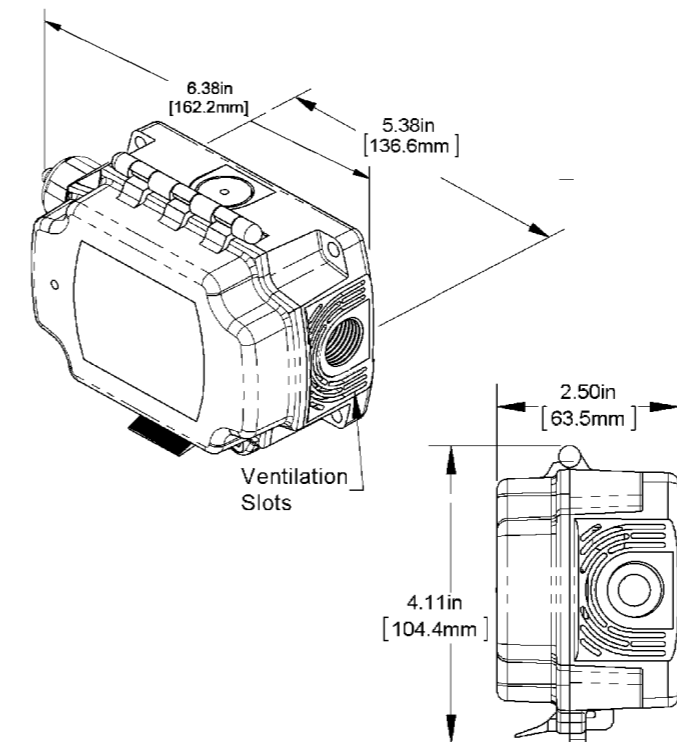
680 Ohms

OUTPUT VOLTAGE:

0.5 to 4.8 VDC

ENVIRONMENTAL OPERATING RANGE:

Temperature: 0 to 60°C



Refrigerants Detected

The BAPI Refrigerant Leak Detector is an area monitor that detects over 100 different refrigerants. It is not intended for critical ppm measurements nor life safety applications.

The sensor is temperature compensated for improved detection of leaks and spills. The output voltage increases as the concentration of the refrigerant increases in the space.

Refrigerants	Refrigerant Blends	
R-22(A1)	R-404a (A1)	R-452a (A1)
R-32 (A2L)	R-407c (A1)	R-452b (A2L)
R-125 (A1)	R-407f (A1)	R-454a (A2L)
R-134a (A1)	R-410a (A1)	R-454b (A2L)
R-1234yf (A2L)	R-424a (A1)	R-454c (A2L)
R-1234ze (A2L)	R-434a (A1)	R-455a (A2L)
	R-447a (A2L)	R-466a (A1)
	R-448a (A1)	R-507 (A1)
	R-449a (A1)	R-513a (A1)
	R-450a (A1)	

For a full list of refrigerants detected, please visit www.bapivac.co.uk.

ALSO AVAILABLE:

Sealant Filled Connectors

BAPI's Sealant Filled Connectors (SFC) contain a moisture-excluding sealant which encapsulates the electrical connection protecting it from moisture and oxidation.

See page 61 to learn more.



ORDERING

PART NUMBER:	DESCRIPTION:	PRICE:
BA/RLD	Refrigerant Leak Detector, IP66 BAPI-Box, Blue	€ 400.85
BA/RLD-W	Refrigerant Leak Detector, IP66 BAPI-Box, White	€ 400.85
BA/RLD-EL	Replacement Element	€ 51.70

NOTE: Grey shaded items follow the Buy and Resale Multiplier.

CO₂ CALIBRATION KIT

Air Quality Sensor

- Calibrates and verifies proper operation of all BAPI CO₂ room and duct sensors

BAPI's CO₂ Sensor Calibration Kit verifies the proper operation and calibrates all of BAPI's room and duct CO₂ sensors.

Two calibration gas concentrations are required to perform a complete calibration*. Purchase the single point gas at a CO₂ concentration of 400 to 800 PPM, and the span gas at 1,000 to 1,200 PPM. Only one regulator is required because it can be swapped between gas cylinders.

BAPI's CO₂ Sensor Calibration Kit consists of the following:

- A software CD containing the test software and cable drivers
- A communications cable that connects a computer to the BAPI CO₂ sensor
- A funnel used as a gas shroud
- A length of tubing to connect the funnel to the test gases
- Rubber bands to secure the funnel to the BAPI CO₂ sensor
- Shunt jumpers to place the BAPI CO₂ sensor into test mode

*Note: A single point gas may not be required. If the ambient CO₂ concentration is known, stays stable at ± 10 PPM for at least 10 minutes and is in the range of 350 to 800 PPM, you may perform the single point accuracy check and calibration without any test gas.



CO₂ Sensor Calibration Kit



CO₂ Sensor Calibration Kit with Optional Case (shown with customer supplied gas cylinders)



ORDERING

PART NUMBER:	DESCRIPTION:	PRICE:
BA/CO2-KIT	CO ₂ Sensor Calibration Kit	€ 133.60
BA/CO2-KIT-C	CO ₂ Sensor Cal. Kit with Case	€ 517.25
BA/CO2-C	Empty Case with Foam Cutouts	€ 392.25

VOC VERIFICATION KIT

Air Quality Sensor

The VOC Sensor Verification Kit allows a known VOC sample to be generated and applied to a BAPI room or duct VOC sensor. The sample tests the dynamic range of the sensor to see if the sensor element is working correctly.

The kit consists of a plastic bottle and a 60mL syringe and a comprehensive set of instructions. The customer has to supply 70% minimum Isopropyl Alcohol.



ORDERING

PART NUMBER:	DESCRIPTION:	PRICE:
BA/VOC-KIT	VOC Sensor Verification Kit	€ 15.50

ACCESSORIES & SPECIALTY SENSORS



VC350A EZ VOLTAGE CONVERTER

Accessories for HVAC/R

ANOTHER ORIGINAL



5 YEAR WARRANTY

- Self-resetting thermal fuse
- Operation & fault LED indicators
- Output protected against overload and accidental shorting
- Adjustable 5 to 24 VDC output

BAPI's VC350A-EZ is a cost-effective way of converting 24 VAC or VDC to 5, 12, 15 or 24 VDC for use on peripheral devices that require DC voltage. The converter is available with a 350 mA output. The revolutionary mounting system allows for DIN rail or surface mounting.

Although most BAPI room units can run on 24 VAC power, converting to DC power eliminates the AC power "noise" which can affect the room sensor readings. The adjustable model (-ADJ) has an output of 5 to 24 VDC.

SPECIFICATIONS

OUTPUT VOLTAGE:	5 to 24 VDC @ 350 mA
RECOMMENDED INPUT VOLTAGE:	18 to 28 VAC, 24 VDC (15 VA)
ENVIRONMENTAL OPERATING RANGE:	Humidity: 0 to 95% RH, non-condensing Temperature: -40 to 65°C: 350 mA @ any output voltage -40 to 70°C: 350 mA @ 5 VDC 330 mA @ 10 VDC 280 mA @ 12 VDC 224 mA @ 15 VDC 140 mA @ 24 VDC
ENVIRONMENTAL STORAGE RANGE:	-40 to 80°C
WIRING:	4 wires, 16 to 22 gauge

RECTIFICATION:
Half-wave rectified

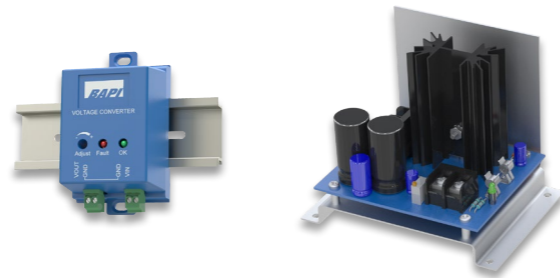
GROUNDING:
AC & DC Ground are Common

Output Of Unit	Minimum (VAC/VDC)	Maximum (VAC/VDC)	Input Current@ Min Input Volts (AC/DC)
5V	5.0/9.0	28.0/35.0	5.2 VA/305 mA
10V	10.0/14.7	28.0/35.0	8.3 VA/315 mA
12V	12.0/16.9	28.0/35.0	9.5 VA/318 mA
15V	15.0/20.5	28.0/35.0	11.2 VA/320 mA
24V	24.0/31.0	28.0/35.0	16.7 VA/325 mA

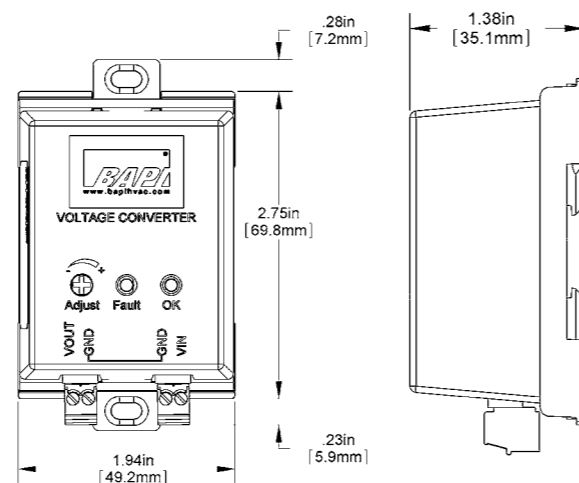
APPLICATION NOTE:

Why use DC instead of AC power

Most modern HVAC control systems have 24 VAC available, and most of BAPI's products can run on 24VAC, yet BAPI recommends powering them with DC voltage. Why? Read our app note to find out.



Visit www.bapivac.co.uk/resource-library to learn more.



ORDERING

PART NUMBER:	DESCRIPTION:	PRICE:
BA/VC350A-EZ-ADJ	Adjustable Voltage Converter, DIN Rail Mount, Self-Resetting Thermal Fuse with Operation and Fault LED indicators, Fixed or Adjustable Outputs, Overload Protection	€ 28.45

VC2000 VOLTAGE CONVERTER

Accessories for HVAC/R



5 YEAR WARRANTY

- Compact and cost-effective
- Regulated and adjustable 1.2 VDC to 24 VDC output
- Output protected against overload and accidental short circuit

BAPI's VC2000 Voltage Converters are accurate, rugged and reliable power sources designed for commercial energy management applications.

The 2 Amp Voltage Converter accepts a 24 VAC input which can be field adjusted to a regulated output of 1.2 VDC to 24 VDC (factory set for 24 VDC). The input can be field configured for full or half wave rectification. The unit includes an output fuse to protect against overload and short circuits, a power indication LED, and is available with or without a backplate on the steel mounting bracket. Self-resetting or cartridge fuses may be specified at the time of order.

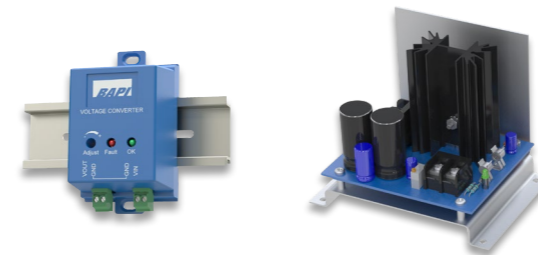
SPECIFICATIONS

INPUT VOLTAGE RANGE:	24 VAC (100 VA)
FUSE PROTECTION:	4 Amp, output side
OUTPUT VOLTAGE RANGE:	1.2 VDC to 24 VDC
MAXIMUM OUTPUT CURRENT:	2.0 Amps
ENVIRONMENTAL OPERATING RANGE:	Temperature: -40 to 70°C
RECTIFICATION:	Field Selectable as Full or Half Wave
WIRING:	16 to 22 AWG

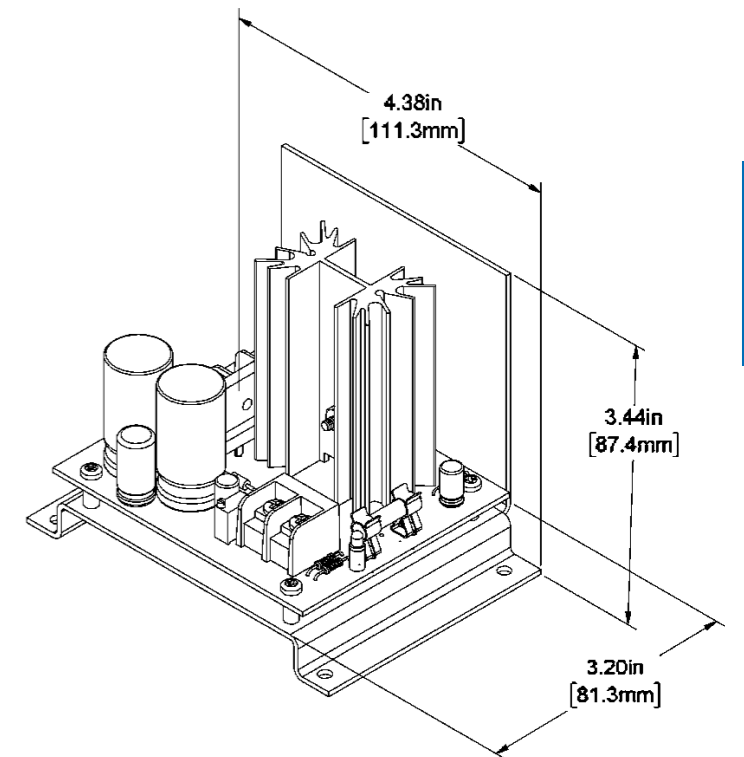
APPLICATION NOTE:

Why use DC instead of AC power

Most modern HVAC control systems have 24 VAC available, and most of BAPI's products can run on 24VAC, yet BAPI recommends powering them with DC voltage. Why? Read our app note to find out.



Visit www.bapivac.co.uk/resource-library to learn more.



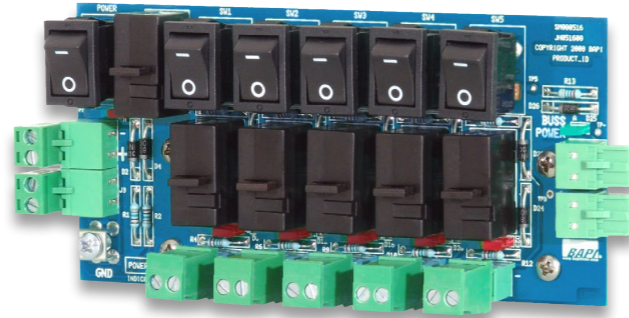
ORDERING

PART NUMBER:	DESCRIPTION:	PRICE:
BA/VC2B-F	Backplate with Cartridge Fuse, Regulated and Adjustable Output 1.2V DC to 24V DC, Overload Protection	€ 103.45

POWER DISTRIBUTION MODULE

Accessories for HVAC/R

- 5 circuit power distribution
- 12 to 30 VAC/VDC operation
- Individual circuit power switches
- Power and fault LED's
- Individual 3 Amp circuit protection



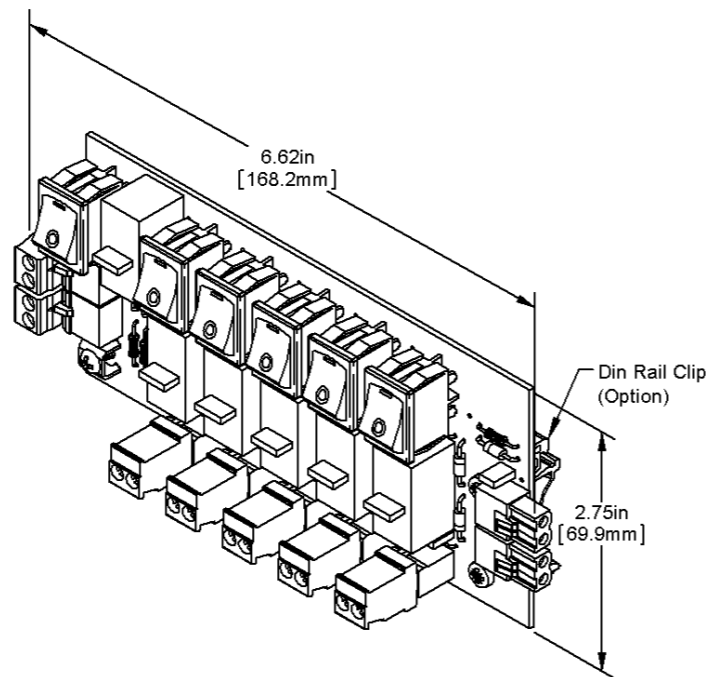
The PDM - Power Distribution Module is a low voltage (12 to 30 VAC/VDC) power distribution module designed to take a single power source and distribute that power to 5 individual circuits. Units can be linked together to achieve additional circuits with a minimum of panel space.

A common module On/Off switch and 10 amp breaker powers the distributed circuits. Each circuit has an individual On/Off switch and individual field connection terminals. The PDM has individual circuit protection with a 3 amp breaker and an individual power LED and fault LED per circuit.



SPECIFICATIONS

SUPPLY VOLTAGE:	12 to 30 VAC/VDC 10 amps max
CIRCUIT DISTRIBUTION:	5 circuits
CIRCUIT PROTECTION:	Master Breaker 10 amp, push to reset Individual Breaker 3 amp, push to reset
VISUAL INDICATORS:	Power Green LED, master & individual Fault Red LED, master & individual
ON/OFF SWITCHING:	Master Common rocker switch Circuit Individual rocker switch
CONNECTION:	Plug in terminal strip Cage clamp, 28-12 AWG
MOUNTING:	70mm Snaptrack Module to module close connection
ENVIRONMENTAL OPERATING RANGE:	Temperature: -40 to 70°C



ORDERING

PART NUMBER:	DESCRIPTION:	PRICE:
BA/PDM-5-B	Five Circuit Power Distribution Module, w/ Breaker	€ 313.75

DOOR MONITOR ALARM

Specialty Sensor for HVAC/R

- For use with Normally Closed (NC) door switches
- Door status LEDs
- Two auxiliary relays with status LEDs
- Audible annunciator
- User selectable time periods



The BAPI Door Monitor Alarm (DMA) monitors a door switch to alert personnel when the door is closed, open or has exceeded its user-selectable open time period. Green, amber and red LEDs on the face of the unit alert nearby personnel the door's status.

Leaving the door open for longer than the user-selected time will also energize an internal audible annunciator to alert nearby personnel that the door should be closed immediately. The unit also has two auxiliary relays that will energize whenever the door is opened to alert other user-supplied warning devices or a building automation system.

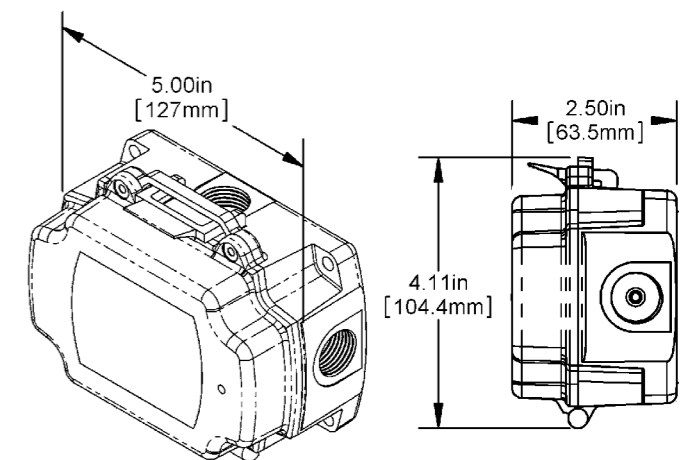
A green LED inside the unit illuminates whenever power is present and red LEDs inside illuminate when the auxiliary relays are energized to assist with installation and troubleshooting.



SPECIFICATIONS

POWER:	24 VAC or 24 VDC (UL listed class 2 power source only)
POWER CONSUMPTION (MAX):	75 VA @ 24 VAC, 200 mA @ 24 VDC
SENSOR:	Normally Closed (NC) = door open is alarm condition Normally Open (NO) = door closed in alarm condition
AUXILIARY RELAY CONTACT RATING:	1.0 Amp @ 30 VAC/VDC
AUDIBLE ANNUCIATOR:	90 dB; 2,730 Hz
WIRING:	16 to 22 AWG
ENVIRONMENTAL OPERATING RANGE:	Temperature: 32 to 140°F (0 to 60°C) Humidity: 5 to 95% RH, non-condensing
ENCLOSURE MATERIAL & RATING:	UV-resistant polycarbonate, UL94 V-0
ENCLOSURE RATING:	IP66

Amber Status, Red Status and Green Status



ORDERING

PART NUMBER:	DESCRIPTION:	PRICE:
BA/DMA	Door Monitor Alarm, User Selectable Time Periods with Two Auxiliary Relays and LED Indication	€ 693.90
BA/DMA-RSW1	Press Fit Magnetic Contact, 19mm diameter	€ 8.60
BA/DMA-RSW2	Mechanical Surface Mount Switch, 64mm length	€ 27.60

NOTE: Grey shaded items follow the Buy and Resale Multiplier.

WATER LEAK DETECTOR

Accessories for HVAC/R

- Detection within 5 seconds with local LED alarm indication
- Two 5 amp relays @ 30 VAC/DC
- Atta, remote or rope sensor design
- IP66-rated enclosure

The Water Leak Detector is designed to sense the presence of water and alert a central monitoring system of the potentially destructive situation. Upon water detection, the alarm relays change state, and a local red LED illuminates. The unit can be set for latching or non-latching alarm, and normally energised or normally de-energised operation.



SPECIFICATIONS

POWER: (Half-wave rectified)

24 VAC ±10%, 3.9 VA max @ 24 VAC, 90mA max @ 24 VDC (reverse polarity protected) NOTE: This unit doesn't require a separate isolation power supply

WIRING:

Screw Terminals: 2 to 3 pairs 12 to 22 AWG
 Water Detection Sensor: 2 wires (provided)
 Optional Flex Connector or Liquid Tight Fitting for strain relief

SENSOR:

Attached: SS probe w/ adjustable depth screw from 1.6 to 21.34mm
 Remote: Sensor w/ adjustable depth from 1.57 to 12.7mm, Mounts to pan with industrial adhesive tape or 4mm mounting holes
 Rope: Plenum Rated sensor cable, detects 3.175mm of water. Max length: 30.5m

ALARM CONTACTS:

LDT4: Two SPDT, 5amp relays

LOCAL INDICATION:

1 Green Power LED, 1 Red Alarm LED

RESET ACTION:

If latching, local pushbutton or power interrupt

ENCLOSURE MATERIALS & RATINGS:

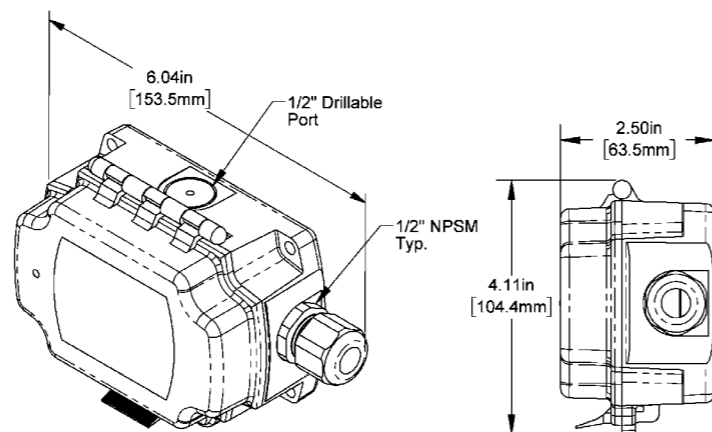
Remote Sensor: Submersible, with FEP plenum-rated, waterproof cable
 Detector: BAPI-Box, IP66 polycarbonate enclosure

ENVIRONMENTAL OPERATING RANGE:

Remote Sensor: -20 to 70°C, 0 to 100% RH, condensing
 Rope Sensor: 0 to 75°C, 0 to 95% RH, non-condensing
 Detector (BB): -20 to 70°C, 0 to 95% RH, non-condensing

LATCHING AND SUPERVISED RELAY OPTIONS:

Latching: Relays stay in alarm until manually reset or power is cycled
 Non-Latching: Relays automatically reset after water is removed (default)
 Unsupervised: Relays energise on water detection
 Supervised: Relays de-energise on water detection (default)
 Note: Relays de-energise on loss of power



ORDERING

PART NUMBER:	DESCRIPTION:	PRICE:
BA/LDT4-PS-BB	Transmitter with Two SPDT 5A Contacts, Probe Sensor Built into IP66 BAPI-Box	€ 210.40
BA/LDT4-RR10-BB	Transmitter with Two SPDT 5A Contacts, IP66 BAPI-Box, Remote Rope Sensor with 3m Cable	€ 332.75
BA/LDT4-RR25-BB	Transmitter with Two SPDT 5A Contacts, IP66 BAPI-Box, Remote Rope Sensor with 76m Cable	€ 547.45
BA/LDT4-RR50-BB	Transmitter with Two SPDT 5A Contacts, IP66 BAPI-Box, Remote Rope Sensor with 15.2m Cable	€ 906.05
BA/LDT4-RR100-BB	Transmitter with Two SPDT 5A Contacts, IP66 BAPI-Box, Remote Rope Sensor with 30.5m Cable	€ 1,623.30
BA/LDT4-RS25-BB	Transmitter with Two SPDT 5A Contacts, IP66 BAPI-Box, Remote Spot Sensor with 76m Cable	€ 218.10
BA/LDT-RR-MB	Rope Sensor Mounting Bracket, 25 pack	€ 94.80

NOTE: Grey shaded items follow the Buy and Resale Multiplier.

OUTDOOR LIGHT LEVEL SENSOR

Accessories for HVAC/R

- 0 to 2,000 Lux level range
- Extremely sensitive, even in dim lighting (<108 lux)
- Rugged and watertight enclosure

The BAPI Outdoor Light Level Sensor conserves energy by allowing lights to be shut off when the ambient light level exceeds a specified level. The sensor can also help ensure safety by allowing lights to be turned on when the ambient light falls below a specified level. The unit comes in a rugged and watertight UV-inhibited polycarbonate enclosure with an IP66 rating. The light level range measures lux with a 0 to 10V output.



SPECIFICATIONS

POWER SUPPLY:

10 to 35 VDC, 22mA max (for 0 to 5 VDC or 4 to 20 mA Outputs)
 15 to 35 VDC, 6 mA max (for 0 to 10 VDC Output)
 12 to 27 VAC, 0.53 VA max (for 0 to 5 VDC Output)
 15 to 27 VAC, 0.14 VA max (for 0 to 10 VDC Output)

OUTPUTS:

0 to 10 V

ACCURACY:

10 Lux ±10% of reading

ENVIRONMENTAL OPERATING RANGE:

Temperature: -40 to 85°C
 Humidity: 0 to 100% RH, non-condensing

ENCLOSURE MATERIAL:

UV-Inhibited polycarbonate

ENCLOSURE RATING:

IP66

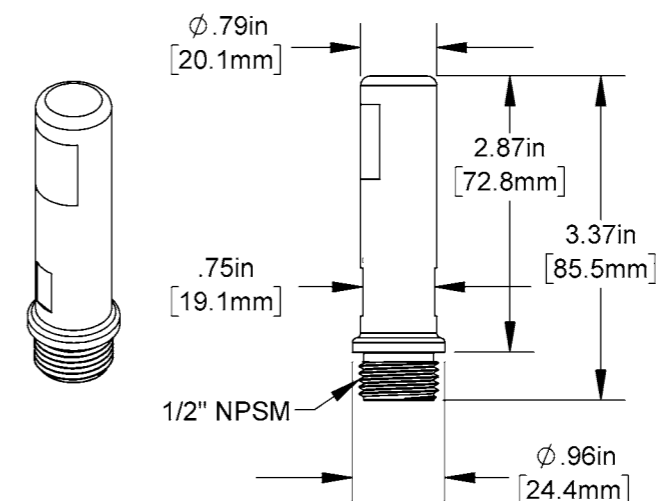
ALSO AVAILABLE:

Sealant Filled Connectors

BAPI's Sealant Filled Connectors (SFC) contain a moisture-excluding sealant which encapsulates the electrical connection protecting it from moisture and oxidation.



See page 61 to learn more.



ORDERING

PART NUMBER:	DESCRIPTION:	PRICE:
BA/LLV-10-LX[0 TO 2000]	Light Level Sensor with 0-10V output, 0 to 2,000 Lux Range	€ 237.05

BAPI-GUARD

Accessories for HVAC/R

- Prevents tampering, damage and unauthorised adjustment
- Exceptional airflow or proper thermostat operation
- Low profile design with two sizes to fit most thermostats
- Made from thick and durable polycarbonate

The BAPI-Guard prevents tampering, physical damage and unauthorised adjustment of thermostats. The attractive design is available in two sizes to fit most thermostats. It is made of thick, durable polycarbonate and features exceptional airflow, key lock protection, horizontal or vertical mounting and easy installation with hardware included.



SPECIFICATIONS

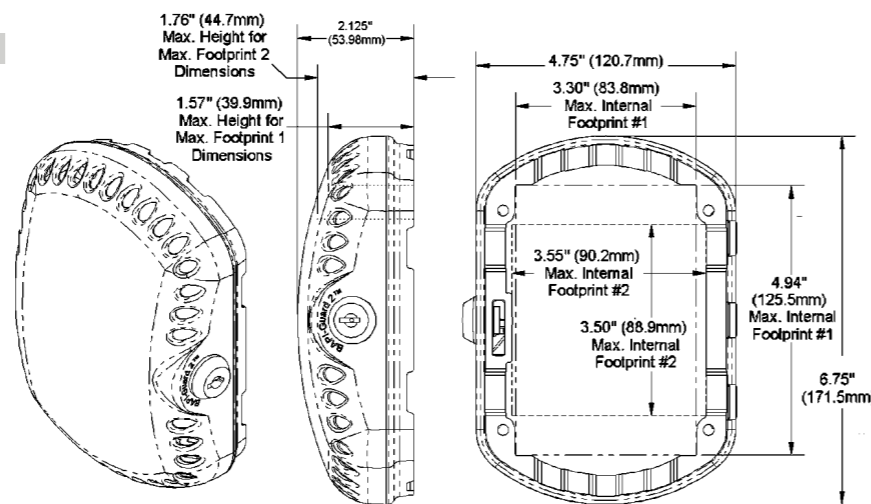
MATERIAL:

Polycarbonate

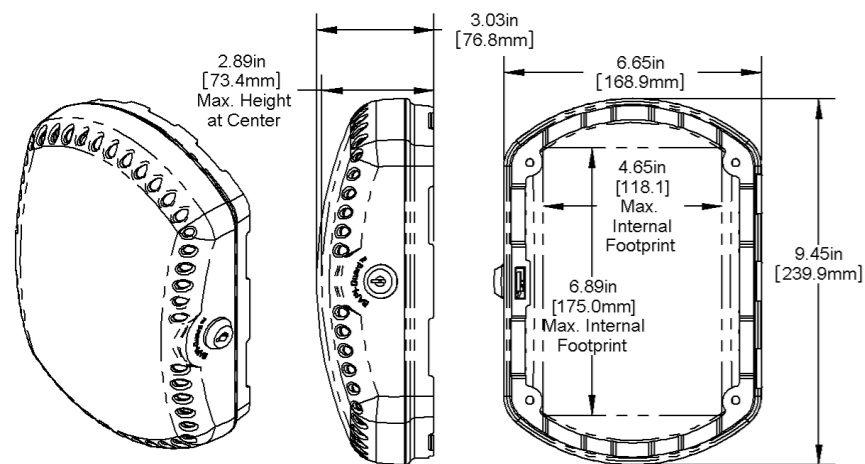
MATERIAL RATING:

UL 94 V-0

BAPI-Guard 2



BAPI-Guard



ORDERING

PART NUMBER:	DESCRIPTION:	PRICE:
BA/BG	Large BAPI-Guard Thermostat Protector, Key Lock Protected, Exceptional Airflow, Durable, Horizontal or Vertical Mounting	€ 38.80
BA/BG2	Small BAPI-Guard Thermostat Protector, Key Lock Protected, Exceptional Airflow, Durable, Horizontal or Vertical Mounting	€ 30.15

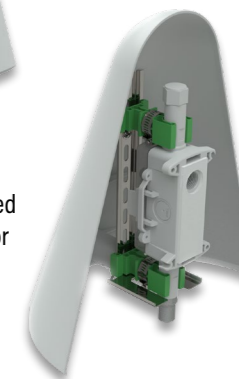
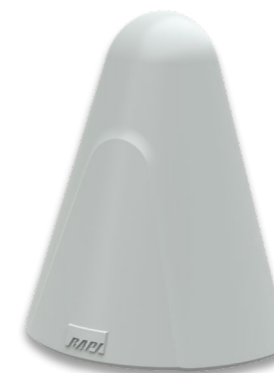
WEATHER SHADE

Accessories for HVAC/R

- Improves accuracy by blocking solar heat gain
- Simple and sturdy mounting method
- UV-stabilised plastic prevents yellowing
- Protects the sensor filter to extend filter life

External temperature, humidity and air quality sensors can be affected by solar heat gain. The BAPI Weather Shade effectively blocks solar heat gain, improving the accuracy of the sensor.

The Weather Shade is constructed of UV-stabilised plastic to prevent yellowing. The material also has a high reflectivity rating (87%) and low emissivity rating (0.90) to minimise the radiant heat created from solar gain. Besides blocking solar heat gain, the shade also protects the probe filter from precipitation and grit, extending the life of the filter.



Weather Shade mounted on a BAPI-Box 2 Sensor

SPECIFICATIONS

SHADE MATERIAL:

UV-stabilised UL94 V-0 polycarbonate

SHADE MATERIAL RATINGS:

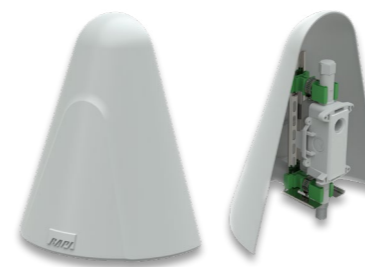
Reflectivity: 87%

Emissivity: 0.90

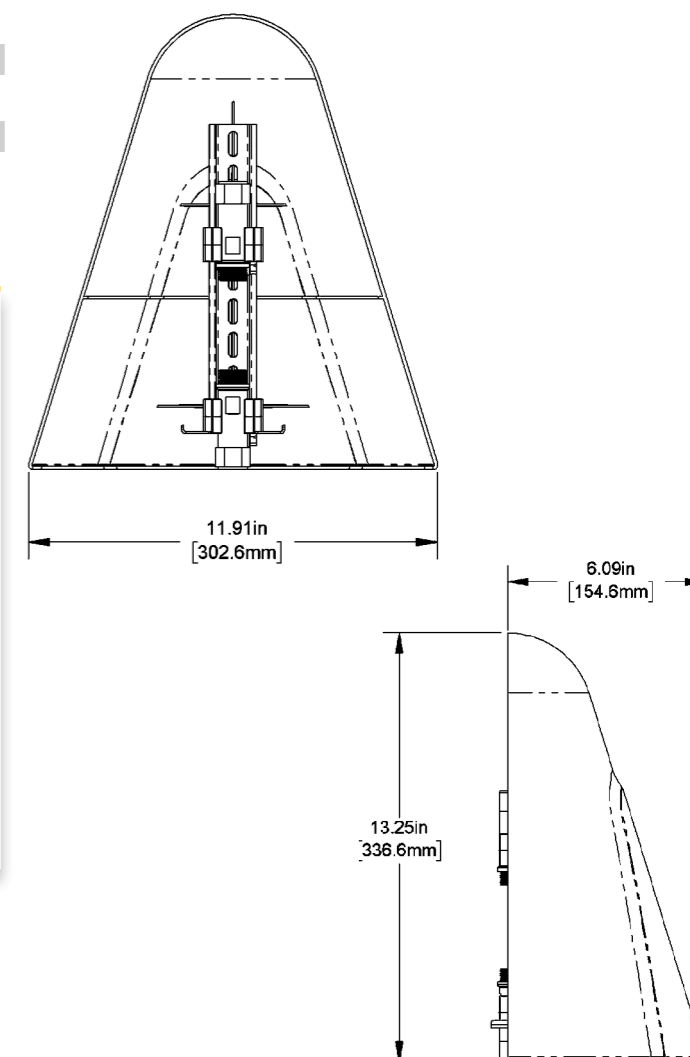
APPLICATION NOTE:

MINIMISING SOLAR HEAT GAIN

Learn how you can minimise solar heat gain on outdoor temperature sensors using BAPI's Weather Shade.



Visit www.bapivac.co.uk/resource-library to learn more.



ADAPTOR PLATES

Accessories

BAPI Adaptor Plates are designed to cover wall imperfections when installing wall sensors or thermostats. They are made in four different sizes and three different colors to match the sensor. The Adaptor Plates can be painted or wall papered in place if architecturally required.

SPECIFICATIONS

MATERIAL:

ABS Plastic, Flame-retardant, UL94 V-0

APPLICATION:

Horizontal or Vertical

MOUNTING:

Universal backplate (screws provided)

COLOR MATCH:

BW, Bright White: BAPI-Stat "Quantum" and "Quantum Prime" Room Units (Approx. Pantone Bright White) also Delta and BAPI-Stat 4 Units purchased after 2020

WMW, Warm White: Delta & BAPI-Stat 4 purchased before 2021, EU, BAPI-Box (Approx. Pantone Warm Gray 2)

OFW, Off White: BAPI-Stat 3 (Approximately Pantone Warm Gray 1)

CPW, Copla White: Delta, BAPI-Stat 4 (Approximately Pantone Cool Gray 2)

CDW, Cloud White: Delta, BAPI-Stat 4 (Approximately Pantone Cool Gray 1)



Copla White

Similar to our Delta and BAPI-Stat 4 style room sensors when ordered as Copla White

Warm White

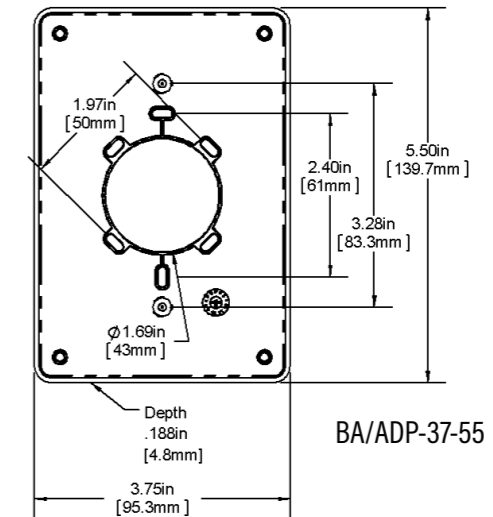
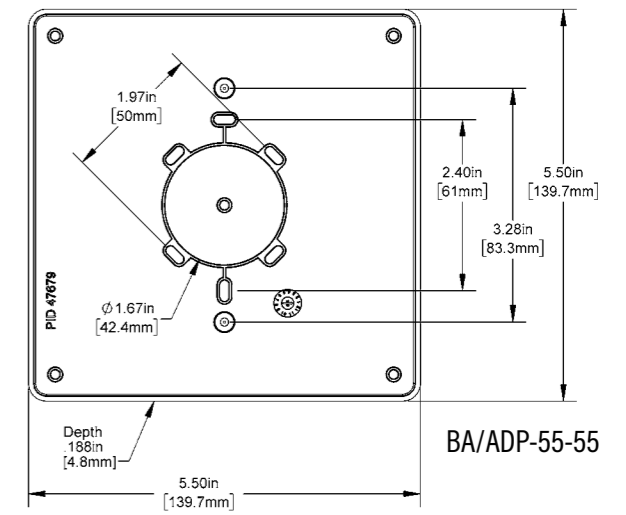
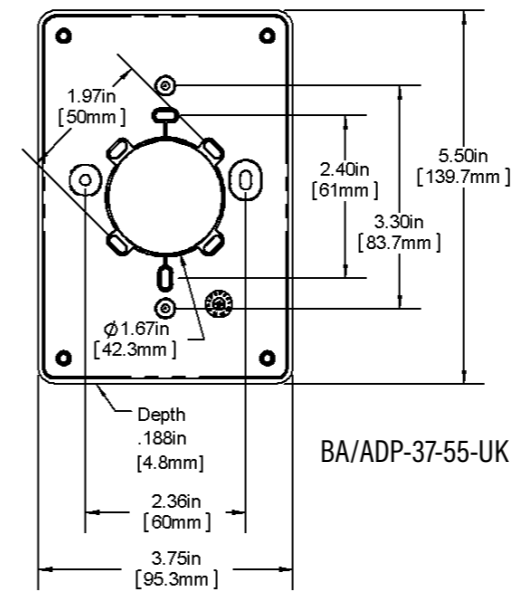
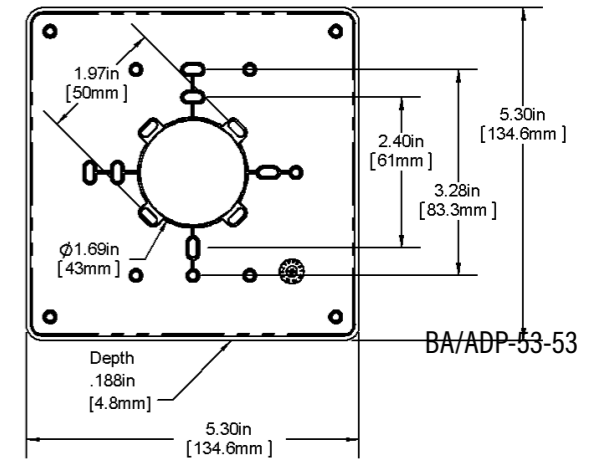
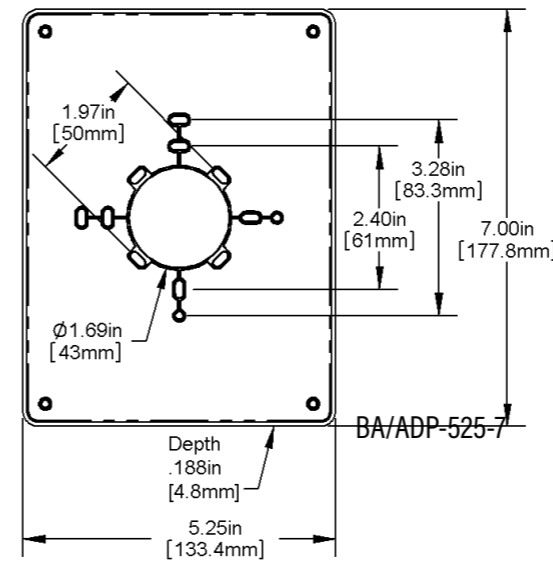
The same as our Beige, standard on our Delta and BAPI-Stat 4 style room units

Bright White

Standard for our BAPI-Stat "Quantum" and "Quantum Prime" room units

BAPI Adaptor Plate Colors

The colors in this image are approximate. The actual colors may vary slightly from those shown here.



ORDERING

PART NUMBER:	DESCRIPTION:	PRICE:
BA/ADP-525-7-BW	Adaptor Plate 133 x 178mm Bright White	€ 15.50
BA/ADP-53-53-BW	Adaptor Plate 135 x 135mm Bright White	€ 15.50
BA/ADP-37-55-BW	Adaptor Plate 95 x 140mm Bright White	€ 15.50
BA/ADP-55-55-BW	Adaptor Plate 140 x 140mm No Holes Bright White	€ 15.50
BA/ADP-37-55-BW-UK	Adaptor Plate Europe 95 x 140mm with 60mm Spaced Screw Holes Bright White	€ 15.50
BA/ADP-37-55-WMW-UK	Adaptor Plate Europe 95 x 140mm with 60mm Spaced Screw Holes Warm White	€ 15.50
BA/ADP-37-55-CPW-UK	Adaptor Plate Europe 95 x 140mm with 60mm Spaced Screw Holes Copla White	€ 18.10

FLEXIBLE PROBE BRACKET

Accessories

The Flexible Probe Bracket (FPB) is used to mount averaging sensors, low limit thermostats, or liquid filled thermostats in duct applications for probe diameters from 3, 6.5 and 9.5mm.

The bracket is used to reverse the direction of the flexible probe with a smooth arc to eliminate the risk of kinking the sensor and damaging the probe.



ORDERING

PART NUMBER:	DESCRIPTION:	PRICE:
BA/FPB-50	Flexible Probe Bracket for Mounting Averaging Sensors Quickly, Eliminates Risk of Damaging the Probe, 50 Pack	€ 156.90

NOTE: Grey shaded items follow the Buy and Resale Multiplier.

BAPI-Box Crossover (BBX) with Wiring Gland

Termination Box

The BAPI-Box Crossover enclosure features a hinged cover with thumb latch for easy termination. Includes wiring gland.



ORDERING

PART NUMBER:	DESCRIPTION:	PRICE:
BA/BBX-RP-LTF	BAPI-Box Crossover Enclosure with Wiring Gland for Remote Probes and Concave Probes	€ 8.60

SEALANT FILLED CONNECTORS

Accessories

BAPI's Sealant Filled Connectors (SFC) contain a moisture-excluding sealant which encapsulates the electrical connection protecting it from moisture and oxidation. This encapsulation also reduces the potential for fire, electrocution and flashover.

The SFC3000 accepts two wires of 19 to 26 AWG, and they are simple to use. To terminate the two wires, crimp down on the top with a set of pliers. It has a voltage rating of 50 volts with an operating temperature of -40 to 70°C, and it is compliant to RoHS 2011/65/EU.



ORDERING

PART NUMBER:	DESCRIPTION:	PRICE:
BA/SFC3000-100	Crimp-On Style Sealant Filled Connectors, 19-26 AWG, 100 pcs	€ 17.25

NOTE: Grey shaded items follow the Buy and Resale Multiplier.

WIRING GLAND

Accessories

Wiring Glands are available for the open port in the BAPI-Box Crossover Enclosure. Includes the locknut.



ORDERING

PART NUMBER:	DESCRIPTION:	PRICE:
BA/LTF-100	Wiring Gland, 100pcs	€ 134.70

RUBBER GROMMET

Accessories

Rubber Grommets are available for the open port in the BAPI-Box Crossover as well as the non-threaded ports in the BAPI-Box and BAPI-Box 2. The plugs will also work in panels with a metal thickness of 3mm or smaller.

The grommets are made of TPE (Thermoplastic Elastomer) and feature a pierceable center membrane for easy cable insertion. When used with the proper diameter cable, the plugs form an excellent cable seal after piercing.



ORDERING

PART NUMBER:	DESCRIPTION:	PRICE:
BA/PKP-100	Pierceable Knockout Plugs for Enclosure Ports, 100pcs	€ 47.40

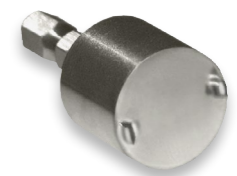
NOTE: Grey shaded items follow the Buy and Resale Multiplier.

CLEAN-CUT TOOL

Accessories

The Clean-Cut hole cutter is designed to cut out the plastic plugs in the 13mm threaded ports of the BAPI-Box and BAPI-Box 2 polycarbonate enclosures.

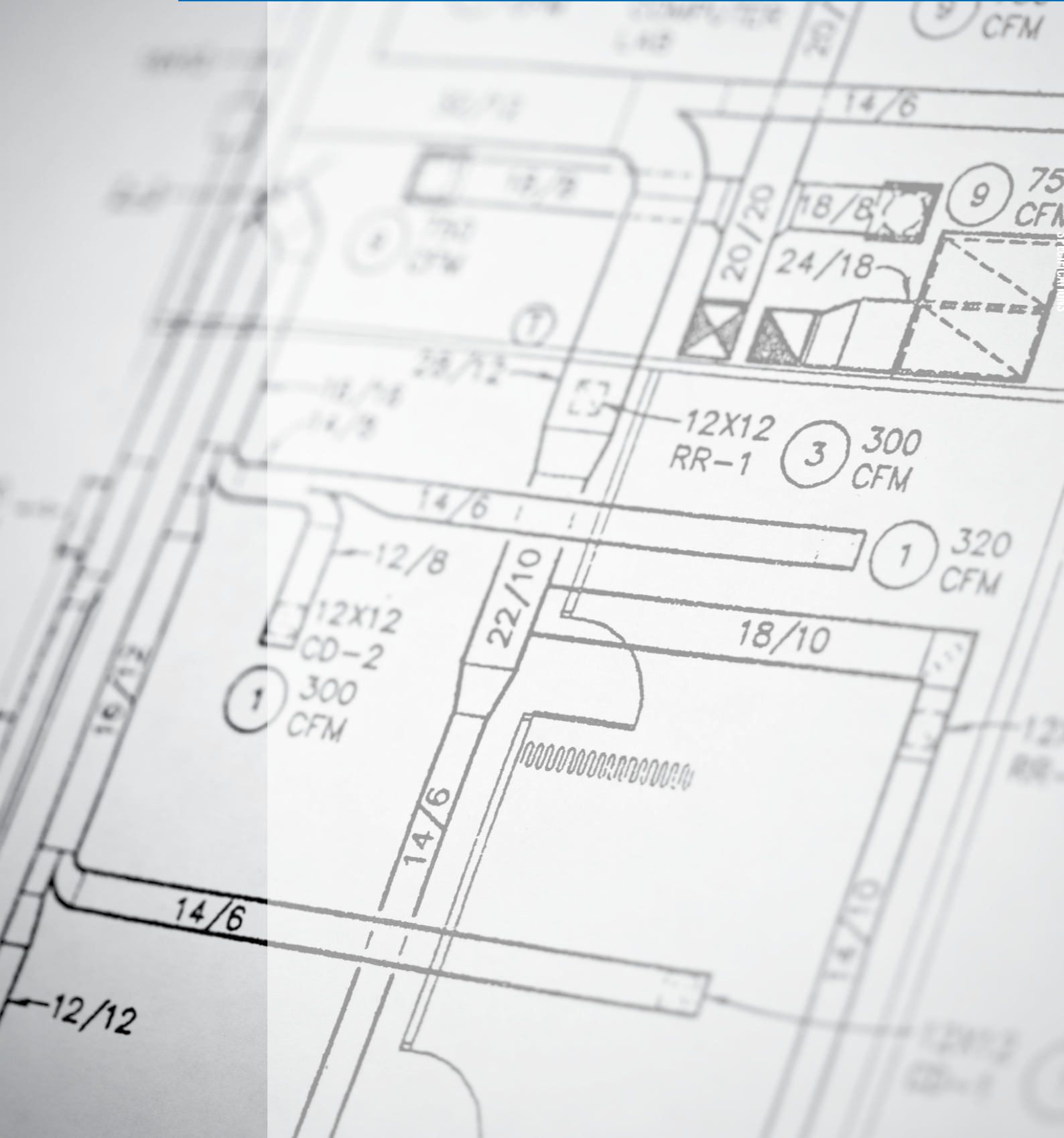
A built-in stop prevents the tool from pushing through and possibly damaging sensitive electronics within the box, so there's no need to remove the items to drill the hole. The Stainless Steel construction keeps its edge and lasts for over 1,000 operations in both directions.



ORDERING

PART NUMBER:	DESCRIPTION:	PRICE:
BA/CLN-CUT-50	Clean-Cut 1/2in threaded knockout cutting tool for BAPI-Box and BAPI-Box2	€ 86.20

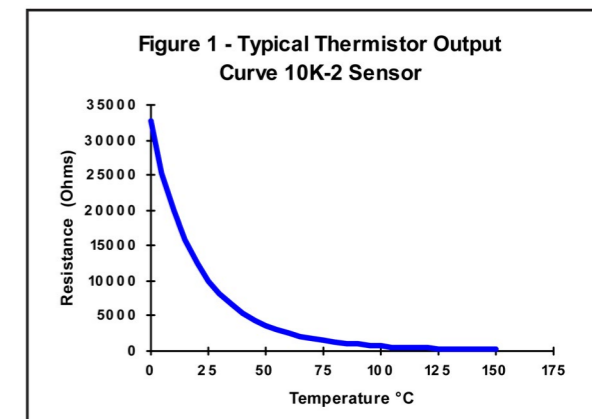
SPECIFICATIONS



THERMISTOR OVERVIEW

Sensor Specifications

BAPI Thermistors are thermally sensitive resistors known for exhibiting a large change in resistance with only a small change in temperature. It is important to note that a thermistor's change in resistance is non-linear. It follows a pre-defined curve which is provided by the thermistor manufacturer. An example of a thermistor output curve can be seen in Figure 1.



Thermistors are manufactured to follow a specific curve with a high degree of accuracy. All BAPI thermistors have a standard accuracy of $\pm 0.2^\circ\text{C}$ throughout the commercial temperature range of 0 to 70°C , except the 10K-4 thermistor which has a standard accuracy of $\pm 1\%$ at 70°C . BAPI also has available a higher accuracy sensor for meeting tougher specs. The extra precision [XP] line has an initial accuracy of $\pm 0.1^\circ\text{C}$ throughout the commercial temperature range of 0 to 70°C . Please call for availability and pricing on [XP] line thermistors. Both accuracy levels allow BAPI thermistors to be interchangeable without the extra expense of offsetting the controller.

* All passive thermistors 10K Ω and smaller are CE compliant.

SPECIFICATIONS

Definition of Specification Terms

INTERCHANGEABILITY TOLERANCE (ACCURACY):

The maximum amount that thermistors following the same curve will differ from each other.

DISSIPATION CONSTANT:

The power needed to raise the thermistor's body temperature by 1°C . At the heart of all BAPI thermistor products is a sensor with a $2.7 \text{ mW}/^\circ\text{C}$ dissipation constant to ensure that selfheating stays at an absolute minimum.

STABILITY (DRIFT):

The amount that the resistance characteristics of a thermistor will change. BAPI uses only the highest quality, "pre-aged" thermistors with very small drift values. Over a ten year span, BAPI thermistors will not change more than 0.1°C .

OPERATING RANGE:

The operating range shown is for the thermistor only. The mounting package may further limit the operating range and is described on each mounting type specification. The thermal time constant will also be affected based on the added mass of the stainless steel probe and moisture protection encapsulation.

THERMAL TIME CONSTANT:

Bare sensors are typically measured and specified in still air and are timed at the statistical 63.2% of the step temperature change. A stirred liquid test will typically result in a much faster response time and is also timed at 63.2% of the step temperature change. The time constant is always the same whatever the temperature step change may be.

Thermistor Specifications

INTERCHANGEABILITY TOLERANCE (ACCURACY):

All thermistors except 10K-4
Standard Sensor: $\pm 0.2^\circ\text{C}$ (0 to 70°C)
10K-4 thermistor
 $\pm 1\%$ @ 25°C

DISSIPATION CONSTANT:

$2.7 \text{ mW}/^\circ\text{C}$

STABILITY (DRIFT):

Less than 0.02°C / year

THERMAL TIME CONSTANT:

5 seconds (bead in still air)
.5 seconds (stirred liquid)

Sensor Type	Reference Resistance	Operating Range
10K-2**	10 K Ω @ 25°C	-55 to 150°C
10K-3**	10 K Ω @ 25°C	-55 to 150°C
10K-4	10 K Ω @ 25°C	-55 to 150°C

**Available as an [XP] high accuracy sensor. Minimum quantities and long lead times may apply. 10K-2[XP] and 10K-3[XP] thermistors are typically stocked items

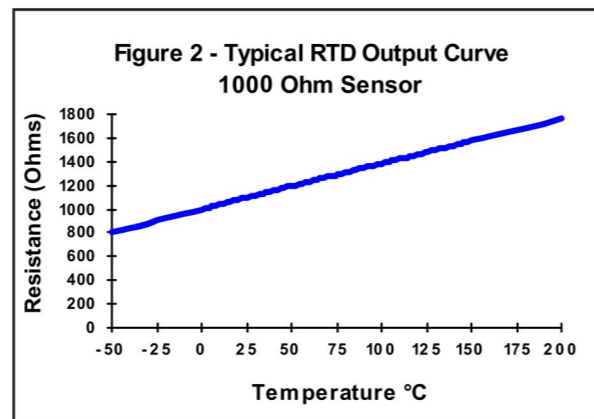
RTD OVERVIEW

Sensor Specifications

BAPI RTDs (Resistance Temperature Detectors) are thermally sensitive resistive elements that exhibit a small change in resistance per degree of temperature change. RTDs are especially recognised for excellent linearity throughout their temperature range with a high degree of accuracy and repeatability. An example of an RTD output curve can be seen in Figure 2.

RTDs supplied in BAPI products feature a standard interchangeability tolerance of $\pm 0.3^{\circ}\text{C}$ measured at 0°C . Higher accuracy sensors are also available. The Class A line [A] has an interchangeability tolerance of $\pm 0.15^{\circ}\text{C}$ measured at 0°C . Please call for availability and pricing on Class A RTDs. Whether standard or Class A, BAPI RTDs have such a high accuracy that they can be interchanged without the expense of offsetting the controller.

Most RTD sensing elements can be packaged to withstand an extremely broad temperature range (-200 to 600°C). For most purposes, the standard operating range should be sufficient, but we also have RTDs with a higher or lower operating temperature range. BAPI offers 1 k Ω Platinum RTDs with the ranges shown in the specifications below.



SPECIFICATIONS

RTD Specifications

TOLERANCE OF RESISTANCE (ACCURACY):

Single Point Standard: 0.12% at 0°C
 Averaging Standard: 0.2% at 0°C

TOLERANCE IN $^{\circ}\text{C}$:

Single Point Standard: $\pm(0.3 + 0.005T)$; T= Temp in $^{\circ}\text{C}$
 Averaging Standard: $\pm(0.5 + 0.005(T-25))$; T= Temp in $^{\circ}\text{C}$

STABILITY (DRIFT):

0.14 $^{\circ}\text{C}$ with 6,000 continuous hours at 400°C

SENSITIVITY:

1K Ω : 3.85 $\Omega/^{\circ}\text{C}$

SELF HEATING (1K RTD ONLY):

0.4 $^{\circ}\text{C}/\text{mW}$ at 0°C

STANDARDIZATION:

DIN 43760-1980, IEC Pub 751-1983, JIS C1604-1989

Sensor Type	Reference Resistance	Temp. Coefficient	Operating Range
BA/1K*	1 k Ω @ 0°C	3.85 $\Omega/^{\circ}\text{C}$	-60 to 150°C

*Available as an [A] high accuracy sensor.

Example: BA/1K[A]-I-2" (high accuracy immersion sensor)

STANDARD & EXTREME TEMP RANGES FOR THE 1K Ω PLATINUM RTD

Range	$^{\circ}\text{C}$
Standard	-60 to 150
Low Temp [1]	-200 to 0
High Temp [2]	25 to 260
Very High Temp [3]	25 to 600

Definition of Specification Terms

TOLERANCE OF RESISTANCE (ACCURACY):

The maximum amount any RTD will differ from the standard resistance curve.

STABILITY (DRIFT):

The amount that the resistance characteristics of a RTD will change over time under certain conditions.

OPERATING RANGE:

The operating range shown is for the RTD sensor only. The mounting package may further limit the operating range and is described on each mounting type specification.

HUMIDITY TRANSMITTER OVERVIEW

Sensor Specifications

BAPI humidity transmitters provide a high accuracy of 2% RH, and outputs of 4 to 20mA, 0 to 5V or 0 to 10V humidity measurement. Duct and outside air units come with a removeable sintered stainless steel filter. On duct and outside air units, the filter may be cleaned with warm, distilled water. These units are microprocessor based and do not require any field calibration.

For all non-room configurations, BAPI humidity transmitters come standard in a robust enclosure making them suitable for locations where moisture or condensation may be a problem. The potting material used to protect the transmitters has a high thermal conductivity to eliminate circuit overheating and a low thermal expansion to minimise the stress on the circuit components.

Due to the extremely low moisture absorption properties of the epoxy, our robust transmitter will remain operational even if temporarily immersed in water. Many tests and studies have been conducted on the sensor incorporated into these humidity transmitters to assure that they provide longterm accuracy and durability. For applications requiring even higher accuracy, however, certified units are available which have been tested and offset against an NIST traceable reference. Please call for details or with specific requirements.

TRANSMITTER SPECIFICATIONS

OUTPUT RANGES:

4 to 20 mA, 0 to 5 V, or 0 to 10 V

POWER:

10 to 35 VDC (0 to 5 VDC or 4 to 20 mA outputs)
 15 to 35 VDC (0 to 10 VDC Output)
 12 to 27 VAC (0 to 5 VDC Output)
 15 to 27 VAC (0 to 10 VDC Output)

POWER CONSUMPTION:

22 mA max. DC (0 to 5 VDC or 4 to 20 mA Outputs)
 6 mA max. DC (0 to 10 VDC Output)
 0.53 VA max. AC (0 to 5 VDC or 4 to 20 mA Outputs)
 0.14 VA max. AC (0 to 10 VDC Output)

SENSING ELEMENT:

Capacitive type humidity sensor

OPERATING RH RANGE:

0 to 100 %RH (non-condensing)

OPERATING TEMPERATURE RANGE:

Room: 0 to 70°C (32 to 158°F)
 Duct & Outside: -20 to 70°C (-4 to 158°F)

ACCURACY RANGE:

from 10 to 90% RH at 25°C

RESPONSE TIME:

8 seconds in moving air for a 63% step

DRIFT:

<0.5%RH per year

NON-ROOM ENCLOSURES OVERVIEW

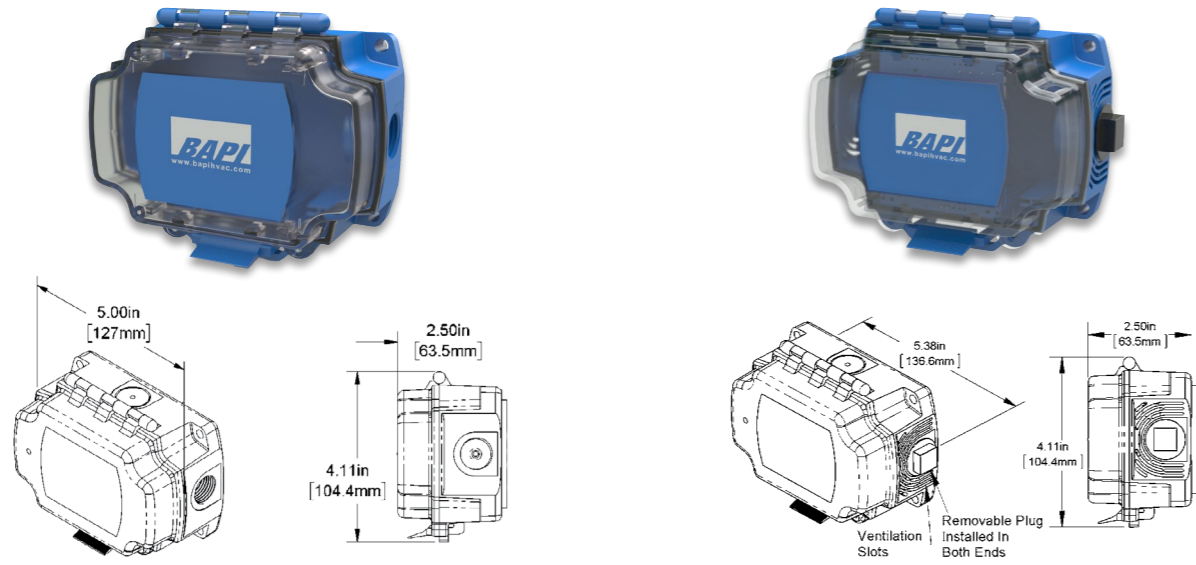
Sensor Specifications

BAPI offers a number of designed and patented non-room enclosures including the BAPI-Box, BAPI-Box 2 and the BAPI-Box Crossover.

BAPI-Box

Enclosure

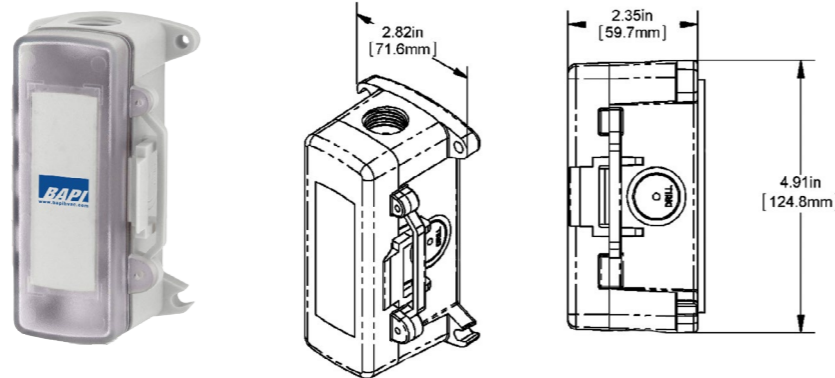
The BAPI-Box is made of a durable polycarbonate and comes in a regular and ventilated version. The regular version has an IP66 rating. It has a hinged cover for easy access



BAPI-Box 2

Enclosure

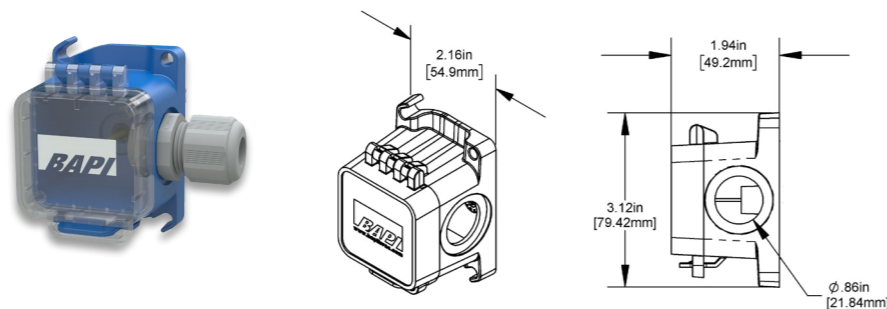
The BAPI-Box 2 is made of a UV-resistant polycarbonate and has IP66 rating. It has a hinged cover for easy access



BAPI-Box Crossover

Enclosure

The BAPI-Box Crossover is made of UV resistant polycarbonate and includes a wiring gland. It has a hinged cover for easy access and molded mounting feet for sturdy installation. With the wiring gland installed the enclosure has an IP44 rating.



SENSOR CERTIFICATIONS

Sensor Specifications

CE Certified & RoHS Compliant

CE Certified & RoHS Compliant - BAPI holds itself to a higher standard with CE certification across models of temperature, humidity and pressure sensors. BAPI is also committed to environmentally responsible manufacturing practices and complies with the European Union's RoHS directive, which restricts the use of certain hazardous substances such as lead and mercury.



Certificates of Calibration

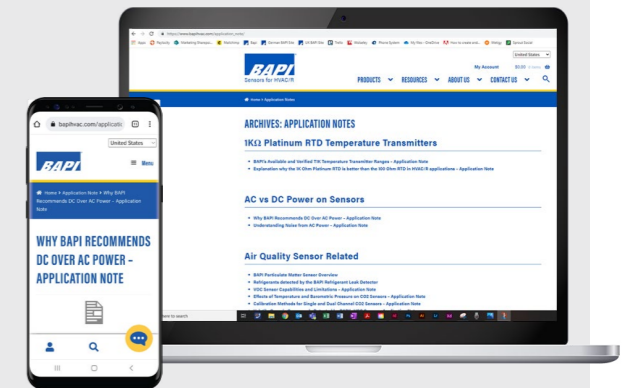
BAPI is committed to providing accurate, high quality sensors. All of our sensors are calibrated using certified equipment. We provide a certificate of calibration free of charge on all of our pressure sensors and our Blü-Test wireless test instrument suite. Certificates are available for temperature, humidity and pressure products. For more information, please contact us.



Application Notes

In addition to the Application Notes mentioned in this catalog, BAPI also has many Application Notes available online at our website at www.bapihvac.com/resource-library. A sample of some of the other topics covered are:

- Ground Loops**
Understanding Grounds Loops and Avoiding Ground Loops
- Current Loops**
4 to 20 mA Configurations
Understanding 4 to 20 mA Current Loops
Designing 4 to 20 mA Current Loops
- Other Application Notes**
Understanding Full Wave and Half Wave Power Supplies
Determining Air Flow in Cubic Feet per Minute (CFM)
Understanding Noise from AC Power
Thermobuffer Temperature Sensing



Contact Us

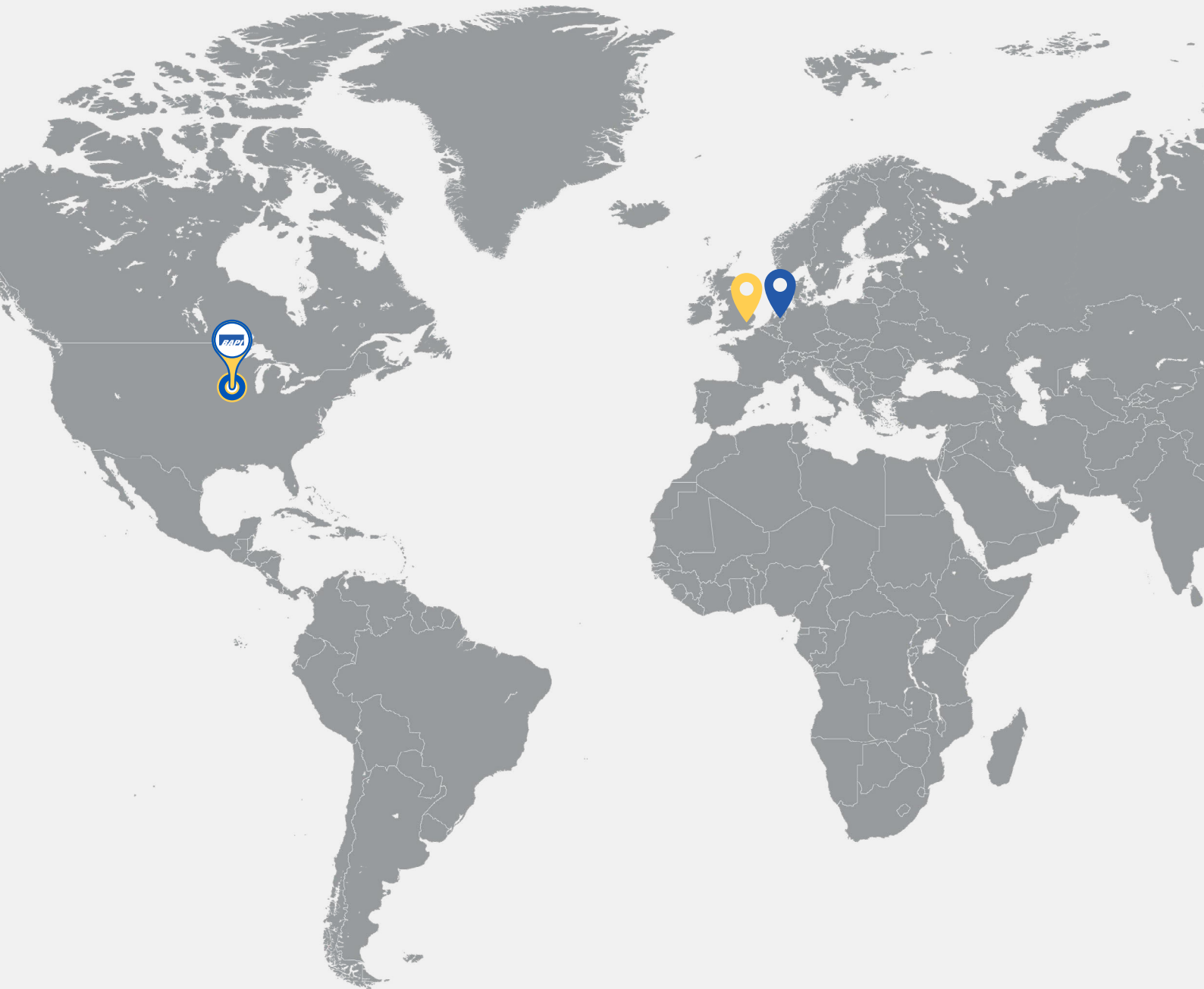
BUILDING AUTOMATION PRODUCTS INC.

750 North Royal Avenue
Gays Mills, WI 54631

www.bapihvac.com

BAPI United States:
+1 (608) 735 4800
sales@bapihvac.com

BAPI Europe:
+49 173 4222248
EUsales@bapisensors.com



BAPI Headquarters Gays Mills, Wisconsin, USA



BAPI UK Sales & Distribution Centre Aldershot, Hampshire, United Kingdom



Building Automation Products B.V. Amsterdam, Netherlands



SCAN ME!

Download the Catalogue/Pricebook

...it's in the details

© 2021 Building Automation Products, Inc. UK LTD. All rights reserved. 022_21

