



## Features & Options

- BAPI-Stat "Quantum Prime" Enclosure Style with Higher Contrast Display for Improved Clarity at Greater Distances
- Membrane Keypad for Wipedown Cleaning
- Temperature and Humidity Setpoint Adjustment

The BAPI-Stat "Quantum Prime" is designed for operating rooms, clean rooms and elder care facilities. It features a large display and membrane keypad for wipedown cleaning. It is available with temperature and humidity measurement, temperature and humidity setpoint and occupant override.

The unit includes a number of field adjustments including °F or °C display, temperature and humidity offset and setpoint lockout. The display can also be set to show a large temperature and small %RH reading or a large %RH and a small temperature reading when 4 buttons are present.

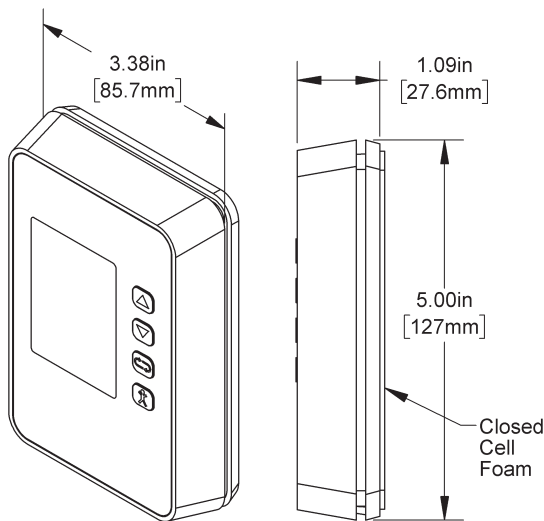
This unit can be configured with up to four transmitted variables. Contact your BAPI representative for details.

A 60mm mounting base is also available to fit European style junction boxes.

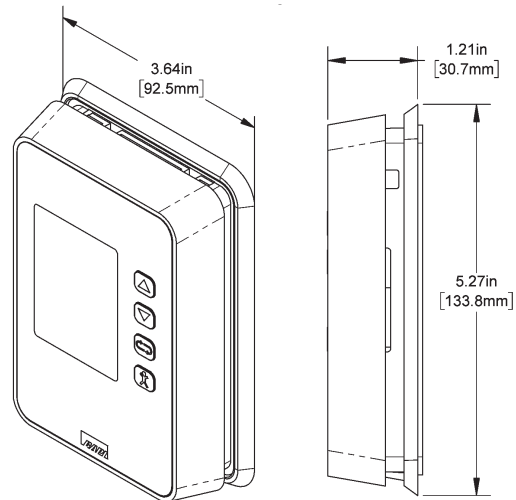


**BAPI-Stat "Quantum Prime" Temp & Humidity Sensor**  
(image at right shown with optional 60mm mounting base)

## Dimensions



**Unit with Standard Mounting Base**



**Unit with 60mm Mounting Base**  
(Fits European wall boxes and junction boxes with 60mm mounting centers)



### Ordering Information

The BAPI-Stat “Quantum Prime” Wipedown Sensor is a powerful unit with many options. Please call your BAPI representative for ordering. We will provide a quote and keep it on record for future orders.

### Specifications

#### Power Supply:

10 to 40 VDC (15 to 24 VDC Recommended) for 4 to 20 mA or 0 to 5 VDC Outputs

15 to 40 VDC (15 to 24 VDC Recommended) for 0 to 10 VDC Outputs

12 to 28 VAC (Requires a separate pair of shielded wires) for 0 to 5 VDC Outputs

15 to 28 VAC (Requires a separate pair of shielded wires) for 0 to 10VDC Outputs

#### Power Consumption:

100 mA max DC ..... 4 to 20 mA Output (<30mA typical)

75 mA max DC ..... 0 to 5 or 0 to 10 VDC Outputs (6mA typical)

1.9 VA max AC..... 0 to 5 or 0 to 10 VDC Outputs (0.2VA typical)

#### Outputs: 4 active outputs plus 1 passive temp sensor

Volts ..... 0 to 5 VDC or 0 to 10VDC, Impedance >10KΩ

Current..... 4 to 20 mA, Impedance <500Ω @ 24 VDC

Resistance..... Setpoint, 5 VDC @ 5 mA max

Relay Contact..... N.O., 500 mA @ 24 VDC max

Temp. Sensor ..... Passive RTD or Thermistor

#### Inputs:

External Override..... 5 VDC or 24 VDC/VAC

External Sensor ..... 10K-2 Themistor purchased separately.

#### Sensing Elements for Active Outputs and Display:

Temperature ..... 10K-2 Thermistor

Humidity..... Capacitive Polymer, ±2%RH

**Mounting:** Standard 2”x4” junction box, European junction box or drywall mount (screws provided)

#### Environmental Ambient:

Temperature ..... 32 to 122°F (0 to 50°C)

Humidity..... 0 to 95%, non-condensing

Storage ..... 32 to 185°F (0 to 85°C)

**Wiring:** 2 to 6 pair of 16 to 22 AWG\*

**Enclosure Material:** ABS Plastic, UL 94, V-0

**Agency:** CE EN 61326-1:2013 EMC, RoHS

\*BAPI recommends that you do not run wiring for room units in the same conduit as line voltage wiring or with wiring used to supply highly inductive loads such as motors, generators and coils.

