

## Overview and Identification

The Flexible Probe Bracket (FPB) is used to mount averaging sensors, low limit thermostats, or liquid fill thermostats in duct applications for probe diameters from 1/8", 1/4" and 3/8". The bracket is used to reverse the direction of the flexible probe with a smooth arc to eliminate the risk of kinking the sensor and damaging the probe. A fixed 1/4" probe may also be mounted as part of the bracket design using the scored break-off. The FPB is made out of tough UL94 V-2 Nylon which limits heat/cold conduction to the probe and has multiple mounting holes to make mounting quick and easy.

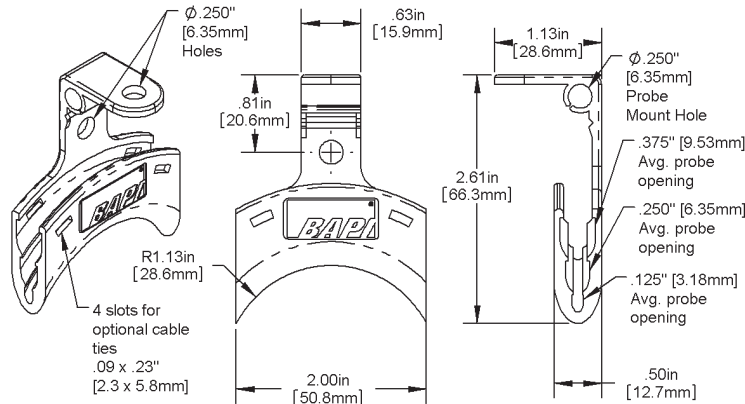


Fig. 1: Isometric, Front and Rear views

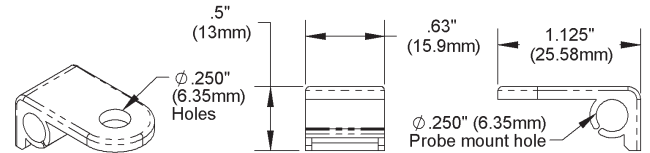


Fig. 2: 1/4" Probe Clip Break Off

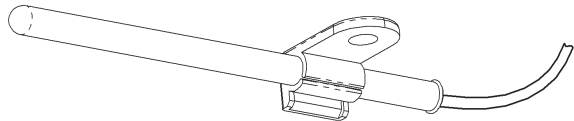


Fig. 3: 1/4" Probe Clip Break Off w/Probe Installed

## Installation

Installation of the sensor is typically horizontal across the duct with at least two passes at different levels across the duct. Install the sensor high on the duct wall. Install the FPB at the opposite side of the duct about one-third down the duct and another below the duct sensor hole mounted about 2/3rds down using the mounting holes provided. Set the probe into the bracket rail and tie rap the sensor in place using the slots on top of the arched rail. Finish the probe installation into each bracket on the opposite side of the duct for multiple pass applications.

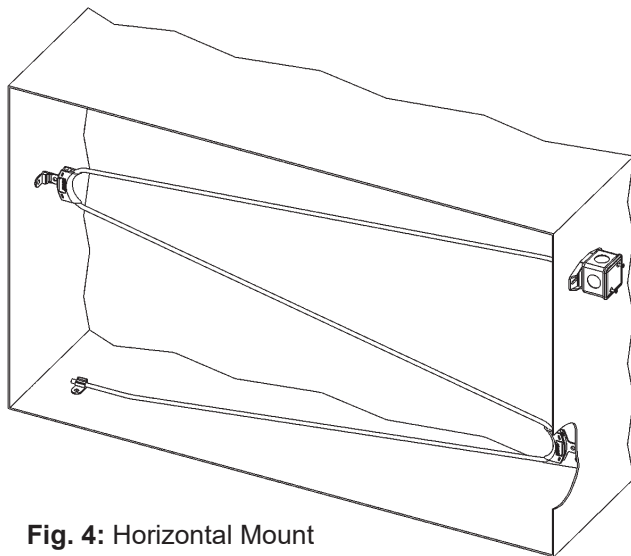


Fig. 4: Horizontal Mount

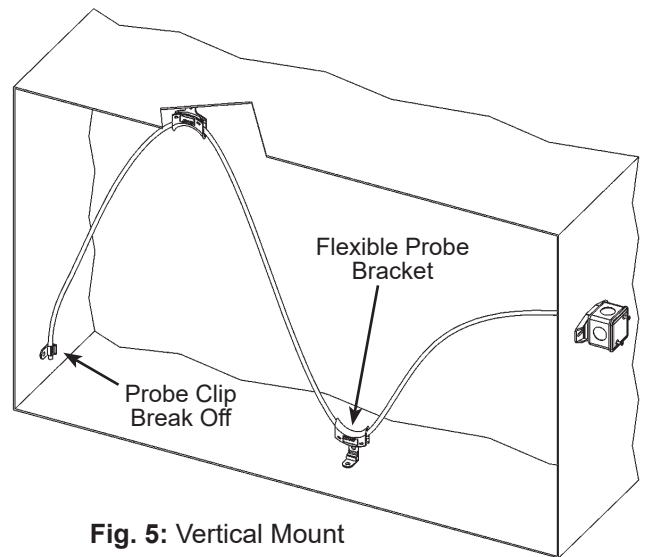


Fig. 5: Vertical Mount

## Specifications

Material: Nylon  
 Rating: UL94V-2 (plenum rated), RoHS Compliant  
 Mounting: Two 1/4" holes, top, side and 90° corner application.  
 Probe size: 1/8", 1/4", and 3/8" flexible probes,  
 1/4" rigid probe holder, w/break off score

Probe lock: Two tie rap slots 1/2" x 1/8"  
 Probe holder: Hold in ribs for each size sensor  
 Bracket arc: 1.125" radius  
 Ambient: -22 to 167°F, (-30 to 75°C)

Specifications subject to change without notice.