



# PRODUCT CATALOG



TEST INSTRUMENTS



TEMPERATURE



HUMIDITY



PRESSURE



AIR QUALITY



WIRELESS



ACCESSORIES



Changing the way you think about sensors...



BAPI UK office and warehouse in Aldershot, United Kingdom

## Global Support

To support our customers in the UK and Europe, in 2017, BAPI opened a European Distribution Centre located in Aldershot, Hampshire. From this facility we are able to provide product assembly, product training, technical support and after sales support. BAPI UK holds a wide variety of products in stock allowing for next day delivery. In addition, we also have offices for sales in Munster, Germany and a distribution center located in the Netherlands to support central Europe.

## About Us

Building Automation Products, Inc. (BAPI) is a premier sensor manufacturer for the HVAC/R industry specializing in test instruments and sensors for temperature, humidity, pressure, air quality and related accessories. Originating in Cross Plains, WI in 1993, BAPI's first facility was a small two-car garage. Today, BAPI serves customers around the globe from its 50,000 square foot facility based in rural southwestern Wisconsin.

## ...it's in the details

BAPI continues the "...it's in the details" tradition by using the highest quality sensing elements paired with state-of-the-art manufacturing, meticulous testing and quality assurance to ensure a reliable product time after time. Since 1993, BAPI has forged a place in the industry by combining its expertise with customer feedback to find innovative ways to use advanced sensor technology on HVAC/R applications.



### On-Site, Multi-Step Testing

Every product goes through testing at each step of the process to ensure quality.



### Computer Aided Workstations

All of our workstations include a computer terminal to ensure build prints and process instructions are up to date.

# THE BAPI DIFFERENCE



**LIFETIME  
LIMITED  
WARRANTY**

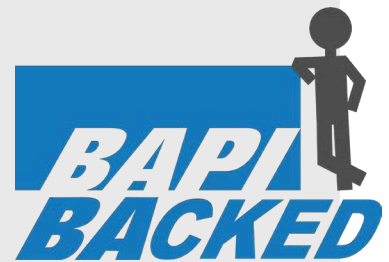
## 5-year Warranty Across Most Products

Our products are designed and manufactured to last. We back up that claim by offering a 5-year warranty across most of our products.

A lifetime limited warranty is also available on many of our single point, room and non-room temperature sensors.\*

## BAPI-Backed Product Credit

Most sensor manufacturers will replace their defective products, but only BAPI has the confidence to go beyond the industry standard. BAPI-Backed means we stand behind everything we do. We are so confident in the quality of our products that if one fails within the warranty period, we will not only repair or replace it, but we'll provide a product credit to offset your incurred cost.\*



**0%**  
**RESTOCK FEE  
FOR 30 DAYS**

## 0% Restock Fee on All Stock Products Within 30 days

New and unused received products that do not require repackaging or relabeling will not be charged for restocking if returned within 30 days.

## BAPI Original

BAPI Originals are unique products inspired by quality vendors, talented employees and valuable customers. These three ingredients combined create industry leading, original solutions. Products that bear the "Another Original" stamp were designed by BAPI with quality components and driven by customer feedback to solve common HVAC/R problems.



*\*Terms and conditions apply, see [www.bapihvac.co.uk](http://www.bapihvac.co.uk) for details.*

# TABLE OF CONTENTS



## TEST INSTRUMENTS

Page 5

Temperature • Temperature/Humidity • Pressure Test Instruments



## TEMPERATURE SENSORS

Page 8

Room • Button • Duct • Averaging • Immersion • Thermowells • Clamp-On • Outside Air • Remote • Concave • Thermobuffers • Test & Balance



## HUMIDITY SENSORS

Page 27

Room • Outside Air • Duct



## PRESSURE SENSORS

Page 33

EZ Pressure • ZPM Multi-Sensor • Pressure Switch • Pressure Pickup Ports • Pressure Probes



## AIR QUALITY SENSORS

Page 41

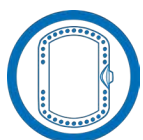
CO<sub>2</sub> • VOC • CO • NO<sub>2</sub> • Particulate Matter • Refrigerant Leak Detection



## WIRELESS SENSORS

Page 57

Gateway • Analog Receiver • Room • Duct • Outside Air • Food Probe • Analog Output Modules



## ACCESSORIES

Page 77

Power Supplies • Voltage Converters • Water Leak • BAPI Guard • Light Level • Weather Shade



## SPECIFICATIONS & SPECIALTY SENSORS

Page 90

Thermistor • RTD • Transmitters • Pressure • Enclosures

# BLÜ-TEST WIRELESS TEST INSTRUMENTS



NIST traceable test instruments for temperature, relative humidity, and differential pressure. Data-logging with wireless smart device communication.

TEST INSTRUMENTS



Blü-Test App

Blü-Test App - to monitor and manage probes: including data logging or viewing live data.



Low Range Pressure  
Std. Range Pressure  
100mm Piercing Temp  
150mm Temp.  
200mm Temp./Hum.  
240mm Temp.

Probe hanging clip for attaching to room sensors, diffusers and grilles

Adjustable duct cones for hands-free measuring in ductwork

Onboard display for immediate readings

Magnetic side panels for secure mounting on metal

**Each probe stores up to a MILLION readings!**



Wireless Temperature Remote & Piercing Tip

- Plus:
- Reversible belt clip
  - D-ring clip
  - Rechargeable lithium-ion battery

Each probe comes with a National Institute of Standards and Technology (NIST) traceable certificate of calibration.



# BLÜ-TEST

## Wireless Test Instrument Suite

- NIST traceable test instruments for temperature, relative humidity and differential pressure
- Data logging and Bluetooth communication with Android and iOS smart devices
- Local display for immediate readings
- Logs are easily emailed as a CSV
- Each probe stores up to a million readings

ANOTHER ORIGINAL



## SPECIFICATIONS

### POWER:

3.7V, 2,600 mAh Rechargeable Battery

### PROBE ENVIRONMENTAL RANGE:

Temperature Probe: .....-40 to 85°C

Base Unit: .....-30 to 70°C

%RH Probe: .....5 to 95% Non-condensing

Differential Pressure Probe: .....-20 to 70°C

### PROBE MEASUREMENT RANGE:

Temperature: .....-40 to 85°C

%RH: .....5 to 95% Non-condensing

Differential Pressure Probe (Low): -250 to 250 Pa

Differential Pressure Probe (Std.): -1,250 to 1,250 Pa

### DATA TRANSFER:

Updates to display every 10 sec

### FCC ID:

2AA9B04

### ACCURACY:

Temperature Only Probe: . . . ± 0.1°C @ -25 to 75°C

Temperature and Humidity Probe:

Temperature:

± 0.2°C @ 25°C

Relative Humidity:

± 1%RH @ 25°C from 10 to 85%RH

Differential Pressure:

Low Range:

± 0.25% of FS Span, -250 to +250 Pa @ 25°C

Standard Range:

± 0.25% of FS Span, -1,250 to +1,250 Pa @ 25°C

### BURST PRESSURE:

Low Range 415" WC (103kPa) • Standard Range 124kPa

### COMMUNICATION:

Bluetooth® LE, Class 2 v4.2

## ORDERING

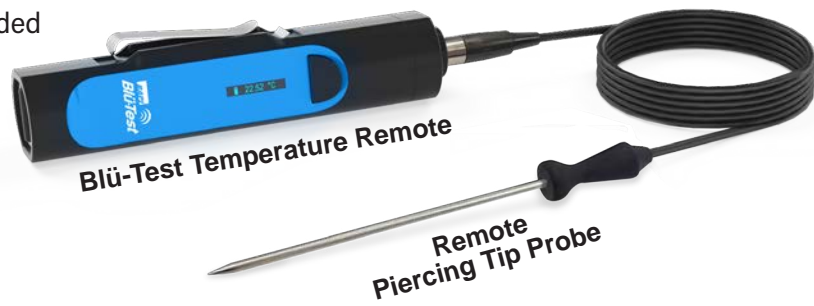
PART NUMBER:	DESCRIPTION:	PRICE:
BA/BT-TP-EU	Blü-Test Temperature Probe, 100mm Probe Length, 3.175mm dia. with Piercing Tip	€ 517.20
BA/BT-TA-EU	Blü-Test Temperature Probe, 150mm Probe Length, 5.5mm dia. with Rounded Tip	€ 517.20
BA/BT-TB-EU	Blü-Test Temperature Probe, 240mm Probe Length, 5.5mm dia. with Rounded Tip	€ 517.20
BA/BT-TH-EU	Blü-Test Temperature & Humidity Probe, 200mm Probe Length, 9.5mm dia.	€ 581.85
BA/BT-DPLR-EU	Blü-Test Differential Pressure, Low Range	€ 689.60
BA/BT-DPSR-EU	Blü-Test Differential Pressure, Standard Range	€ 689.60
BA/BT-HVAC-KIT-EU	All probes listed above in a carrying case	€ 3,512.65
BA/BT-HVAC-CASE	Carrying case for Blü-Test probes, holds up to six probes	€ 107.75

# BLÜ-TEST - Remote Temperature Piercing Tip

Wireless Test Instrument Suite

ANOTHER ORIGINAL

- Piercing tip probe
- NSF certified, perfect for food safety and HACCP applications
- Data logging and Bluetooth communication with Android or iOS smart devices
- User-friendly app with trending and other features
- Local OLED display for immediate readings
- Logs are easily emailed for use in commissioning, troubleshooting or comparing against the BAS
- Each probe body stores up to a million readings
- NIST-traceable calibration certificate included



## SPECIFICATIONS

**POWER:**

3.7V, 2,600 mAh Rechargeable Battery

**PROBE ENVIRONMENTAL RANGE:**

Probe Body: .....-30 to 70°C

Piercing Probe: .....-40 to 232°C

Testing Medium: .....0 to 232°C

**ENTIRE MEASUREMENT RANGE:**

Temperature: .....-40 to 600°C

**DATA TRANSFER:**

Updates to display every 10 sec

**FCC ID:**

2AA9B04

**CALIBRATED SYSTEM ACCURACY:**

0.25°C @ -25 to 125°C\*

0.5°C @ -75 to 175°C\*

**COMMUNICATION:**

Bluetooth® LE, Class 2 v4.2

**AGENCY:**

CE EN 61326-1:2013 EMC, RoHS, NSF

\*Calibrated accuracy only applies to piercing probe and remote body that have matching serial number labels.

## ORDERING

PART NUMBER:	DESCRIPTION:	PRICE:
BA/BTR-TPR-EU	Blü-Test Temperature Remote and Remote Piercing Tip Probe	€ 689.60
BA/BT-HVAC-CASE	Carrying case for Blü-Test probes, holds up to six probes	€ 107.75
BA/BT-A-REFURB	Refurbishment of Blü-Test Temperature Remote (Refurbishment includes replacement of battery and probe.)	€ 43.10



# SAVE TIME AND MONEY

*Choose BAPI's Test and Balance Switch when ordering your next sensor!*

BAPI's Test and Balance switch saves time and money on installation, commissioning and maintenance.

The test and balance switch also lets you easily verify a sensor's location and operation within the BMS without having to physically access the probe, saving time and money on each visit.

Multiple times during the installation, commissioning and annual maintenance process, engineers and technicians are required to physically touch the end of the sensor probe to force a temperature change back to the BMS. Accessing the probe is often difficult and time consuming due to the location and obstructions. The test and balance switch eliminates the hassle by allowing you to send specific resistance values back to the BMS with a flick of a switch inside the sensor enclosure.

Besides verifying the sensor location and operation, the resistance values provided by the switch correlate to low and high temperature readings, so the switch can be used to quickly place the zone into full heat or full cool mode during regular testing and balancing visits –again saving time and money and eliminating the need to access the BMS.

The test and balance switch is available for most of BAPI's temperature products, including room, duct, immersion, outside air, pipe, fridge and freezer sensors.



## **BAPI's Test & Balance Switch** — Safe, Fast & Accurate —

Duct Sensor with Test and Balance Switch



## ORDERING

PART NUMBER:	DESCRIPTION:	PRICE:
-TB	Test & Balance Switch (This is an available option. Please add "-TB" to the end of the sensor part number to order.)	€6.50

# BAPI-STAT "QUANTUM" WITH DISPLAY

## Room Temperature Sensor

ANOTHER ORIGINAL

- BAPI-Stat "Quantum" enclosure style with higher contrast display for improved clarity at greater distances
- Large display with multiple indicators and icons
- Test & Balance Switch available for point-to-point testing



5 YEAR WARRANTY

TEMPERATURE

The BAPI-Stat "Quantum" room temperature sensor with display features a modern enclosure style with pushbutton setpoint adjustment and occupant override. The large display has been upgraded for higher contrast, providing improved clarity at greater distances.

The temperature sensor is available as a 10K-2, 10K-3 or 10K-4 Thermistor. The setpoint comes in a 10 to 32°C or -3 to +3 range with a 0 to 10V output.

## SPECIFICATIONS

### TEMP SENSING ELEMENT & ACCURACY:

10K-2 Thermistor:	±0.2°C (0 to 70°C)
10K-3 Thermistor:	±0.2°C (0 to 70°C)
10K-4 Thermistor:	±1% @ 25°C

### POWER FOR 24 VDC POWER UNITS (default):

0 to 5 VDC Setpoint or Resistive Setpoint	9 to 40 VDC (24 VDC nominal)
0 to 10 VDC Setpoint or Resistive Setpoint	15 to 40 VDC (24 VDC nominal)
Any Allowed Setpoint	15 to 28 VAC (24 VAC nominal)

**Note:** AC power requires a separate pair of shielded wires.

### POWER CONSUMPTION:

13mA max DC; .32 VA max AC

### WIRING:

2 to 4 pair of 16 to 22AWG\*

### MOUNTING:

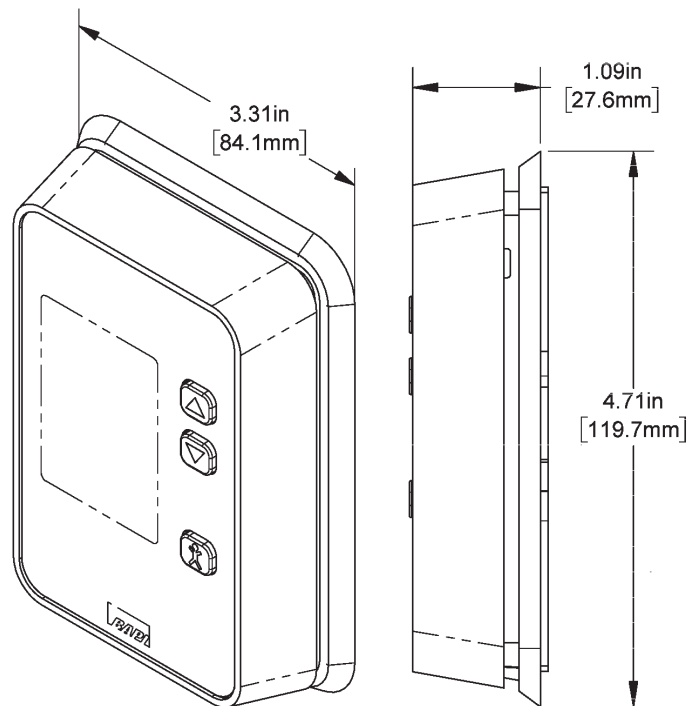
Universal backplate (screws provided)

### ENVIRONMENTAL OPERATION RANGE:

Temperature: 0 to 50°C  
Humidity: 0 to 95%, non-condensing

### MATERIAL:

ABS Plastic UL94, V-0



\*BAPI recommends that you do not run wiring for room units in the same conduit as line voltage wiring or with wiring used to supply highly inductive loads such as motors, generators and coils. Also, these units are not designed for line voltage applications.

## ORDERING

PART NUMBER:	DESCRIPTION:	PRICE:
BA/TQ60C-B-2-C10-J	10K-2 Thermistor/Temp Setpoint: 10 to 32°C, 0 to 10V Output/Override	€ 107.75
BA/TQ60C-C-2-C10-J	10K-3 Thermistor/Temp Setpoint: 10 to 32°C, 0 to 10V Output/Override	€ 107.75
BA/TQ60C-V-2-C10-J	10K-4 Thermistor/Temp Setpoint: 10 to 32°C, 0 to 10V Output/Override	€ 107.75
BA/TQ60C-A-2-C10-J	1K Platinum RTD/Temp Setpoint: 10 to 32°C, 0 to 10V Output/Override	€ 107.75
BA/TQ60C-B-2-A10-J	10K-2 Thermistor/Temp Setpoint: -3 to +3°, 0 to 10V Output/Override	€ 107.75
BA/TQ60C-C-2-A10-J	10K-3 Thermistor/Temp Setpoint: -3 to +3°, 0 to 10V Output/Override	€ 107.75
BA/TQ60C-V-2-A10-J	10K-4 Thermistor/Temp Setpoint: -3 to +3°, 0 to 10V Output/Override	€ 107.75
BA/TQ60C-A-2-A10-J	1K Platinum RTD/Temp Setpoint: -3 to +3°C, 0 to 10V Output/Override	€ 107.75
- TB	Test & Balance Switch (This is an available option. Please add "-TB" to the end of the sensor part number to order.)	€6.50

# BAPI-STAT "QUANTUM" WITHOUT DISPLAY

## Room Temperature Sensor

- BAPI-Stat "Quantum" style enclosure
- Optional setpoint, override and communication jack
- Wide selection of sensing elements available
- Test & Balance Switch available for point-to-point testing

Multiple options are available including an override that can be configured to work with most controllers and a communication jack with a 3.5mm phono plug style jack. Setpoint is available as a slidepot in various ranges.



ANOTHER ORIGINAL

LIFETIME LIMITED WARRANTY

TEMPERATURE

## SPECIFICATIONS

### TEMP SENSING ELEMENT & ACCURACY:

- 10K-2 Thermistor:  $\pm 0.2^{\circ}\text{C}$  (0 to  $70^{\circ}\text{C}$ )
- 10K-3 Thermistor:  $\pm 0.2^{\circ}\text{C}$  (0 to  $70^{\circ}\text{C}$ )
- 10K-4 Thermistor:  $\pm 0.2^{\circ}\text{C}$  (0 to  $70^{\circ}\text{C}$ )
- 1K RTD:  $\pm 0.12\%$  at  $0^{\circ}\text{C}$  (385 curve)

### WIRING:

16 to 22 AWG wires

### MOUNTING:

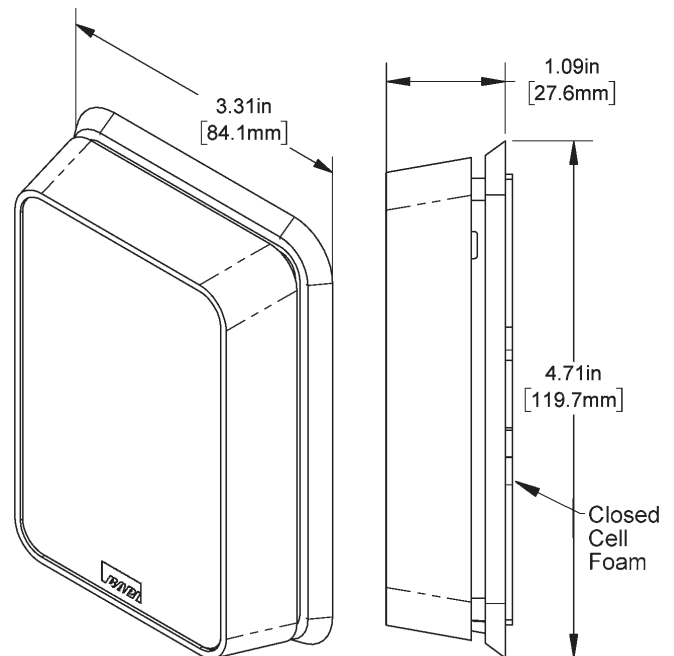
Universal backplate (screws provided)

### ENVIRONMENTAL OPERATING RANGE:

Temperature: 0 to  $50^{\circ}\text{C}$   
Humidity: 0 to 95% RH, non-condensing

### ENCLOSURE MATERIAL & RATING:

ABS Plastic, UL94 V-0



### ALSO AVAILABLE:

## BAPI-Guard

Made from durable polycarbonate the BAPI-Guard protects thermostats from damage and unauthorized adjustment.

See page 64 to learn more.



## ORDERING

PART NUMBER:	DESCRIPTION:	PRICE:
BA/10K-2-BQEU-Z-CG	10K-2 Thermistor, BAPI-Stat Quantum Non-Display	€ 21.55
BA/10K-3-BQEU-Z-CG	10K-3 Thermistor, BAPI-Stat Quantum Non-Display	€ 21.55
BA/10K-4-BQEU-Z-CG	10K-4 Thermistor, BAPI-Stat Quantum Non-Display	€ 21.55
BA/1K-BQEU-Z-CG	1K Platinum RTD (385 Curve), BAPI-Stat Quantum Non-Display	€ 27.60
BA/10K-2-BQEU80L8-J-CG	10K-2 Thermistor, BAPI-Stat Quantum Non-Display, 0-20K Slider Setpoint Adjustment, Override	€ 31.05
BA/10K-3-BQEU80L8-J-CG	10K-3 Thermistor, BAPI-Stat Quantum Non-Display, 0-20K Slider Setpoint Adjustment, Override	€ 31.05
BA/10K-4-BQEU80L8-J-CG	10K-4 Thermistor, BAPI-Stat Quantum Non-Display, 0-20K Slider Setpoint Adjustment, Override	€ 31.05
BA/1K-BQEU80L8-J-CG	1K Platinum RTD (385 Curve), BAPI-Stat Quantum Non-Display, 0-20K Slider Setpoint Adjustment, Override (PT1000)	€ 37.05
- TB	Test & Balance Switch (This is an available option. Please add "-TB" to the end of the sensor part number to order.)	€6.50

# BAPI-STAT "QUANTUM SLIM"

## Room Temperature Sensor

- Sleek and compact BAPI-Stat "Quantum Slim" enclosure
- Wide selection of temperature sensing elements
- Available in white or black
- Lifetime limited warranty

The BAPI-Stat "Quantum Slim" Temperature Room Sensor is designed for applications where a temperature output is required with a sleek and compact room enclosure. Available with thermistor and RTD elements. Ideal for locations where aesthetics are as important as the temperature measurement.

**LIFETIME  
LIMITED  
WARRANTY**



TEMPERATURE

## SPECIFICATIONS

### TEMP SENSING ELEMENT & ACCURACY:

10K-2 Thermistor:  $\pm 0.2^{\circ}\text{C}$  (0 to  $70^{\circ}\text{C}$ )

10K-3 Thermistor:  $\pm 0.2^{\circ}\text{C}$  (0 to  $70^{\circ}\text{C}$ )

10K-4 Thermistor:  $\pm 0.2^{\circ}\text{C}$  (0 to  $70^{\circ}\text{C}$ )

1K RTD :  $\pm 0.12\%$  at  $0^{\circ}\text{C}$  (385 curve)

### WIRING:

One pair of 16 to 22 AWG wires

### MOUNTING:

Surface mount (screws provided)

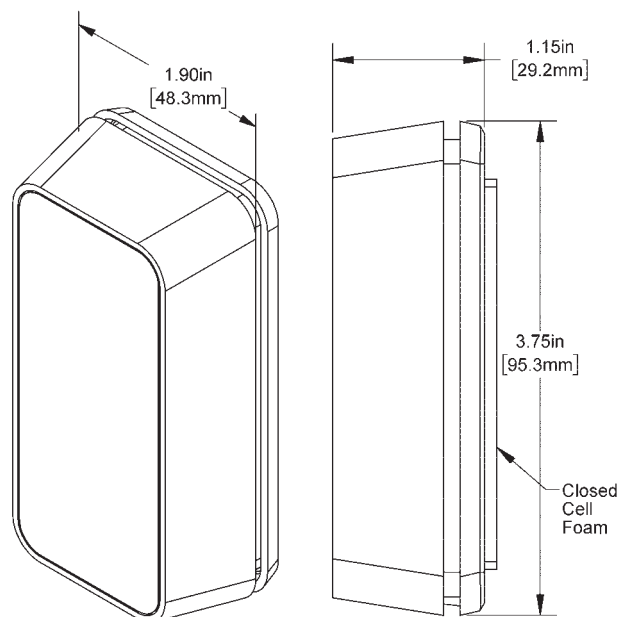
### ENVIRONMENTAL OPERATING RANGE:

Temperature: 0 to  $50^{\circ}\text{C}$

Humidity: 0 to 95% RH, non-condensing

### ENCLOSURE MATERIAL & RATING:

ABS Plastic, UL94 V-0



### ALSO AVAILABLE:

## BAPI-Guard

Made from durable polycarbonate the BAPI-Guard protects thermostats from damage and unauthorized adjustment.

See page 64 to learn more.



## ORDERING

PART NUMBER:	DESCRIPTION:	PRICE:
BA/QS-W-B	10K-2 Thermistor/White Enclosure Color	€ 21.55
BA/QS-W-C	10K-3 Thermistor/White Enclosure Color	€ 21.55
BA/QS-W-V	10K-4 Thermistor/White Enclosure Color	€ 21.55
BA/QS-W-A	1K Platinum RTD/White Enclosure Color	€ 27.55
BA/QS-B-B	10K-2 Thermistor/Black Enclosure Color	€ 25.85
BA/QS-B-C	10K-3 Thermistor/Black Enclosure Color	€ 25.85
BA/QS-B-V	10K-4 Thermistor/Black Enclosure Color	€ 25.85
BA/QS-B-A	1K Platinum RTD/Black Enclosure Color	€ 31.85

# LOW PROFILE "BUTTON" SENSOR

## Low Profile Temperature Sensor

- Small, flush-mounted room temperature sensor
- Accurate direct air measurement
- Paintable with latex or oil base paint
- Wide selection of temperature sensing elements
- Lifetime limited warranty

The Low Profile "Button" Sensor is ideal for locations where aesthetics are as important as the temperature measurement. The inconspicuous wall sensor mounts easily by pushing through a 10 mm hole and secured with a peel off tape strip. The only visible portion is a flush 22 mm dot on the wall.

The Low Profile "Button" Sensor is available in white or black with a wide range of sensing elements.

ANOTHER ORIGINAL



LIFETIME LIMITED WARRANTY

TEMPERATURE

## SPECIFICATIONS

### WIRING:

One pair of 22 AWG wires  
150mm cable length

### WIRE INSULATION:

Etched Teflon, Plenum Rated

### MOUNTING:

10mm hole, push in plastic sheath with peel off insulating

### MATERIAL & RATING:

ABS Plastic, UL94 V-0

### ENVIRONMENTAL OPERATING RANGE:

Humidity: 0 to 100% RH, non-condensing

Temperature: Unit with Etched Teflon Wire: -40 to 85°C

Unit with Plenum-Rated Wire: -20 to 75°C

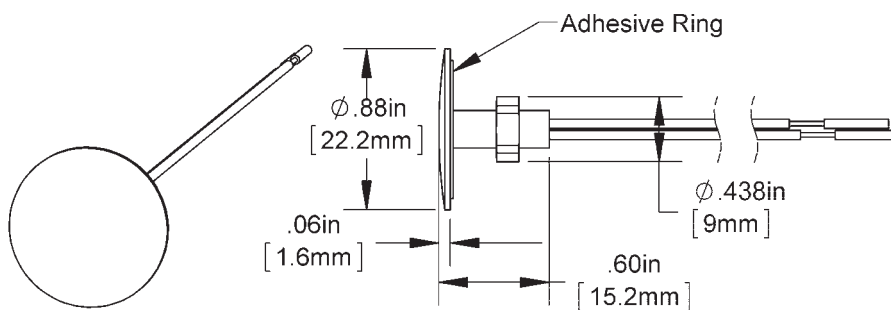
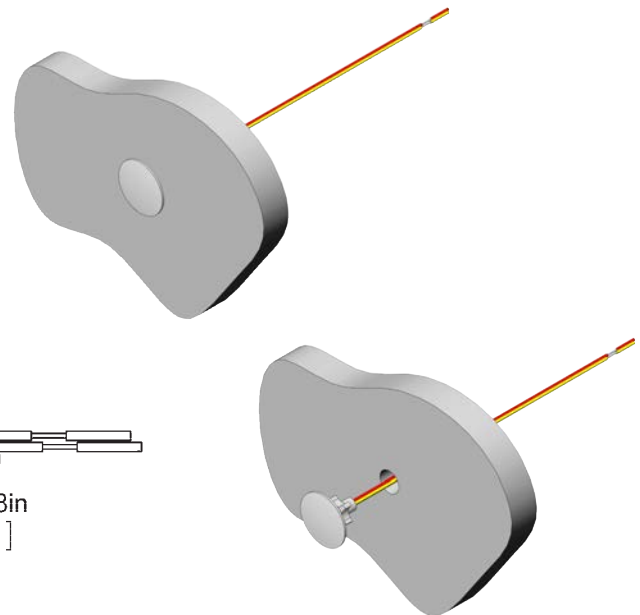
### TEMP SENSING ELEMENT & ACCURACY:

10K-2 Thermistor: ±0.2°C (0 to 70°C)

10K-3 Thermistor: ±0.2°C (0 to 70°C)

10K-4 Thermistor: ±0.2°C (0 to 70°C)

1K RTD: ±0.12% at 0°C (385 curve)



## ORDERING

PART NUMBER:	DESCRIPTION:	PRICE:
BA/10K-2-LPW	10K-2 Thermistor/White Color	€ 21.55
BA/10K-3-LPW	10K-3 Thermistor/White Color	€ 21.55
BA/10K-4-LPW	10K-4 Thermistor/White Color	€ 21.55
BA/1K-LPW	1K Platinum RTD/White Color	€ 27.55
BA/10K-2-LPB	10K-2 Thermistor/Black Color	€ 25.85
BA/10K-3-LPB	10K-3 Thermistor/Black Color	€ 25.85
BA/10K-4-LPB	10K-4 Thermistor/Black Color	€ 25.85
BA/1K-LPB	1K Platinum RTD/Black Color	€ 31.90

# DUCT SENSOR

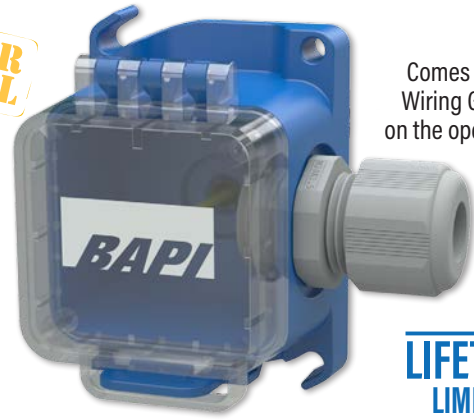
## BAPI Box Crossover Enclosure

- Stainless steel probes: 100, 200, 300 and 400mm
- Double encapsulated sensors & etched Teflon leads
- Wide selection of temperature sensing elements
- Test & Balance Switch available for point-to-point testing

Duct Units with a BAPI-Box Crossover come with a polycarbonate enclosure. The foam backing provides a tight seal for the probe insertion hole and absorbs vibration. Mounting tabs allow for easy installation directly to the wall of the duct.

All Duct Units have etched Teflon leadwires and double encapsulated sensors to create a watertight package that can withstand high humidity and condensation and perform under real world conditions. Duct Units have probe lengths from 100 to 400mm to accommodate most duct shapes and sizes.

**ANOTHER ORIGINAL**



Comes with Wiring Gland on the open port

**LIFETIME LIMITED WARRANTY**

TEMPERATURE

## SPECIFICATIONS

### ENVIRONMENTAL OPERATING RANGE:

Temperature: -40 to 85°C  
Humidity: 0 to 100% RH, non-condensing

### PROBE MATERIAL:

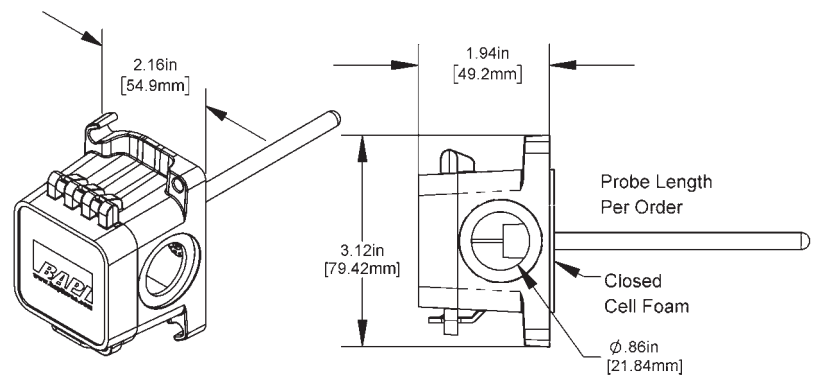
Stainless Steel

### ENCLOSURE MATERIAL & RATING:

UV-resistant polycarbonate cover and nylon base, UL94 V-0, IP44

### TEMP SENSING ELEMENT & ACCURACY:

10K-2 Thermistor: ±0.2°C (0 to 70°C)  
10K-3 Thermistor: ±0.2°C (0 to 70°C)  
10K-4 Thermistor: ±0.2°C (0 to 70°C)  
1K RTD : ±0.12% at 0°C (385 curve)



## ORDERING

PART NUMBER:	DESCRIPTION:	PRICE:
BA/10K-2-D-100mm-BBX	10K-2 Thermistor, 100mm Probe, BAPI-Box Crossover Enclosure	€ 21.50
BA/10K-2-D-200mm-BBX	10K-2 Thermistor, 200mm Probe, BAPI-Box Crossover Enclosure	€ 21.50
BA/10K-2-D-300mm-BBX	10K-2 Thermistor, 300mm Probe, BAPI-Box Crossover Enclosure	€ 21.50
BA/10K-2-D-400mm-BBX	10K-2 Thermistor, 400mm Probe, BAPI-Box Crossover Enclosure	€ 21.50
BA/10K-3-D-100mm-BBX	10K-3 Thermistor, 100mm Probe, BAPI-Box Crossover Enclosure	€ 21.50
BA/10K-3-D-200mm-BBX	10K-3 Thermistor, 200mm Probe, BAPI-Box Crossover Enclosure	€ 21.50
BA/10K-3-D-300mm-BBX	10K-3 Thermistor, 300mm Probe, BAPI-Box Crossover Enclosure	€ 21.50
BA/10K-3-D-400mm-BBX	10K-3 Thermistor, 400mm Probe, BAPI-Box Crossover Enclosure	€ 21.50
BA/10K-4-D-100mm-BBX	10K-4 Thermistor, 100mm Probe, BAPI-Box Crossover Enclosure	€ 21.50
BA/10K-4-D-200mm-BBX	10K-4 Thermistor, 200mm Probe, BAPI-Box Crossover Enclosure	€ 21.50
BA/10K-4-D-300mm-BBX	10K-4 Thermistor, 300mm Probe, BAPI-Box Crossover Enclosure	€ 21.50
BA/10K-4-D-400mm-BBX	10K-4 Thermistor, 400mm Probe, BAPI-Box Crossover Enclosure	€ 21.50
BA/1K-D-100mm-BBX	1K Platinum RTD (385 Curve), 100mm Probe, BAPI-Box Crossover Enclosure (PT1000)	€ 27.55
BA/1K-D-200mm-BBX	1K Platinum RTD (385 Curve), 200mm Probe, BAPI-Box Crossover Enclosure (PT1000)	€ 27.55
BA/1K-D-300mm-BBX	1K Platinum RTD (385 Curve), 300mm Probe, BAPI-Box Crossover Enclosure (PT1000)	€ 27.55
BA/1K-D-400mm-BBX	1K Platinum RTD (385 Curve), 400mm Probe, BAPI-Box Crossover Enclosure (PT1000)	€ 27.55
- TB	Test & Balance Switch (This is an available option. Please add "-TB" to the end of the sensor part number to order.)	€6.50

# DUCT SENSOR FLANGE MOUNT

## Temperature Sensor

- Stainless steel probes: 100, 200 and 300mm
- Double encapsulated sensors
- 2.0m plenum-rated cable leads
- Wide selection of temperature sensing elements



**LIFETIME  
LIMITED  
WARRANTY**

TEMPERATURE

Single Point Duct Units feature foam backing that provides a tight seal for the probe insertion hole and absorbs vibration. Mounting tabs allow for easy installation directly to the wall of the duct.

All Duct Units have PVC plenum leadwires and double encapsulated sensors that withstand high humidity and condensation and perform under real world conditions. Duct Units have probe lengths from 100 to 300mm.

## SPECIFICATIONS

### ENVIRONMENTAL OPERATING RANGE:

Temperature: -40 to 85°C  
Humidity: 0 to 100%, non-condensing

### PROBE MATERIAL:

Stainless Steel

### TEMP SENSING ELEMENT & ACCURACY:

10K-2 Thermistor:  $\pm 0.2^\circ\text{C}$  (0 to 70°C)  
10K-3 Thermistor:  $\pm 0.2^\circ\text{C}$  (0 to 70°C)  
10K-4 Thermistor:  $\pm 0.2^\circ\text{C}$  (0 to 70°C)  
1K RTD :  $\pm 0.12\%$  at 0°C (385 curve)

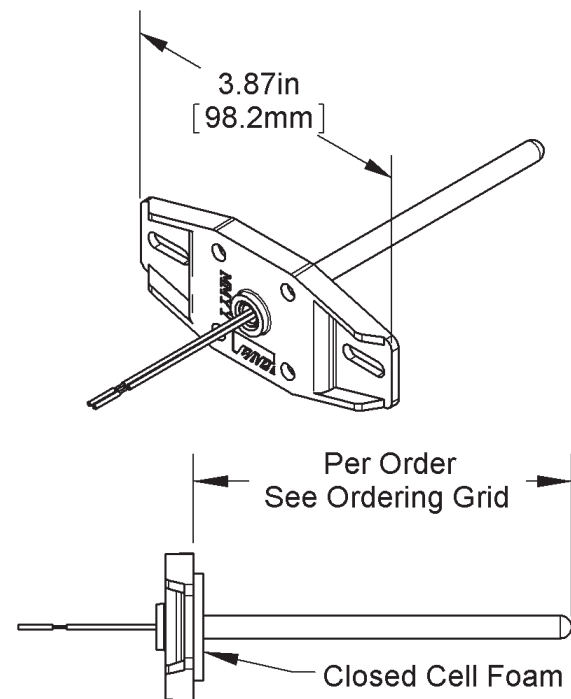
### ALSO AVAILABLE:

## Sealant Filled Connectors

BAPI's Sealant Filled Connectors (SFC) contain a moisture-excluding sealant which encapsulates the electrical connection protecting it from moisture and oxidation.



See page 68 to learn more.



## ORDERING

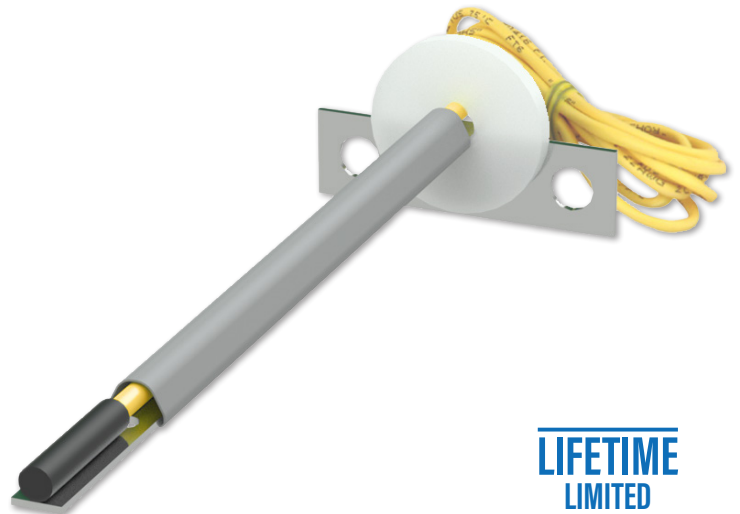
PART NUMBER:	DESCRIPTION:	PRICE:
BA/10K-2-D-100mm-NB-2.0m	10K-2 Thermistor, 100mm Probe, Flange Mounted, 2.0m Cable	€ 21.55
BA/10K-2-D-200mm-NB-2.0m	10K-2 Thermistor, 200mm Probe, Flange Mounted, 2.0m Cable	€ 21.55
BA/10K-2-D-300mm-NB-2.0m	10K-2 Thermistor, 300mm Probe, Flange Mounted, 2.0m Cable	€ 21.55
BA/10K-3-D-100mm-NB-2.0m	10K-3 Thermistor, 100mm Probe, Flange Mounted, 2.0m Cable	€ 21.55
BA/10K-3-D-200mm-NB-2.0m	10K-3 Thermistor, 200mm Probe, Flange Mounted, 2.0m Cable	€ 21.55
BA/10K-3-D-300mm-NB-2.0m	10K-3 Thermistor, 300mm Probe, Flange Mounted, 2.0m Cable	€ 21.55
BA/10K-4-D-100mm-NB-2.0m	10K-4 Thermistor, 100mm Probe, Flange Mounted, 2.0m Cable	€ 21.55
BA/10K-4-D-200mm-NB-2.0m	10K-4 Thermistor, 200mm Probe, Flange Mounted, 2.0m Cable	€ 21.55
BA/10K-4-D-300mm-NB-2.0m	10K-4 Thermistor, 300mm Probe, Flange Mounted, 2.0m Cable	€ 21.55
BA/1K-D-100mm-NB-2.0m	1K Platinum RTD (385 Curve), 100mm Probe Flange Mounted, 2m Cable (PT1000)	€ 27.60
BA/1K-D-200mm-NB-2.0m	1K Platinum RTD (385 Curve), 200mm Probe Flange Mounted, 2m Cable (PT1000)	€ 27.60
BA/1K-D-300mm-NB-2.0m	1K Platinum RTD (385 Curve), 300mm Probe Flange Mounted, 2m Cable (PT1000)	€ 27.60

# T-STIK

## Temperature Sensor

- Mounting tabs for easy installation
- 127mm probe length
- 2.0m plenum-rated cable leads
- Wide selection of temperature sensing elements

All T-Stik Mounting Bracket Sensors Units are packaged to withstand high humidity and condensation. The foam backing provides a seal for the probe insertion hole and absorbs vibration. It also includes mounting tabs for easy installation. The T-Stik is good for Unitary Supply Air Temperature sensing due to its quicker response time over a duct probe.



**LIFETIME  
LIMITED  
WARRANTY**

TEMPERATURE

## SPECIFICATIONS

### ENVIRONMENTAL OPERATING RANGE:

Temperature: -40 to 100°C

### MOUNTING:

Extension tabs

### DUCT GASKET:

6.4mm Closed cell foam (impervious to mold)

### CABLE LEADS:

2.0m plenum-rated cable leads

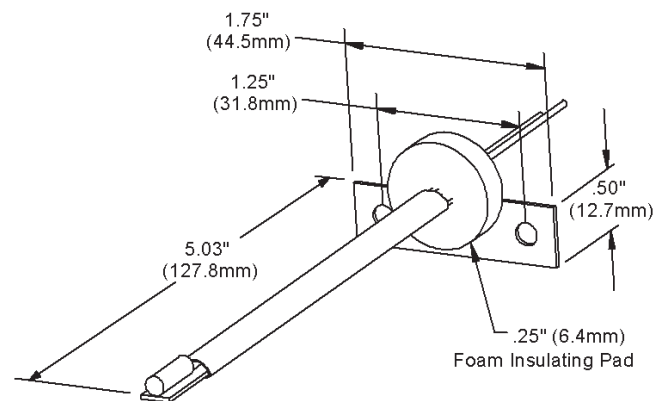
### TEMP SENSING ELEMENT & ACCURACY:

10K-2 Thermistor:  $\pm 0.2^{\circ}\text{C}$  (0 to 70°C)

10K-3 Thermistor:  $\pm 0.2^{\circ}\text{C}$  (0 to 70°C)

10K-4 Thermistor:  $\pm 0.2^{\circ}\text{C}$  (0 to 70°C)

1K RTD :  $\pm 0.12\%$  at 0°C (385 curve)



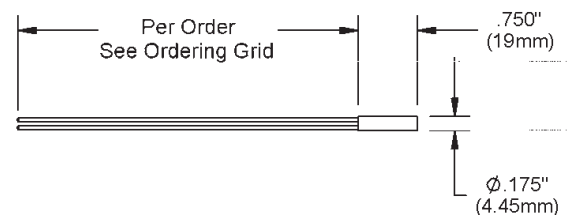
### ALSO AVAILABLE:

## Sealant Filled Connectors

BAPI's Sealant Filled Connectors (SFC) contain a moisture-excluding sealant which encapsulates the electrical connection protecting it from moisture and oxidation.



See page 68 to learn more.



## ORDERING

PART NUMBER:	DESCRIPTION:	PRICE:
BA/10K-2-TK-2.0m	10K-2 Thermistor, Mounting Bracket, 2.0m Cable	€ 21.55
BA/10K-3-TK-2.0m	10K-3 Thermistor, Mounting Bracket, 2.0m Cable	€ 21.55
BA/10K-4-TK-2.0m	10K-4 Thermistor, Mounting Bracket, 2.0m Cable	€ 21.55
BA/1K-TK-2.0m	1K Platinum RTD (385 Kurve), Montagehalterung, 2,0m Kabel (PT1000)	€ 2760

# DUCT AVERAGING SENSOR

## BAPI-Box Crossover

- Averaging lengths: 2.4, 3.7 & 7.3m
- Flexible aluminum tubing
- Accurate measurement along the entire length
- Test & Balance Switch available for point-to-point testing



BAPI Duct Averaging Units feature foam backing that provides a tight seal for the probe insertion hole and absorbs vibration. Mounting tabs allow for easy installation to the duct. All units have etched Teflon leadwires and encapsulated sensors to create a watertight package that can perform under real world conditions.

Averaging probes should be used wherever there is a chance for stratified layers of hot and cold air. Averaging probes are made of bendable aluminum tubing and measure temperature along their entire length. Nylon tie straps are provided for mounting.



Comes with Wiring Gland on the open port

TEMPERATURE

## SPECIFICATIONS

### ENVIRONMENTAL OPERATING RANGE:

Temperature: -40 to 85°C  
Humidity: 0 to 95% RH, non-condensing

### PROBE MATERIAL:

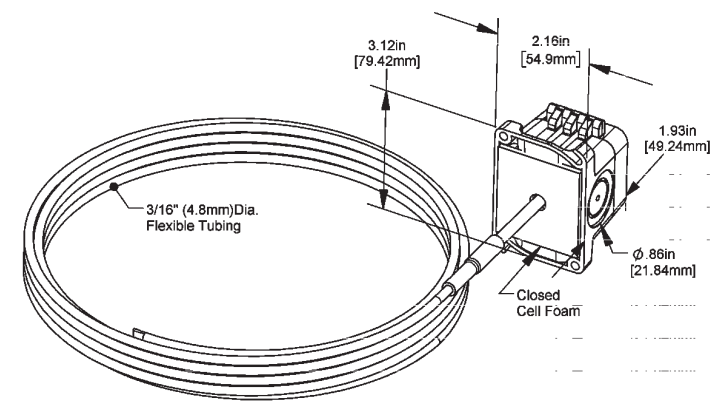
Bendable Aluminium, 4.8mm diameter

### ENCLOSURE MATERIAL & RATING:

UV-resistant UL94, V-0 polycarbonate cover and nylon base

### TEMP SENSING ELEMENT & ACCURACY:

10K-2 Thermistor: ±0.2°C (0 to 70°C)  
10K-3 Thermistor: ±0.2°C (0 to 70°C)  
10K-4 Thermistor: ±0.2°C (0 to 70°C)  
1K RTD : ±0.12% at 0°C (385 curve)



### ALSO AVAILABLE:

## Flexible Probe Bracket (FPB)

The Flexible Probe Bracket (FPB) aids in mounting averaging sensors, low limit thermostats, or liquid fill thermostats. The bracket is used to reverse the direction of the flexible probe with a smooth arc to eliminate the risk of kinking the sensor.



See page 68 to learn more.

## ORDERING

PART NUMBER:	DESCRIPTION:	PRICE:
BA/10K-2-A-2.4m-BBX	10K-2 Thermistor, BAPI-Box Crossover Enclosure with 2.4m Flexible Probe	Call
BA/10K-2-A-3.7m-BBX	10K-2 Thermistor, BAPI-Box Crossover Enclosure with 3.7m Flexible Probe	Call
BA/10K-2-A-7.3m-BBX	10K-2 Thermistor, BAPI-Box Crossover Enclosure with 7.3m Flexible Probe	Call
BA/10K-3-A-2.4m-BBX	10K-3 Thermistor, BAPI-Box Crossover Enclosure with 2.4m Flexible Probe	Call
BA/10K-3-A-3.7m-BBX	10K-3 Thermistor, BAPI-Box Crossover Enclosure with 3.7m Flexible Probe	Call
BA/10K-3-A-7.3m-BBX	10K-3 Thermistor, BAPI-Box Crossover Enclosure with 7.3m Flexible Probe	Call
BA/10K-4-A-2.4m-BBX	10K-4 Thermistor, BAPI-Box Crossover Enclosure with 2.4m Flexible Probe	Call
BA/10K-4-A-3.7m-BBX	10K-4 Thermistor, BAPI-Box Crossover Enclosure with 3.7m Flexible Probe	Call
BA/10K-4-A-7.3m-BBX	10K-4 Thermistor, BAPI-Box Crossover Enclosure with 7.3m Flexible Probe	Call
BA/1K-A-2.4m-BBX	1K Platinum RTD (385 Curve), BAPI-Box Crossover Enclosure with 2.4m Flexible Probe (PT1000)	Call
BA/1K-A-3.7m-BBX	1K Platinum RTD (385 Curve), BAPI-Box Crossover Enclosure with 3.7m Flexible Probe (PT1000)	Call
BA/1K-A-7.3m-BBX	1K Platinum RTD (385 Curve), BAPI-Box Crossover Enclosure with 7.3m Flexible Probe (PT1000)	Call
- TB	Test & Balance Switch (This is an available option. Please add "TB" to the end of the sensor part number to order.)	Call

**NOTE:** Grey shaded items follow the Buy and Resale Multiplier.

# RIGID AVERAGING SENSOR

## BAPI-Box Crossover

- Averaging lengths: 300mm up to 1.2m available
- Durable BAPI-Box Crossover enclosure
- Hinged cover for easy termination
- Test & Balance Switch available for point-to-point testing

Rigid Averaging Units feature foam backing that provides a tight seal for the probe insertion hole and absorbs vibration. It also comes with etched Teflon lead wires and double encapsulated sensors to create a watertight package that can perform under real world conditions.

Averaging probes should be used wherever there is a chance for stratified layers of hot and cold air. Rigid averaging probes are made of stainless steel and measure temperature along their entire length.

ANOTHER ORIGINAL



Comes with Wiring Gland on the open port



TEMPERATURE

## SPECIFICATIONS

### ENVIRONMENTAL OPERATING RANGE:

Temperature: -40 to 85°C  
Humidity: 0 to 95% RH, non-condensing

### PROBE MATERIAL:

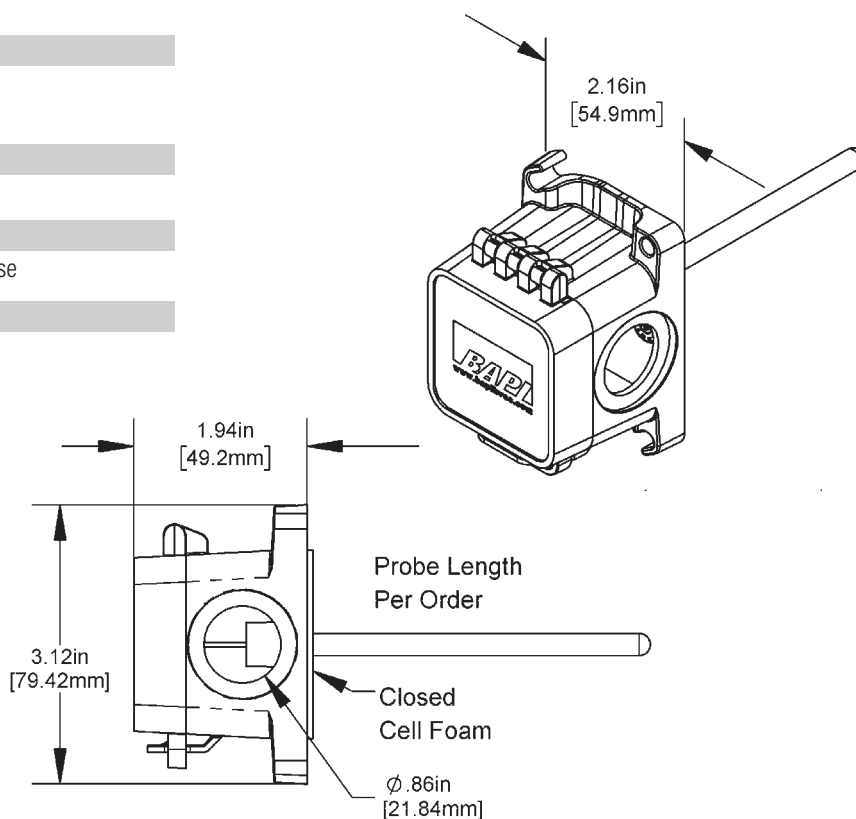
Stainless Steel

### ENCLOSURE MATERIAL & RATING:

UV-resistant UL94, V-0 polycarbonate cover and nylon base

### TEMP SENSING ELEMENT & ACCURACY:

10K-2 Thermistor:  $\pm 0.2^\circ\text{C}$  (0 to 70°C)  
10K-3 Thermistor:  $\pm 0.2^\circ\text{C}$  (0 to 70°C)  
10K-4 Thermistor:  $\pm 0.2^\circ\text{C}$  (0 to 70°C)  
1K RTD:  $\pm 0.12\%$  at 0°C (385 curve)



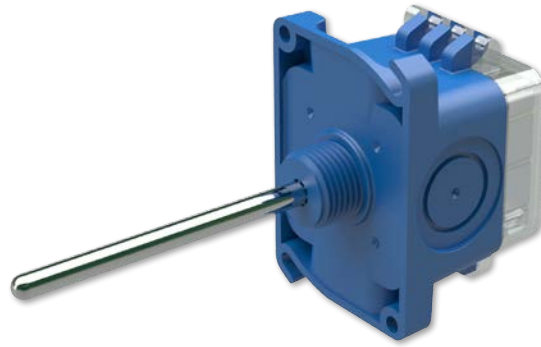
## ORDERING

PART NUMBER:	DESCRIPTION:	PRICE:
BA/10K-2-RA-300mm-BBX	10K-2 Thermistor, BAPI-Box Crossover Enclosure with 300mm Rigid Probe	€ 80.60
BA/10K-2-RA-600m-BBX	10K-2 Thermistor, BAPI-Box Crossover Enclosure with 600mm Rigid Probe	€ 80.60
BA/10K-3-RA-300mm-BBX	10K-3 Thermistor, BAPI-Box Crossover Enclosure with 300mm Rigid Probe	€ 80.60
BA/10K-3-RA-600m-BBX	10K-3 Thermistor, BAPI-Box Crossover Enclosure with 600mm Rigid Probe	€ 80.60
BA/10K-4-RA-300mm-BBX	10K-4 Thermistor, BAPI-Box Crossover Enclosure with 300mm Rigid Probe	€ 80.60
BA/10K-4-RA-600m-BBX	10K-4 Thermistor, BAPI-Box Crossover Enclosure with 600mm Rigid Probe	€ 80.60
BA/1K-RA-300mm-BBX	1K Platinum RTD (385 Curve), BAPI-Box Crossover Enclosure with 300mm Rigid Probe (PT1000)	€ 86.60
BA/1K-RA-600m-BBX	1K Platinum RTD (385 Curve), BAPI-Box Crossover Enclosure with 600mm Rigid Probe (PT1000)	€ 86.60
- TB	Test & Balance Switch (This is an available option. Please add "-TB" to the end of the sensor part number to order.)	€6.50

# IMMERSION SENSOR

## BAPI-Box Crossover with Nylon Fitting

- 50, 100 and 200mm probe lengths
- Series 304 stainless steel probes
- Double encapsulated sensors and etched Teflon leadwires
- Test & Balance Switch available for point-to-point testing



**ANOTHER ORIGINAL**

**LIFETIME LIMITED WARRANTY**



Comes with Wiring Gland on the open port

Immersion Units feature the BAPI-Box Crossover enclosure with hinged cover for easy field access. They are available in 50, 100 and 200mm probe lengths. The sensor is potted inside a stainless steel probe with thermally conductive compound. Immersion unit probes are designed to be inserted into a thermowell. For more info on thermowells, see the next page.

TEMPERATURE

## SPECIFICATIONS

### ENVIRONMENTAL OPERATING RANGE:

Temperature: -40 to 85°C  
Humidity: 0 to 100% RH, non-condensing

### PROBE MATERIAL:

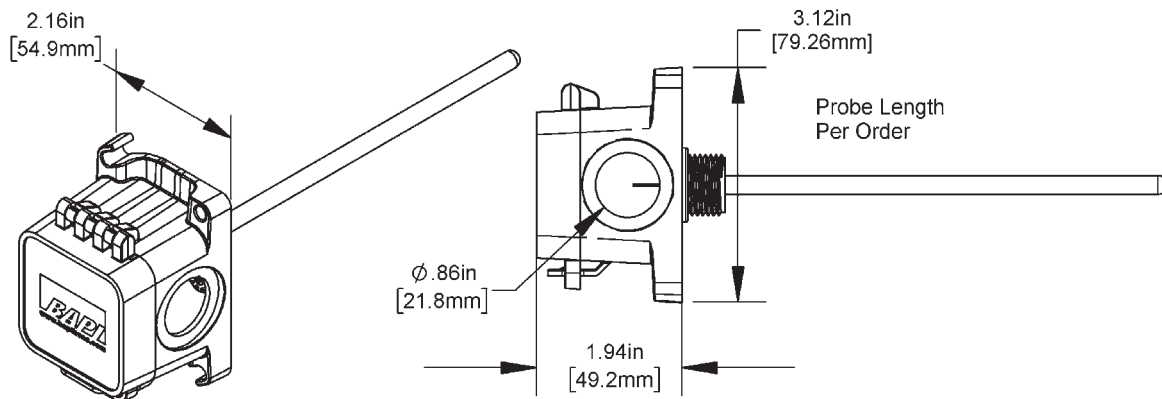
Stainless Steel

### ENCLOSURE MATERIAL:

UV-resistant UL94, V-0 polycarbonate cover and nylon base

### TEMP SENSING ELEMENT & ACCURACY:

10K-2 Thermistor:  $\pm 0.2^\circ\text{C}$  (0 to 70°C)  
10K-3 Thermistor:  $\pm 0.2^\circ\text{C}$  (0 to 70°C)  
10K-4 Thermistor:  $\pm 0.2^\circ\text{C}$  (0 to 70°C)  
1K RTD:  $\pm 0.12\%$  at 0°C (385 curve)



## ORDERING

PART NUMBER:	DESCRIPTION:	PRICE:
BA/10K-2-I-50mm-BBX	10K-2 Thermistor, 50mm Probe, BAPI-Box Crossover Enclosure	€ 21.50
BA/10K-2-I-100mm-BBX	10K-2 Thermistor, 100mm Probe, BAPI-Box Crossover Enclosure	€ 21.50
BA/10K-2-I-200mm-BBX	10K-2 Thermistor, 200mm Probe, BAPI-Box Crossover Enclosure	€ 21.50
BA/10K-3-I-50mm-BBX	10K-3 Thermistor, 50mm Probe, BAPI-Box Crossover Enclosure	€ 21.50
BA/10K-3-I-100mm-BBX	10K-3 Thermistor, 100mm Probe, BAPI-Box Crossover Enclosure	€ 21.50
BA/10K-3-I-200mm-BBX	10K-3 Thermistor, 200mm Probe, BAPI-Box Crossover Enclosure	€ 21.50
BA/10K-4-I-50mm-BBX	10K-4 Thermistor, 50mm Probe, BAPI-Box Crossover Enclosure	€ 21.50
BA/10K-4-I-100mm-BBX	10K-4 Thermistor, 100mm Probe, BAPI-Box Crossover Enclosure	€ 21.50
BA/10K-4-I-200mm-BBX	10K-4 Thermistor, 200mm Probe, BAPI-Box Crossover Enclosure	€ 27.55
BA/1K-I-50mm-BBX	1K Platinum RTD (385 Curve), 50mm Probe, BAPI-Box Crossover Enclosure (PT1000)	€ 27.55
BA/1K-I-100mm-BBX	1K Platinum RTD (385 Curve), 100mm Probe, BAPI-Box Crossover Enclosure (PT1000)	€ 27.55
BA/1K-I-200mm-BBX	1K Platinum RTD (385 Curve), 200mm Probe, BAPI-Box Crossover Enclosure (PT1000)	€ 27.55
- TB	Test & Balance Switch (This is an available option. Please add "-TB" to the end of the sensor part number to order.)	€ 6.50

# THERMOWELLS

For Immersion Sensors

ANOTHER ORIGINAL

- Three lengths: 50, 100, 200mm
- 304 stainless steel
- One part machined construction
- 1/4 and 1/2" BSPT threads available



BA/100mm304



TEMPERATURE

BAPI's machined Thermowells come in 304 stainless steel material. These Thermowells are offered in 50mm, 100mm and 200mm lengths (in both 1/4" and 1/2" threads). BSPT and NPT threads available. Contact us for all options.

The Thermowell chosen for an installation is governed mainly by the corrosion conditions the well will face. The machined stainless steel wells all come with a mirror polish to provide maximum corrosion resistance.

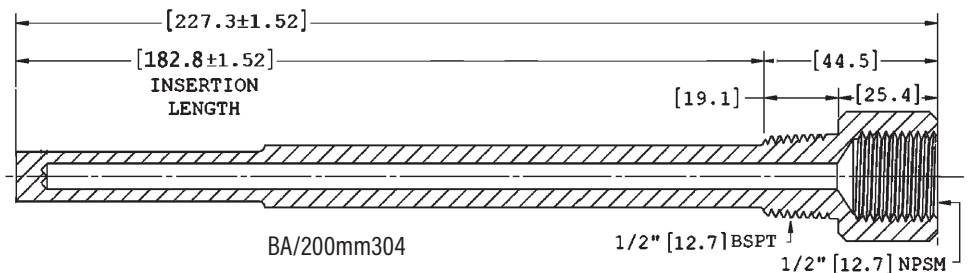
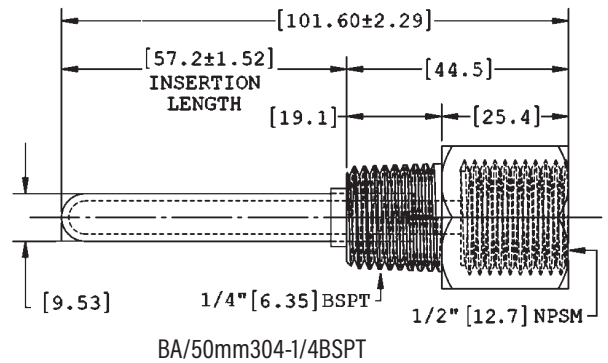
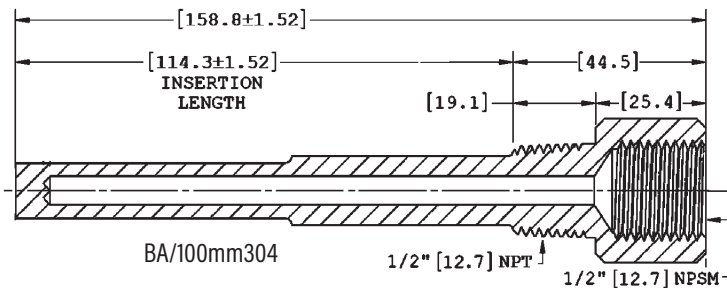
## SPECIFICATIONS

### MATERIAL:

304 Stainless Steel

### EXTERNAL THREAD:

BSPT or NPT with either 1/4" or 1/2" threads



## ORDERING

PART NUMBER:	DESCRIPTION:	PRICE:
BA/100mm304	Thermowell Machined 304 Stainless Steel 100mm, 1/2" NPT Outer Threads	€ 25.90
BA/200mm304	Thermowell Machined 304 Stainless Steel 200mm, 1/2" NPT Outer Threads	€ 51.70
BA/50mm304BSPT	Thermowell Machined 304 Stainless Steel 50mm, 1/2" BSPT Outer Threads	€ 18.95
BA/100mm304BSPT	Thermowell Machined 304 Stainless Steel 100mm, 1/2" BSPT Outer Threads	€ 25.85
BA/200mm304BSPT	Thermowell Machined 304 Stainless Steel 200mm, 1/2" BSPT Outer Threads	€ 51.70
BA/50mm316BSPT	Thermowell Machined 316 Stainless Steel 50mm, 1/2" BSPT Outer Threads	€ 37.95
BA/100mm316BSPT	Thermowell Machined 316 Stainless Steel 100mm, 1/2" BSPT Outer Threads	€ 43.10
BA/200mm316BSPT	Thermowell Machined 316 Stainless Steel 200mm, 1/2" BSPT Outer Threads	€ 68.95
BA/50mm304-1/4BSPT	Thermowell Machined 304 Stainless Steel 50mm, 1/4" BSPT Outer Threads	€ 18.95

NOTE: Grey shaded items follow the Buy and Resale Multiplier.

# CLAMP-ON

## Temperature Sensors

- Bendable copper sensing plate, forms to curvatures of pipes
- Adjustable hose clamp for pipes from 50 to 115mm diameter
- BAPI-Box Crossover enclosure with hinged cover
- Lifetime limited warranty

Clamp-on sensors are designed to monitor water temperature in retrofit or filled pipe applications.

The unit has a bendable copper sensing plate which forms to the curvature of the pipe. The unit comes with an adjustable clamp that holds the unit in place around pipes 50 to 115mm in diameter.



**LIFETIME  
LIMITED  
WARRANTY**



Comes with  
Wiring Gland  
on the open port

TEMPERATURE

## SPECIFICATIONS

### ENVIRONMENTAL OPERATING RANGE:

Temperature: -40 to 85°C

### ENCLOSURE MATERIAL & RATING:

UV-resistant UL94, V-0 polycarbonate cover and nylon base

### ENCLOSURE RATING:

IP44 with knockout plug in open port

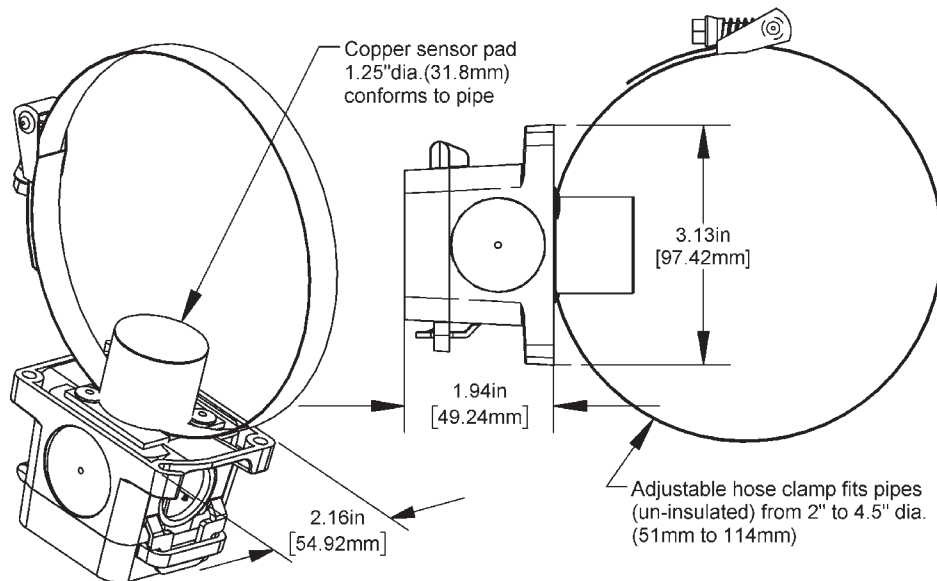
### TEMP SENSING ELEMENT & ACCURACY:

10K-2 Thermistor:  $\pm 0.2^{\circ}\text{C}$  (0 to 70°C)

10K-3 Thermistor:  $\pm 0.2^{\circ}\text{C}$  (0 to 70°C)

10K-4 Thermistor:  $\pm 0.2^{\circ}\text{C}$  (0 to 70°C)

1K RTD:  $\pm 0.12\%$  at 0°C (385 curve)



## ORDERING

PART NUMBER:	DESCRIPTION:	PRICE:
BA/10K-2-S-BBX	10K-2 Thermistor, BAPI-Box Crossover Enclosure with Clamp-On Strap. Fits 5 to 11.4cm diameter pipes	€ 30.60
BA/10K-3-S-BBX	10K-3 Thermistor, BAPI-Box Crossover Enclosure with Clamp-On Strap. Fits 5 to 11.4cm diameter pipes	€ 30.60
BA/10K-4-S-BBX	10K-4 Thermistor, BAPI-Box Crossover Enclosure with Clamp-On Strap. Fits 5 to 11.4cm diameter pipes	€ 30.60
BA/1K-S-BBX	1K Platinum RTD (385 Curve), BAPI-Box Crossover Enclosure with Clamp-On Strap. Fits 5 to 11.4cm diameter pipes (PT1000)	€ 36.60
- TB	Test & Balance Switch (This is an available option. Please add "-TB" to the end of the sensor part number to order.)	€6.50

# OUTSIDE AIR SENSOR

## BAPI-Box 2

- Quick-response sensor
- IP66-rated BAPI-Box 2 enclosure
- Well-vented sensor guard
- Test & Balance Switch available for point-to-point testing

Outside Air Units are designed to be mounted outdoors. The UV-resistant plastic shield keeps the sensor out of the sunlight and allows for excellent air circulation. The units are available in a BAPI-Box 2 polycarbonate enclosure which carries an IP66 rating.

All Outside Air Units have etched Teflon leadwires and can withstand high humidity and condensation and perform under real world conditions. This is especially important in an outside air application which can be exposed to rain, snow and large temperature swings.



**ANOTHER ORIGINAL**

**LIFETIME LIMITED WARRANTY**

TEMPERATURE

## SPECIFICATIONS

### ENVIRONMENTAL OPERATING RANGE:

Temperature Sensor: -40 to 85°C  
Humidity: 0 to 100% RH, non-condensing

### ENCLOSURE MATERIAL & RATING:

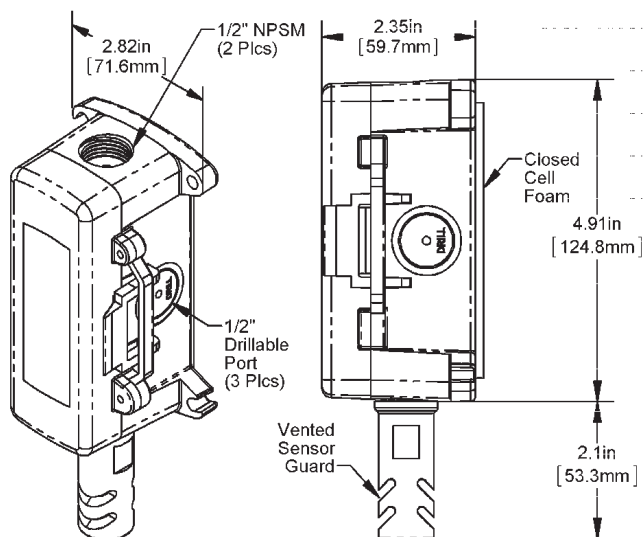
UV-resistant UL94, V-0 polycarbonate

### ENCLOSURE RATING:

IP66

### TEMP SENSING ELEMENT & ACCURACY:

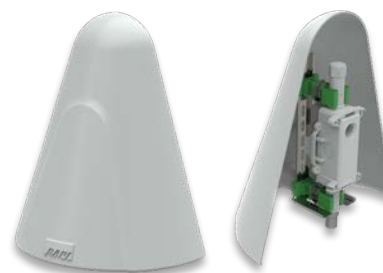
10K-2 Thermistor:  $\pm 0.2^\circ\text{C}$  (0 to 70°C)  
10K-3 Thermistor:  $\pm 0.2^\circ\text{C}$  (0 to 70°C)  
10K-4 Thermistor:  $\pm 0.2^\circ\text{C}$  (0 to 70°C)  
1K RTD:  $\pm 0.12\%$  at 0°C (385 curve)



### ALSO AVAILABLE:

## Weather Shade

External temperature, humidity and air quality sensors can be affected by solar heat gain. The BAPI Weather Shade effectively blocks the solar heat gain, improving the accuracy of the sensor.



See page 65 to learn more.

## ORDERING

PART NUMBER:	DESCRIPTION:	PRICE:
BA/10K-2-0-BB2	10K-2 Thermistor, IP66 BAPI-Box2 Enclosure	€ 25.80
BA/10K-3-0-BB2	10K-3 Thermistor, IP66 BAPI-Box2 Enclosure	€ 25.80
BA/10K-4-0-BB2	10K-4 Thermistor, IP66 BAPI-Box2 Enclosure	€ 25.80
BA/1K-0-BB2	1K Platinum RTD (385 Curve), IP66 Bapi-Box-2 Enclosure (PT1000)	€ 31.85
- TB	Test & Balance Switch (This is an available option. Please add "-TB" to the end of the sensor part number to order.)	€6.50

# REMOTE SENSOR

## Temperature Sensors

- Epoxy encapsulated shell with plenum-rated cable
- Ideal for tight areas where traditional immersion or duct sensor will not fit
- Lifetime limited warranty
- Multiple cable lengths available

BAPI Remote Sensors feature a 19mm long encapsulation shell and plenum-rated cable leads in lengths of 1.2, 2, 5, and 10m. Remote Sensors are perfect for tight locations. Additional cable options and lengths available.



**LIFETIME  
LIMITED  
WARRANTY**

TEMPERATURE

## SPECIFICATIONS

### ENVIRONMENTAL OPERATING RANGE:

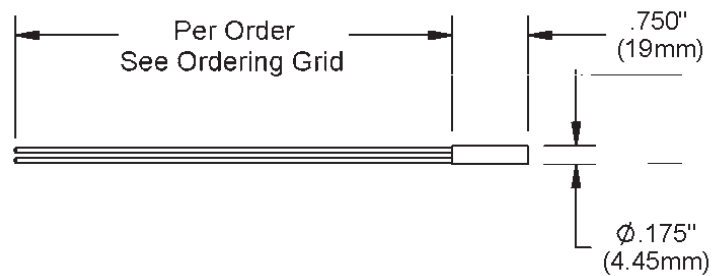
Temperature: -40 to 70°C  
Humidity: 0 to 100% RH, non-condensing

### CABLE LEADS:

1.2, 2.0, 5.0 or 10.0m plenum-rated cable leads

### TEMP SENSING ELEMENT & ACCURACY:

10K-2 Thermistor: ±0.2°C (0 to 70°C)  
10K-3 Thermistor: ±0.2°C (0 to 70°C)  
10K-4 Thermistor: ±0.2°C (0 to 70°C)  
1K RTD: ±0.12% at 0°C (385 curve)



## ORDERING

PART NUMBER:	DESCRIPTION:	PRICE:
BA/10K-2-PP-1.2m	10K-2 Thermistor, 1.2m Cable	€ 13.50
BA/10K-2-PP-2.0m	10K-2 Thermistor, 2.0m Cable	€ 14.50
BA/10K-2-PP-5.0m	10K-2 Thermistor, 5.0m Cable	€ 17.95
BA/10K-2-PP-10.0m	10K-2 Thermistor, 10.0m Cable	€ 23.10
BA/10K-3-PP-1.2m	10K-3 Thermistor, 1.2m Cable	€ 13.50
BA/10K-3-PP-2.0m	10K-3 Thermistor, 2.0m Cable	€ 14.50
BA/10K-3-PP-5.0m	10K-3 Thermistor, 5.0m Cable	€ 17.95
BA/10K-3-PP-10.0m	10K-3 Thermistor, 10.0m Cable	€ 23.10
BA/10K-4-PP-1.2m	10K-4 Thermistor, 1.2m Cable	€ 13.50
BA/10K-4-PP-2.0m	10K-4 Thermistor, 2.0m Cable	€ 14.50
BA/10K-4-PP-5.0m	10K-4 Thermistor, 5.0m Cable	€ 17.95
BA/10K-4-PP-10.0m	10K-4 Thermistor, 10.0m Cable	€ 23.10
BA/1K-PP-1.2m	1K Platinum RTD (385 Curve) 1.2m Cable (PT1000)	€ 19.50
BA/1K-PP-2.0m	1K Platinum RTD (385 Curve) 2.0m Cable (PT1000)	€ 20.50
BA/1K-PP-5.0m	1K Platinum RTD (385 Curve) 5.0m Cable (PT1000)	€ 23.95
BA/1K-PP-10.0m	1K Platinum RTD (385 Curve) 10.0m Cable (PT1000)	€ 29.10

### Termination Box

PART NUMBER:	DESCRIPTION:	PRICE:
BA/BBX-RP-LTF	BAPI-Box Crossover Enclosure with Wiring Gland	€8.60
-TB	Test & Balance Switch (This is an available option. Please add "-TB" to the end of the sensor part number to order.)	€6.50

# REMOTE PROBE

## Temperature Sensors

- Double encapsulated sensor, more resistant to moisture
- Plenum-rated cable
- Multiple cable lengths available
- Lifetime limited warranty



**LIFETIME  
LIMITED  
WARRANTY**

Remote Temperature Probes feature a 44.5mm long stainless steel probe with plenum-rated cable leads in lengths of 1.2, 2, 5 and 10m.

Remote Probes are commonly used in refrigerated case or strap-on applications. They are ideal for hard-to-access areas or spaces where the usual Immersion or Duct Sensors do not fit well.

## SPECIFICATIONS

### ENVIRONMENTAL OPERATING RANGE:

Temperature: -40 to 70°C  
Humidity: 0 to 100% RH, non-condensing

### PROBE MATERIAL:

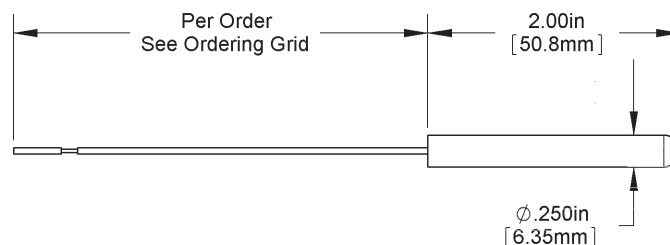
Stainless Steel

### CABLE LEADS:

1.2, 2.0, 5.0 or 10.0m plenum-rated cable leads

### TEMP SENSING ELEMENT & ACCURACY:

10K-2 Thermistor:  $\pm 0.2^\circ\text{C}$  (0 to 70°C)  
10K-3 Thermistor:  $\pm 0.2^\circ\text{C}$  (0 to 70°C)  
10K-4 Thermistor:  $\pm 0.2^\circ\text{C}$  (0 to 70°C)  
1K RTD:  $\pm 0.12\%$  at 0°C (385 curve)



## ORDERING

PART NUMBER:	DESCRIPTION:	PRICE:
BA/10K-2-RPP-1.2m	10K-2 Thermistor, 1.2m Cable, SS Probe	€ 16.90
BA/10K-2-RPP-2.0m	10K-2 Thermistor, 2.0m Cable, SS Probe	€ 17.95
BA/10K-2-RPP-5.0m	10K-2 Thermistor, 5.0m Cable, SS Probe	€ 21.40
BA/10K-2-RPP-10.0m	10K-2 Thermistor, 10.0m Cable, SS Probe	€ 26.55
BA/10K-3-RPP-1.2m	10K-3 Thermistor, 1.2m Cable, SS Probe	€ 16.90
BA/10K-3-RPP-2.0m	10K-3 Thermistor, 2.0m Cable, SS Probe	€ 17.95
BA/10K-3-RPP-5.0m	10K-3 Thermistor, 5.0m Cable, SS Probe	€ 21.40
BA/10K-3-RPP-10.0m	10K-3 Thermistor, 10.0m Cable, SS Probe	€ 26.55
BA/10K-4-RPP-1.2m	10K-4 Thermistor, 1.2m Cable, SS Probe	€ 16.90
BA/10K-4-RPP-2.0m	10K-4 Thermistor, 2.0m Cable, SS Probe	€ 17.95
BA/10K-4-RPP-5.0m	10K-4 Thermistor, 5.0m Cable, SS Probe	€ 21.40
BA/10K-4-RPP-10.0m	10K-4 Thermistor, 10.0m Cable, SS Probe	€ 26.55
BA/1K-RPP-1.2m	1K Platinum RTD (385 Curve) 1.2m Cable, SS Probe (PT1000)	€ 22.90
BA/1K-RPP-2.0m	1K Platinum RTD (385 Curve) 2.0m Cable, SS Probe (PT1000)	€ 23.25
BA/1K-RPP-5.0m	1K Platinum RTD (385 Curve) 5.0m Cable, SS Probe (PT1000)	€ 27.40
BA/1K-RPP-10.0m	1K Platinum RTD (385 Curve) 10.0m Cable, SS Probe (PT1000)	€ 32.55

### Termination Box

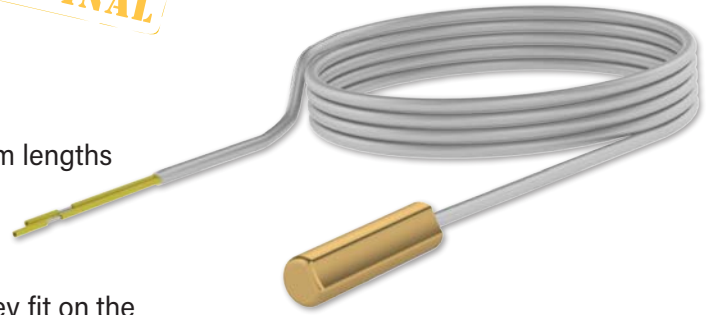
PART NUMBER:	DESCRIPTION:	PRICE:
BA/BBX-RP-LTF	BAPI-Box Crossover Enclosure with Wiring Gland	€8.60
-TB	Test & Balance Switch (This is an available option. Please add "-TB" to the end of the sensor part number to order.)	€6.50

# CONCAVE PROBE

## Temperature Sensors

ANOTHER ORIGINAL

- Double encapsulated sensor, more resistant to moisture
- 35mm long concave brass probe
- Plenum-rated cable or FEP-jacketed cable in 1.2 and 2.0m lengths
- Wide selection of temperature sensing elements



The Remote Concave Probes feature a 35mm long brass encapsulation shell with a concave indentation so that they fit on the outside of pipes such as condenser lines.

They come with two cable options: plenum-rated cable or FEP-jacketed water resistant cable in 1.2 and 2.0m lead lengths. Other lengths available upon request.

**LIFETIME LIMITED WARRANTY**

TEMPERATURE

## SPECIFICATIONS

### ENVIRONMENTAL OPERATING RANGE:

Temperature: -40 to 105°C for FEP cable, -40 to 70°C for plenum-rated cable  
Humidity: 0 to 100% RH, non-condensing

### PROBE MATERIAL:

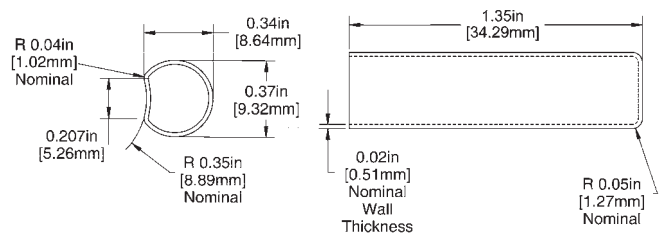
Brass

### CABLE LEADS:

1.2 or 2.0m plenum-rated cable or FEP-jacketed cable leads

### TEMP SENSING ELEMENT & ACCURACY:

10K-2 Thermistor: ±0.2°C (0 to 70°C)  
10K-3 Thermistor: ±0.2°C (0 to 70°C)  
10K-4 Thermistor: ±0.2°C (0 to 70°C)  
1K RTD: ±0.12% at 0°C (385 curve)



## ORDERING

PART NUMBER:	DESCRIPTION:	PRICE:
BA/10K-2-CPP-1.2m	10K-2 Thermistor, Concave Brass Probe, 1.2m Cable	€ 20.35
BA/10K-2-CPP-2.0m	10K-2 Thermistor, Concave Brass Probe, 2.0m Cable	€ 21.40
BA/10K-2-CPFEP-1.2m	10K-2 Thermistor, Concave Brass Probe, 1.2m FEP Cable	€ 22.40
BA/10K-2-CPFEP-2.0m	10K-2 Thermistor, Concave Brass Probe, 2.0m FEP Cable	€ 23.80
BA/10K-3-CPP-1.2m	10K-3 Thermistor, Concave Brass Probe, 1.2m Cable	€ 20.35
BA/10K-3-CPP-2.0m	10K-3 Thermistor, Concave Brass Probe, 2.0m Cable	€ 21.40
BA/10K-3-CPFEP-1.2m	10K-3 Thermistor, Concave Brass Probe, 1.2m FEP Cable	€ 22.40
BA/10K-3-CPFEP-2.0m	10K-3 Thermistor, Concave Brass Probe, 2.0m FEP Cable	€ 23.80
BA/10K-4-CPP-1.2m	10K-4 Thermistor, Concave Brass Probe, 1.2m Cable	€ 20.35
BA/10K-4-CPP-2.0m	10K-4 Thermistor, Concave Brass Probe, 2.0m Cable	€ 21.40
BA/10K-4-CPFEP-1.2m	10K-4 Thermistor, Concave Brass Probe, 1.2m FEP Cable	€ 22.40
BA/10K-4-CPFEP-2.0m	10K-4 Thermistor, Concave Brass Probe, 2.0m FEP Cable	€ 23.80
BA/1K-CPP-1.2m	1K Platinum RTD (385 Curve), Concave Brass Probe, 1.2m Cable (PT1000)	€ 26.35
BA/1K-CPP-2.0m	1K Platinum RTD (385 Curve), Concave Brass Probe, 2.0m Cable (PT1000)	€ 27.40
BA/1K-CPFEP-1.2m	1K Platinum RTD (385 Curve), Concave Brass Probe, 1.2m FEP Cable (PT1000)	€ 28.40
BA/1K-CPFEP-2.0m	1K Platinum RTD (385 Curve), Concave Brass Probe, 2.0m FEP Cable (PT1000)	€ 29.80

### Termination Box

PART NUMBER:	DESCRIPTION:	PRICE:
BA/BBX-RP-LTF	BAPI-Box Crossover Enclosure with Wiring Gland	€8.60
-TB	Test & Balance Switch (This is an available option. Please add "-TB" to the end of the sensor part number to order.)	€6.50

# SURFACE SENSOR

## Temperature Sensors

ANOTHER ORIGINAL

- Copper encapsulation shell and thermal adhesive for increased temperature transfer
- Easy to install on flat surfaces
- FEP-Jacketed cable

The Surface Sensor features a 19mm diameter copper encapsulation shell with a thermally adhesive tape to mount on flat surfaces.

Surface Sensors are commonly used on glass windows and doors, solar panel modules, and other hard-to-access areas where a Remote Probe may be difficult to mount.

Unit includes a square closed-cell foam cover to isolate the sensor from the ambient air.



LIFETIME LIMITED WARRANTY

TEMPERATURE

## SPECIFICATIONS

### ENVIRONMENTAL OPERATING RANGE:

Temperature: -40 to 105°C  
Humidity: 0 to 100% RH, non-condensing

### PROBE MATERIAL:

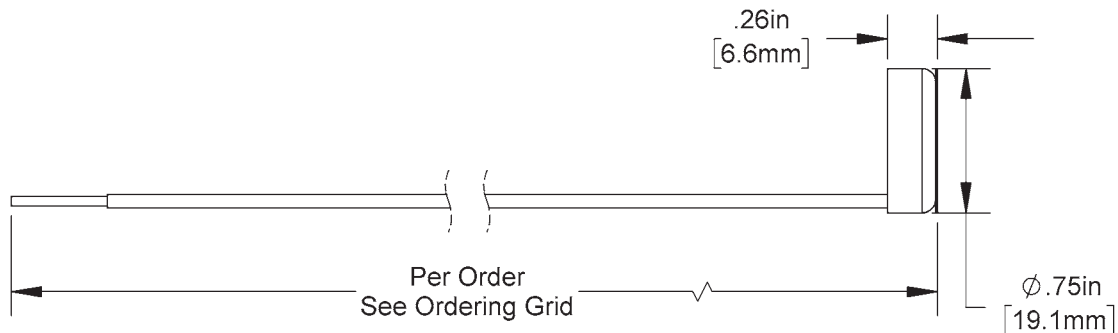
Copper 110

### CABLE LEADS:

1.2 or 2.0m FEP-jacketed cable leads

### TEMP SENSING ELEMENT & ACCURACY:

10K-2 Thermistor: ±0.2°C (0 to 70°C)  
10K-3 Thermistor: ±0.2°C (0 to 70°C)  
10K-4 Thermistor: ±0.2°C (0 to 70°C)  
1K RTD: ±0.12% at 0°C (385 curve)



## ORDERING

PART NUMBER:	DESCRIPTION:	PRICE:
BA/10K-2-SMFEP-1.2m	10K-2 Thermistor, Copper Encapsulation Shell, 1.2m FEP Cable	€ 31.90
BA/10K-2-SMFEP-2.0m	10K-2 Thermistor, Copper Encapsulation Shell, 2.0m FEP Cable	€ 33.30
BA/10K-3-SMFEP-1.2m	10K-3 Thermistor, Copper Encapsulation Shell, 1.2m FEP Cable	€ 31.90
BA/10K-3-SMFEP-2.0m	10K-3 Thermistor, Copper Encapsulation Shell, 2.0m FEP Cable	€ 33.30
BA/10K-4-SMFEP-1.2m	10K-4 Thermistor, Copper Encapsulation Shell, 1.2m FEP Cable	€ 31.90
BA/10K-4-SMFEP-2.0m	10K-4 Thermistor, Copper Encapsulation Shell, 2.0m FEP Cable	€ 33.30
BA/1K-SMFEP-1.2m	1K Platinum RTD (385 Curve), Copper Encapsulation Shell, 1.2m FEP Cable (PT1000)	€ 37.95
BA/1K-SMFEP-2.0m	1K Platinum RTD (385 Curve), Copper Encapsulation Shell, 2.0m FEP Cable (PT1000)	€ 39.35

# THERMOBUFFER SENSOR

## BAPI-Box Crossover

- Tracks temperature of contents inside a freezer or fridge
- BAPI-Box Crossover enclosure
- Stainless steel chamber
- Lifetime limited warranty

The BAPI Thermobuffer Temperature Sensor is used to simulate more closely the fridge or freezer contents rather than the air temperature. The Thermobuffer chamber allows for slower reaction to abrupt temperature changes, yet still maintains long-term accuracy if the change remains permanent.

The Thermobuffer chamber comes in two sizes, 25 and 100mm, and is designed to save valuable shelf space by mounting to the wall or by hanger in a fridge or freezer. The Thermobuffer chamber is machined in 304 stainless steel.

ANOTHER ORIGINAL



Comes with Wiring Gland

BAPI-Box Crossover with 50mm Chamber

**LIFETIME LIMITED WARRANTY**

TEMPERATURE

## SPECIFICATIONS

### PROBE:

Stainless steel

### WIRE:

22AWG Etched Teflon

### BUFFER CHAMBER CONSTRUCTION:

304 stainless steel

### ENVIRONMENTAL OPERATING RANGE:

Temperature: -40 to 85°C

Humidity: 0-100% RH, condensing

### CHAMBER FLUID: CUSTOMER SUPPLIED:

Glycol Mix: Food grade required

25mm Chamber: ~7 ml of fluid

100mm Chamber: ~32 ml of fluid

### ENCLOSURE MATERIAL & RATING:

UV-resistant polycarbonate, UL94 V-0

### ENCLOSURE RATING:

IP44 with knockout plug in open port

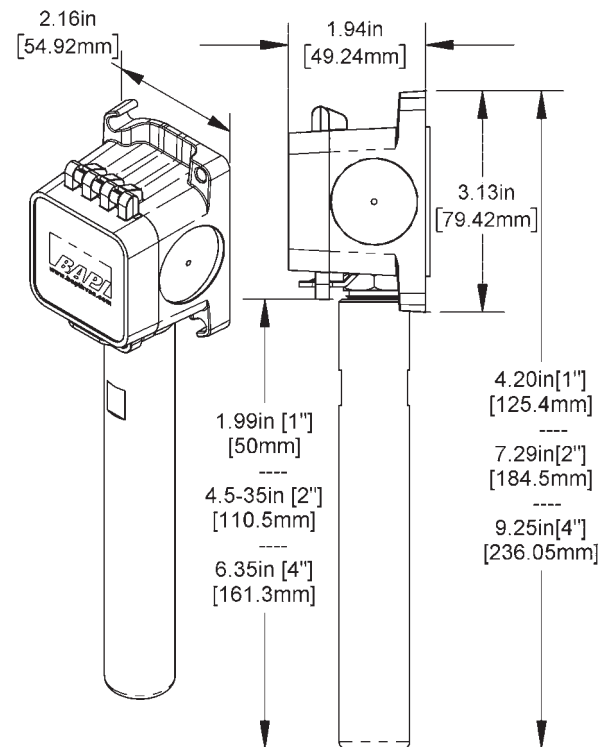
### TEMP SENSING ELEMENT & ACCURACY:

10K-2 Thermistor:  $\pm 0.2^{\circ}\text{C}$  (0 to 70°C)

10K-3 Thermistor:  $\pm 0.2^{\circ}\text{C}$  (0 to 70°C)

10K-4 Thermistor:  $\pm 0.2^{\circ}\text{C}$  (0 to 70°C)

1K RTD:  $\pm 0.12\%$  at 0°C (385 curve)



## ORDERING

PART NUMBER:	DESCRIPTION:	PRICE:
BA/10K-2-TB-M304-1-BBX	10K-2 Thermistor, BAPI-Box Crossover Enclosure with 25mm Thermobuffer	€ 84.45
BA/10K-2-TB-M304-4-BBX	10K-2 Thermistor, BAPI-Box Crossover Enclosure with 100mm Thermobuffer	€ 180.95
BA/10K-3-TB-M304-1-BBX	10K-3 Thermistor, BAPI-Box Crossover Enclosure with 25mm Thermobuffer	€ 84.45
BA/10K-3-TB-M304-4-BBX	10K-3 Thermistor, BAPI-Box Crossover Enclosure with 100mm Thermobuffer	€ 180.95
BA/10K-4-TB-M304-1-BBX	10K-4 Thermistor, BAPI-Box Crossover Enclosure with 25mm Thermobuffer	€ 84.45
BA/10K-4-TB-M304-4-BBX	10K-4 Thermistor, BAPI-Box Crossover Enclosure with 100mm Thermobuffer	€ 180.95
BA/1K-TB-M304-1-BBX	1K Platinum RTD (385 Curve), BAPI-Box Crossover Enclosure with 25mm Thermobuffer (PT1000)	€ 89.45
BA/1K-TB-M304-4-BBX	1K Platinum RTD (385 Curve), BAPI-Box Crossover Enclosure with 100mm Thermobuffer (PT1000)	€ 186.95
- TB	Test & Balance Switch (This is an available option. Please add "-TB" to the end of the sensor part number to order.)	€6.50

# HUMIDITY



# BAPI-STAT "QUANTUM" SENSOR

## Room Temperature & Humidity Sensor

- Modern enclosure design
- Optional temperature setpoint adjustment and occupant override
- Temperature, humidity and room occupancy status display
- Wide selection of temperature sensing elements

The BAPI-Stat "Quantum" room sensors feature a modern enclosure style with slider setpoint adjustment and occupancy override.

The optional LCD can display both temperature and humidity as well as room occupancy status. The display has been upgraded for higher contrast, providing improved clarity at greater distances.



ANOTHER ORIGINAL

5 YEAR WARRANTY

HUMIDITY

## SPECIFICATIONS

### POWER:

12 to 35 VDC for 4 to 20 mA or 0 to 5 VDC Output  
 15 to 35 VDC for 0 to 10 VDC Output  
 15 to 28 VAC for 0 to 5 VDC or 0 to 10 VDC Output  
 (AC power requires a separate pair of shielded wires.)

### POWER CONSUMPTION:

20 mA max. for 4 to 20 mA Output  
 4 mA max. for 0 to 5 VDC and 0 to 10 VDC Output  
 0.1 VA max. for 0 to 5 VDC and 0 to 10 VDC Output

### RH/TEMP SENSOR CONSTRUCTION:

Communicating Integrated Circuit  
 Humidity: Capacitive Polymer:  $\pm 2\%$  RH @ 25°C, 20 to 80% RH  
 Temp: Semi-conductor Band Gap:  $\pm 0.3^\circ\text{C}$  @ 20 to 40°C

### FIELD CALIBRATION ADJUSTMENT:

$\pm 5\%$  in 0.1% increments (Factory Calibrated)

### WIRING:

2 to 6 pair of 16 to 22 AWG

### ENVIRONMENTAL OPERATING RANGE:

Temperature: 0 to 50°C  
 Humidity: 0 to 95% RH, non-condensing

### MOUNTING:

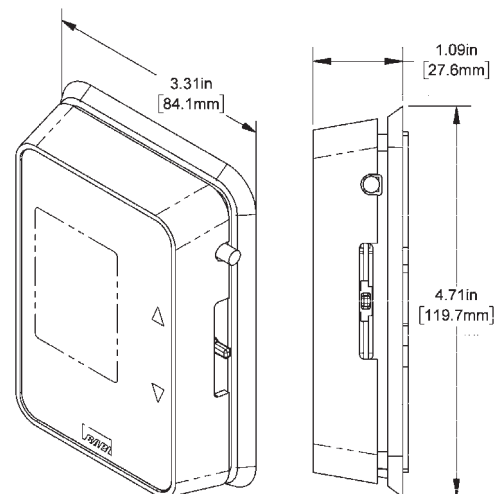
Universal backplate (screws provided)

### ENCLOSURE MATERIAL & RATING:

ABS Plastic, UL94 V-0

### TEMP SENSING ELEMENT & ACCURACY:

10K-2 Thermistor:  $\pm 0.2^\circ\text{C}$  (0 to 70°C)  
 10K-3 Thermistor:  $\pm 0.2^\circ\text{C}$  (0 to 70°C)  
 10K-4 Thermistor:  $\pm 0.2^\circ\text{C}$  (0 to 70°C)  
 1K RTD:  $\pm 0.12\%$  at 0°C (385 curve)



## ORDERING

PART NUMBER:	DESCRIPTION:	PRICE:
BA/HQ60C-B-C-1-C10-J	Display/10K-2 Thermistor/Temp Setpoint: 10 to 32°C/%RH Measurement: 0 to 100%/Override	€ 279.30
BA/HQ60C-C-C-1-C10-J	Display/10K-3 Thermistor/Temp Setpoint: 10 to 32°C/%RH Measurement: 0 to 100%/Override	€ 279.30
BA/HQ60C-V-C-1-C10-J	Display/10K-4 Thermistor/Temp Setpoint: 10 to 32°C/%RH Measurement: 0 to 100%/Override	€ 279.30
BA/HQ60C-A-C-1-C10-J	Display/1K Platinum RTD/Temp Setpoint: 10 to 32°C/%RH Measurement: 0 to 100%/Override	€ 285.30
BA/HQ60C-B-C-1-A10-J	Display/10K-2 Thermistor/Temp Setpoint: -3 to +3°/%RH Measurement: 0 to 100%/Override	€ 279.30
BA/HQ60C-C-C-1-A10-J	Display/10K-3 Thermistor/Temp Setpoint: -3 to +3°/%RH Measurement: 0 to 100%/Override	€ 279.30
BA/HQ60C-V-C-1-A10-J	Display/10K-4 Thermistor/Temp Setpoint: -3 to +3°/%RH Measurement: 0 to 100%/Override	€ 279.30
BA/HQ60C-A-C-1-A10-J	Display/1K Platinum RTD/Temp Setpoint: -3 to +3°/%RH Measurement: 0 to 100%/Override	€ 285.30
BA/HQ60X-B-C-X-XX-X	No Display/10K-2 Thermistor/%RH Measurement: 0 to 100%/No Override	€ 239.65
BA/HQ60X-C-C-X-XX-X	No Display/10K-3 Thermistor/%RH Measurement: 0 to 100%/No Override	€ 239.65
BA/HQ60X-V-C-X-XX-X	No Display/10K-4 Thermistor/%RH Measurement: 0 to 100%/No Override	€ 239.65
BA/HQ60X-A-C-X-XX-X	No Display/1K Platinum RTD/%RH Measurement: 0 to 100%/No Override	€ 245.65

**NOTE:** Temperature Setpoint and %RH Measurement all have 0 to 10V Output

# BAPI-STAT "QUANTUM PRIME" SENSOR

## Room Temperature & Humidity Sensor

ANOTHER ORIGINAL

- Modern enclosure design
- Membrane keypad for wipedown cleaning
- Temperature, humidity and room occupancy status display
- Great choice for operating rooms, clean rooms and elder care facilities

The BAPI-Stat "Quantum Prime" Wipedown Sensor is designed for operating rooms, clean rooms and elder care facilities. It features a large display and membrane keypad for wipedown cleaning. It is available with temperature and humidity measurement, temperature and humidity setpoint and occupant override.

The unit includes a number of field adjustments including °C or °F display, temperature and humidity offset and setpoint lockout. The display can also be set to show a large temperature and small %RH reading, a large %RH and a small temperature reading, or to alternate between the two. This unit can be configured with up to four transmitted variables.

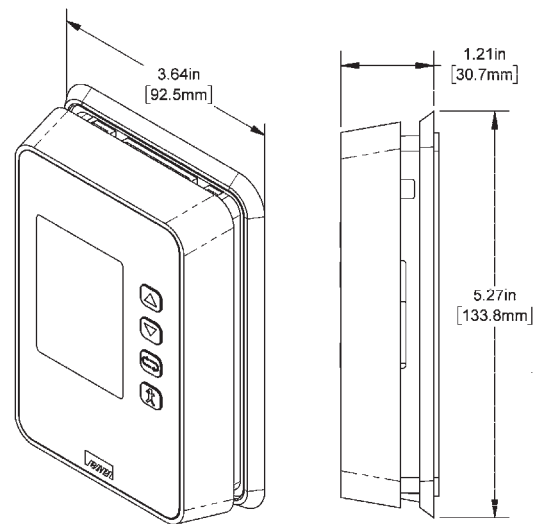


HUMIDITY

## SPECIFICATIONS

<b>POWER:</b>	15 to 40 VDC for 0 to 10 VDC output 15 to 28 VAC for 0 to 10 VDC output* Note: 15 to 24 VDC recommended for VDC unit.
<b>POWER CONSUMPTION:</b>	75 mA max. DC: 0 to 10 VDC Output 1.9 VA max. AC: 0 to 10 VDC Output
<b>RH/TEMP SENSOR CONSTRUCTION:</b>	Communicating Integrated Circuit Humidity: Capacitive Polymer: ±2% RH @ 25°C, 20 to 80% RH Temperature: Semi-conductor Band Gap: ±0.3°C @ 20 to 40°C
<b>MOUNTING:</b>	Universal backplate (screws provided)
<b>ENVIRONMENTAL OPERATING RANGE:</b>	Temperature: 0 to 50°C Humidity: 0 to 95% RH, non-condensing
<b>WIRING:</b>	2 to 5 pair of 16 to 22 AWG
<b>ENCLOSURE MATERIAL &amp; RATING:</b>	ABS Plastic, UL94 V-0

<b>TEMP SENSING ELEMENT &amp; ACCURACY:</b>	10K-2 Thermistor: ±0.2°C (0 to 70°C) 10K-3 Thermistor: ±0.2°C (0 to 70°C) 10K-4 Thermistor: ±0.2°C (0 to 70°C) 1K RTD: ±0.12% at 0°C (385 curve)
---	---



## ORDERING

PART NUMBER:	DESCRIPTION:	PRICE:
BA/HQP60C2-7C-16M-X-60CG-B	10K-2 Thermistor/Temp Setpoint: 10 to 32°C/%RH Measurement: 0 to 100%/Override	€ 343.10
BA/HQP60C2-7C-16M-X-60CG-C	10K-3 Thermistor/Temp Setpoint: 10 to 32°C/%RH Measurement: 0 to 100%/Override	€ 343.10
BA/HQP60C2-7C-16M-X-60CG-V	10K-4 Thermistor/Temp Setpoint: 10 to 32°C/%RH Measurement: 0 to 100%/Override	€ 343.10
BA/HQP60C2-7C-16M-X-60CG-A	1K Platinum RTD/Temp Setpoint: 10 to 32°C/%RH Measurement: 0 to 100%/Override	€ 349.10
BA/HQP60C2-6C-16M-25C10CG-60CG-X	Temp: 10 to 32°C, 0 to 10V/Temp Setpoint: 10 to 32°C/%RH Measurement: 0 to 100%/Override	€ 370.65
BA/HQP60C2-8M-16M-25C10CG-60CG-B	10K-2 Thermistor/Temp Setpoint: 10 to 32°C/%RH Measurement & Setpoint: 0 to 100%/Override	€ 386.20
BA/HQP60C2-8M-16M-25C10CG-60CG-C	10K-3 Thermistor/Temp Setpoint: 10 to 32°C/%RH Measurement & Setpoint: 0 to 100%/Override	€ 386.20
BA/HQP60C2-8M-16M-25C10CG-60CG-V	10K-4 Thermistor/Temp Setpoint: 10 to 32°C/%RH Measurement & Setpoint: 0 to 100%/Override	€ 386.20
BA/HQP60C2-8M-16M-25C10CG-60CG-A	1K Platinum RTD/Temp Setpoint: 10 to 32°C/%RH Measurement & Setpoint: 0 to 100%/Override	€ 392.20
BA/HQP60C2-6C-16M-25C10CG-47M10CG-61CG-X	Temp: 10 to 32°C, 0 to 10V/Temp Setpoint: 10 to 32°C/%RH Measurement & Setpoint: 0 to 100%/Override	€ 413.75

**NOTE:** Temperature Setpoint, %RH Measurement and %RH Setpoint all have 0 to 10V Output

# OUTSIDE AIR SENSOR

## Temperature & Humidity Sensor with BAPI-Box 2

- 10 points of calibration from 10 to 90%RH
- Humidity only or temperature/humidity combination
- BAPI-Box 2 IP66-Rated Enclosure style
- 2% RH accuracy

Humidity control is an important aspect of any climate control system. Therefore, humidity sensors must be both accurate and dependable. BAPI's humidity sensors are calibrated at 10 points from 10 to 90% RH for accuracy, eliminating field calibration. The BAPI-Box 2 is made of UV-resistant polycarbonate and has an IP66 rating.

**ANOTHER ORIGINAL**



**5 YEAR WARRANTY**

## SPECIFICATIONS

### POWER AND CONSUMPTION:

10 to 35 VDC, 22 mA max. (for 0 to 5 VDC or 4 to 20 mA humidity outputs)  
 15 to 35 VDC, 6 mA max. (for 0 to 10 VDC humidity output)  
 12 to 27 VAC, 0.53 VA max. (for 0 to 5 VDC humidity outputs)  
 15 to 27 VAC, 0.14 VA max. (for 0 to 10 VDC humidity output)

### SENSOR:

Humidity: Capacitive  $\pm 2\%$  RH (10 to 90% RH @ 23°C)  
 Temperature: Multiple options available, see sensor specifications section

### ENCLOSURE MATERIAL & RATING:

IP66 rated, UV-resistant, UL94 V-0 polycarbonate

### FILTER MATERIAL:

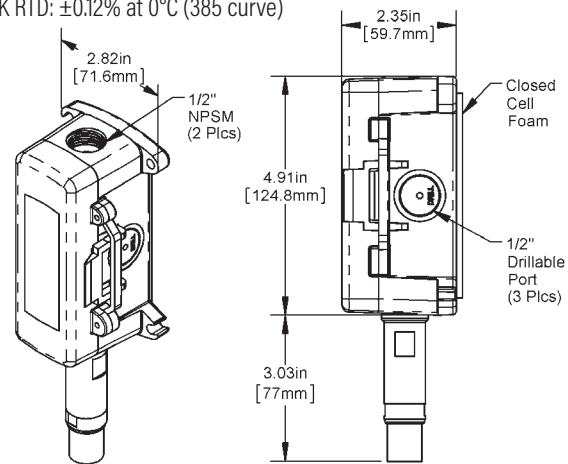
80 micron sintered stainless steel

### ENVIRONMENTAL OPERATING RANGE:

Temperature: -40 to 70°C  
 Humidity: 0% to 100% RH  
 Fully Temperature Compensated

### TEMP SENSING ELEMENT & ACCURACY:

10K-2 Thermistor:  $\pm 0.2^\circ\text{C}$  (0 to 70°C)  
 10K-3 Thermistor:  $\pm 0.2^\circ\text{C}$  (0 to 70°C)  
 10K-4 Thermistor:  $\pm 0.2^\circ\text{C}$  (0 to 70°C)  
 1K RTD:  $\pm 0.12\%$  at 0°C (385 curve)



HUMIDITY

## ORDERING

### Humidity Only

PART NUMBER:	DESCRIPTION:	PRICE:
BA/H200-0-BB2	0 to 5 V, IP66 BAPI-Box 2 Enclosure with Stainless Steel Filter, $\pm 2\%$ RH 10 to 90% RH	€ 217.20
BA/H220-0-BB2	4 to 20 mA, IP66 BAPI-Box 2 Enclosure with Stainless Steel Filter, $\pm 2\%$ RH 10 to 90% RH	€ 217.20
BA/H210-0-BB2	0 to 10 V, IP66 BAPI-Box 2 Enclosure with Stainless Steel Filter, $\pm 2\%$ RH 10 to 90% RH	€ 217.20

### Temperature and Humidity Combination

PART NUMBER:	DESCRIPTION:	PRICE:
BA/10K-2-H200-0-BB2	10K-2 Thermistor/%RH: 0 to 100% Range, 0 to 5V Output	€ 232.75
BA/10K-3-H200-0-BB2	10K-3 Thermistor/%RH: 0 to 100% Range, 0 to 5V Output	€ 232.75
BA/10K-4-H200-0-BB2	10K-4 Thermistor/%RH: 0 to 100% Range, 0 to 5V Output	€ 232.75
BA/1K-H200-0-BB2	1K Platinum RTD/%RH: 0 to 100% Range, 0 to 5V Output	€ 238.75
BA/10K-2-H220-0-BB2	10K-2 Thermistor/%RH: 0 to 100% Range, 4 to 20mA Output	€ 232.75
BA/10K-3-H220-0-BB2	10K-3 Thermistor/%RH: 0 to 100% Range, 4 to 20mA Output	€ 232.75
BA/10K-4-H220-0-BB2	10K-4 Thermistor/%RH: 0 to 100% Range, 4 to 20mA Output	€ 232.75
BA/1K-H220-0-BB2	1K Platinum RTD/%RH: 0 to 100% Range, 4 to 20mA Output	€ 238.75
BA/10K-2-H210-0-BB2	10K-2 Thermistor/%RH: 0 to 100% Range, 0 to 10V Output	€ 232.75
BA/10K-3-H210-0-BB2	10K-3 Thermistor/%RH: 0 to 100% Range, 0 to 10V Output	€ 232.75
BA/10K-4-H210-0-BB2	10K-4 Thermistor/%RH: 0 to 100% Range, 0 to 10V Output	€ 232.75
BA/1K-H210-0-BB2	1K Platinum RTD /%RH: 0 to 100% Range, 0 to 10V Output	€ 238.75

# DUCT SENSOR

## Temperature & Humidity Sensor with BAPI-Box Crossover

- 10 points of calibration from 10 to 90% RH
- Humidity only or temperature/humidity combination
- Green power indication LED
- 2% RH accuracy

Humidity control is an important aspect of any climate control system. Therefore, humidity sensors must be both accurate and dependable. BAPI's humidity sensors are calibrated at 10 points from 10 to 90% RH for accuracy, eliminating field calibration.

The Duct Units are also extremely dependable and durable. The BAPI-Box Crossover cover enclosure is made of UV-resistant polycarbonate with a nylon base.

**5**  
YEAR  
WARRANTY

**ANOTHER  
ORIGINAL**



Comes with Wiring Gland

HUMIDITY

## SPECIFICATIONS

### POWER AND CONSUMPTION:

- 10 to 35 VDC, 22 mA max. (units with 0 to 5 VDC or 4 to 20 mA humidity outputs)
- 15 to 35 VDC, 6 mA max. (units with 0 to 10 VDC humidity output)
- 12 to 27 VAC, 0.53 VA max. (units with 0 to 5 VDC humidity outputs)
- 15 to 27 VAC, 0.14 VA max. (units with 0 to 10 VDC humidity output)

### SENSING ELEMENTS:

- Humidity: Capacitive  $\pm 2\%$  RH (10 to 90% RH @ 23°C)
- Temperature: Multiple options available, see sensor specifications section

### ENCLOSURE MATERIAL & RATING:

- UV-resistant, UL94 V-0 polycarbonate cover and nylon base

### FILTER MATERIAL:

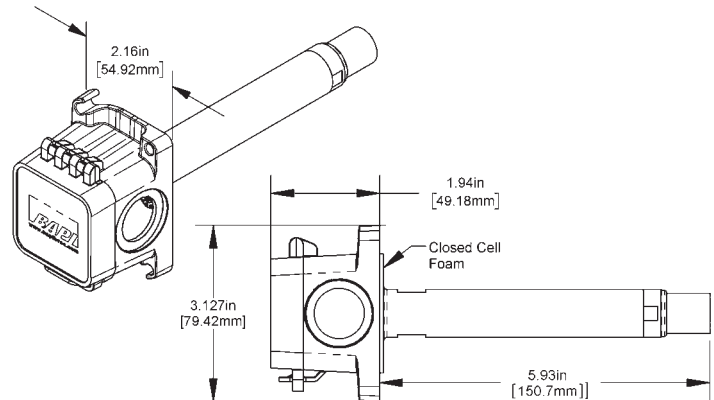
- 80 micron sintered stainless steel

### ENVIRONMENTAL OPERATING RANGE:

- Temperature: -40 to 70°C
- Humidity: 0% to 100% RH
- Fully Temperature Compensated

### TEMP SENSING ELEMENT & ACCURACY:

- 10K-2 Thermistor:  $\pm 0.2^\circ\text{C}$  (0 to 70°C)
- 10K-3 Thermistor:  $\pm 0.2^\circ\text{C}$  (0 to 70°C)
- 10K-4 Thermistor:  $\pm 0.2^\circ\text{C}$  (0 to 70°C)
- 1K RTD:  $\pm 0.12\%$  at 0°C (385 curve)



## ORDERING

### Humidity Only

PART NUMBER:	DESCRIPTION:	PRICE:
BA/H200-D-BBX	0 to 5 V, BAPI-Box Crossover Enclosure with Stainless Steel Filter, $\pm 2\%$ RH 10 to 90% RH	€ 206.90
BA/H220-D-BBX	4 to 20 mA, BAPI-Box Crossover Enclosure with Stainless Steel Filter, $\pm 2\%$ RH 10 to 90% RH	€ 206.90
BA/H210-D-BBX	0 to 10 V, BAPI-Box Crossover Enclosure with Stainless Steel Filter, $\pm 2\%$ RH 10 to 90% RH	€ 206.90

### Temperature and Humidity Combination

PART NUMBER:	DESCRIPTION:	PRICE:
BA/10K-2-H200-D-BBX	10K-2 Thermistor/%RH: 0 to 100% Range, 0 to 5 V Output	€ 222.40
BA/10K-3-H200-D-BBX	10K-3 Thermistor/%RH: 0 to 100% Range, 0 to 5 V Output	€ 222.40
BA/10K-4-H200-D-BBX	10K-4 Thermistor/%RH: 0 to 100% Range, 0 to 5 V Output	€ 222.40
BA/1K-H200-D-BBX	1K Platinum RTD/%RH: 0 to 100% Range, 0 to 5 V Output	€ 228.40
BA/10K-2-H220-D-BBX	10K-2 Thermistor/%RH: 0 to 100% Range, 4 to 20 mA Output	€ 222.40
BA/10K-3-H220-D-BBX	10K-3 Thermistor/%RH: 0 to 100% Range, 4 to 20 mA Output	€ 222.40
BA/10K-4-H220-D-BBX	10K-4 Thermistor/%RH: 0 to 100% Range, 4 to 20 mA Output	€ 222.40
BA/1K-H220-D-BBX	1K Platinum RTD/%RH: 0 to 100% Range, 4 to 20 mA Output	€ 228.40
BA/10K-2-H210-D-BBX	10K-2 Thermistor/%RH: 0 to 100% Range, 0 to 10 V Output	€ 222.40
BA/10K-3-H210-D-BBX	10K-3 Thermistor/%RH: 0 to 100% Range, 0 to 10 V Output	€ 222.40
BA/10K-4-H210-D-BBX	10K-4 Thermistor/%RH: 0 to 100% Range, 0 to 10 V Output	€ 222.40
BA/1K-H210-D-BBX	1K Platinum RTD/%RH: 0 to 100% Range, 0 to 10 V Output	€ 228.40

# PENDANT SENSOR

## Temperature & Humidity Sensor with BAPI-Box Crossover

- 4 to 20mA Temperature Output over a 4.5 to 49°C Range
- 4 to 20mA Humidity Output over a 20 to 90%RH Range
- NIST Certified Temperature at 23.9, 26.7 & 29.4°C
- NIST Certified Humidity at 40, 50 and 60%RH@23.9°C
- Sensor Hangs from 3.7 meters of PVC-Jacketed Cable
- 2%RH Humidity Accuracy
- ±0.3°C Temperature Accuracy

BAPI's Pendant Temperature and Humidity Sensor features a BAPI-Box enclosure and 3.7 meters of PVC-jacketed cable. The temperature measurement has a 4 to 20mA output over a 4.5 to 49°C range with an accuracy of ±0.3°C.

The humidity measurement has a 4 to 20mA output over a 20 to 90%RH range.



ANOTHER ORIGINAL

HUMIDITY

## SPECIFICATIONS

### POWER AND CONSUMPTION:

16 to 40 VDC, 40 mA max (20 mA/loop) DC

### HUMIDITY SENSING ELEMENT:

Type: Capacitive Polymer

Output: 4 to 20mA over 20 to 90%RH Range

Accuracy: 2% (20 to 80%RH @ 25°C), Non-condensing  
3% (80 to 90%RH @ 25°C), Non-condensing

### TEMPERATURE SENSING ELEMENT:

Type: 1KΩ, 2 Wire Platinum RTD, 385 Curve

Output: 4 to 20mA over 4.5 to 49°C Range

Accuracy: ±0.3°C

### OUTPUT IMPEDENCE (MAX LOAD/LOOP):

700Ω @ 24VDC, Voltage drop is 10VDC  
(Supply Voltage - 10VDC) / 0.02 Amps = Max load Impedance

### ENCLOSURE MATERIAL & RATING:

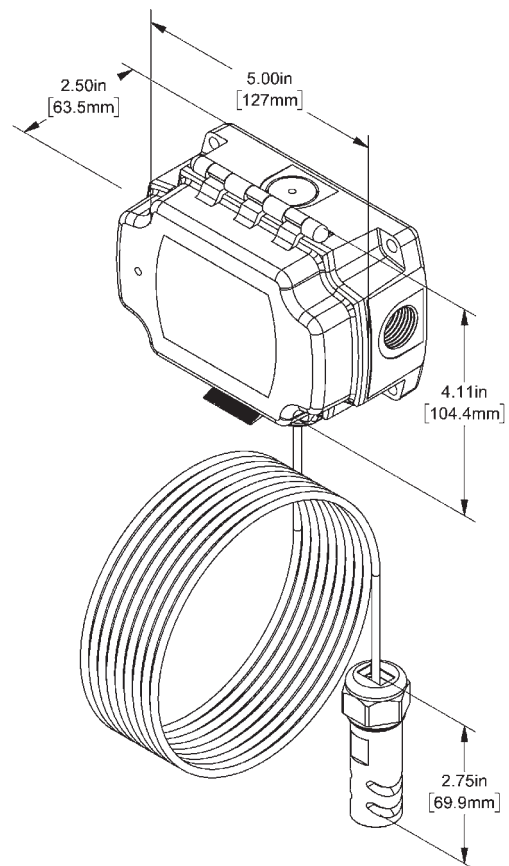
UV-resistant, UL94 V-0 polycarbonate cover and nylon base

### ENVIRONMENTAL OPERATING RANGE:

Temperature: -40 to 70°C

Humidity: 0 to 95%RH, non-condensing

Fully Temperature Compensated



## ORDERING

### Temperature and Humidity Combination

PART NUMBER:	DESCRIPTION:	PRICE:
BA/THP[40 TO 120F]-H220-12'	Pendant Temperature and Humidity Sensor, Temperature Output: 4 to 20mA over 4.5 to 49°C Range Humidity Output: 4 to 20mA over 4.5 to 49°C Range	€ 1241.28

# PRESSURE



# EZ PRESSURE SENSOR

## Standard and Low Ranges

- 10 pressure ranges & 5 output options — all field selectable
- Standard or low range units
- About 1/3rd the size of field mount pressure sensors to save panel space
- DIN rail or surface mounting

Measuring building pressure, air velocities and volumes doesn't get any easier than with the BAPI EZ Pressure Sensor. The revolutionary mounting system allows for DIN rail or surface mounting, and the three output options and 10 pressure ranges are field selectable by simply turning the rotary switch and pressing the "Next" button.

Besides being easy to set up and install, it is also accurate, rugged and economical. The heart of the unit is a micro-machined silicon pressure sensor with excellent accuracy, repeatability and stability. The unit also features short circuit proof outputs and reverse polarity protected inputs to perform under real world conditions.

ANOTHER ORIGINAL



## SPECIFICATIONS

### POWER:

7 to 40 VDC (4 to 20 mA output)  
7 to 40 VDC or 6 to 28 VAC (0 to 5 or 1 to 5 VDC output)  
12 to 40 VDC or 9 to 28 VAC (0 to 10 or 2 to 10 VDC output)

### POWER CONSUMPTION:

20 mA max, DC only at 4 to 20 mA output  
4.9 mA max DC at 0 to 5 or 0 to 10 VDC output  
0.12 VA max AC at 0 to 5 or 0 to 10 VDC output

### LOAD RESISTANCE:

4 to 20 mA output 850Ω maximum @ 24 VDC  
0 to 5, 1 to 5, 0 to 10 or 2 to 10 VDC output 6Ω minimum

### STABILITY:

±0.25% F.S. per year

### ENVIRONMENTAL OPERATING RANGE:

Temperature: -10 to 60°C

### STORAGE TEMPERATURE:

-40 to 95°C

### OVERPRESSURE:

Low Range:  
Proof: 3.6 PSI, Burst: 10.82 PSI  
Standard Range:  
Proof: 7.21 PSI, Burst: 10.82 PSI

### WIRING:

Removable terminal block (14 to 24 AWG)  
2 wires (4 to 20mA Current loop)  
3 wires (AC or DC powered, Voltage out)

### HUMIDITY:

0 to 95% RH, non-condensing

### MOUNTING:

DIN Rail or Surface Mount

### SYSTEM ACCURACY: ±0.25% FS at 22°C

Low Range: ±1.24 Pa  
Standard Range: ±6.22 Pa

### PORT CONNECTION:

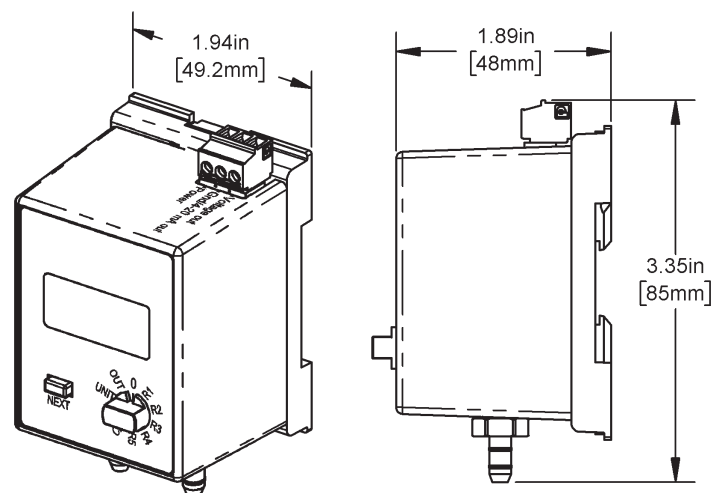
6mm tubing (3 to 4mm I.D.)

### COMPENSATED TEMPERATURE RANGE:

0 to 50°C

### ENCLOSURE MATERIAL:

ABS Plastic, UL94 V-0



PRESSURE

## ORDERING

PART NUMBER:	DESCRIPTION:	PRICE:
ZPS-LR-EZ-ST-PA	Low Range, -250 to 250 Pa with Static Pressure Tube, Display, Field Selectable Ranges and Outputs	€ 310.32
ZPS-SR-EZ-ST-PA	Standard Range, -1,250 to 1,250 Pa with Static Pressure Tube, Display, Field Selectable Ranges and Outputs	€ 310.32

# ZPM BAPI-BOX PRESSURE SENSOR

## Differential Air Pressure Sensor

- 10 pressure ranges & 5 output options
- Rugged IP66-rated enclosure
- Ranges and outputs can be set without power
- Line of sight troubleshooting with cover display and status LEDs
- Non-flow-through sensor so there's no cross contamination of air

BAPI's Zone Pressure Multi-Sensor is the most flexible pressure sensor on the market. Output, range, units, directionality, and response time are quickly set in the field without power.

The optional display aids in troubleshooting by showing the actual pressure regardless of the selected range. The display and status LEDs provide line-of-sight troubleshooting without accessing the BAS. NIST certificate included with each unit at no extra charge.

ANOTHER ORIGINAL



## SPECIFICATIONS

### POWER:

7 to 40 VDC (4 to 20 mA output)  
7 to 40 VDC or 18 to 32 VAC (0 to 5 or 1 to 5 V output)  
13 to 40 VDC or 18 to 32 VAC (0 to 10 or 2 to 10 V output)

### POWER CONSUMPTION:

20 mA max, DC only at 4 to 20 mA output  
5.2 mA max DC at 0 to 5 VDC or 0 to 10 VDC output  
0.12 VA max AC at 0 to 5 VDC or 0 to 10 VDC output

### LOAD RESISTANCE:

4 to 20 mA output 850Ω maximum @ 24 VDC  
0 to 5 V or 0 to 10 V output 6K to 10KΩ minimum

### STABILITY:

Precision Accuracy: ±0.25% FS per year  
Regular Accuracy: ±1% FS per year

### ENVIRONMENTAL OPERATING RANGE:

Temperature: -20 to 60°C  
Humidity: 0 to 95% RH, non-condensing

### OVERPRESSURE:

Low Range: Proof: 67kPa  
Standard Range: Proof: 74kPa  
High Range: Proof: 87kPa

### PORT SIZE:

6mm tubing (3 to 4mm I.D.)

### ENCLOSURE MATERIAL:

UV-resistant polycarbonate, UL94 V-0

### PRECISION ACCURACY: (±0.25% FS at 22°C)

Low Range Unit: ±1.24 Pa  
Standard Range Unit: ±6.22 Pa  
High Range Unit: ±18.66 Pa

### PRESSURE RANGES:

Low: 10 ranges from -250 to 250 Pa  
Standard: 10 ranges from -1,250 to 1,250 Pa  
High: 5 ranges from 0 to 7,400 Pa

### WIRING:

2 wires (4 to 20mA Current loop, 3 wires (AC or DC powered, Voltage out)

### STANDARD ACCURACY: (±1% FS at 0 to 40°C)

Low Range Unit: ±4.98 Pa  
Standard Range Unit: ±24.9 Pa  
High Range Unit: ±74.65 Pa

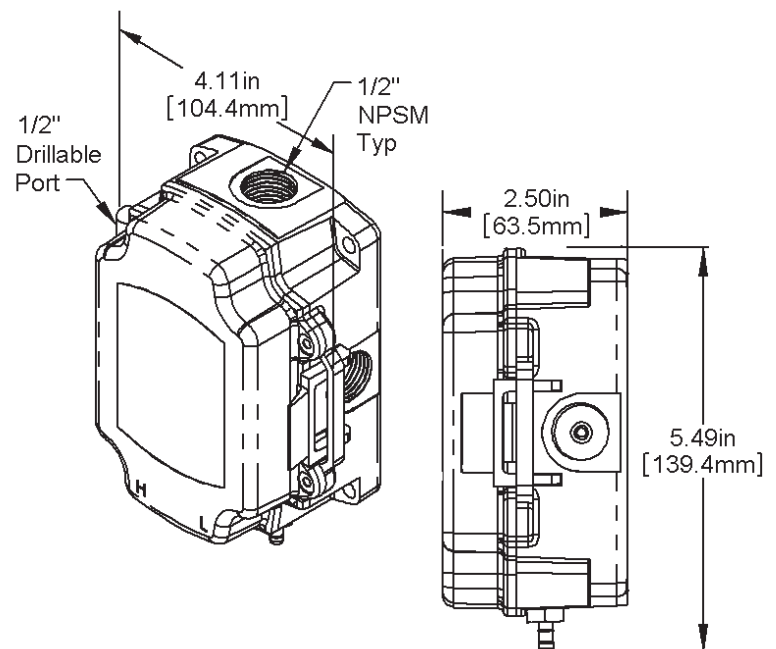
### PRESSURE RANGES:

Low: 10 ranges from -250 to 250 Pa  
Standard: 10 ranges from -1,250 to 1,250 Pa  
High: 5 ranges from 0 to 7,400 Pa

### WIRING:

2 wires (4 to 20mA Current loop, 3 wires (AC or DC powered, Voltage out)

PRESSURE



# ZPM BAPI-BOX PRESSURE SENSOR

Differential Air Pressure Sensor



## ORDERING

### STANDARD ACCURACY ( $\pm 1\%$ )

PART NUMBER:	DESCRIPTION:	PRICE:
BA/ZPMB-SR-NT-D-BB	Standard Range, No Probe Included, with Display, IP66 BAPI-Box, Field Selectable Ranges and Outputs	€ 172.41
BA/ZPMB-SR-AT-D-BB	Standard Range, Attached Static Probe, with Display, IP66 BAPI-Box, Field Selectable Ranges and Outputs	€ 185.35
BA/ZPMB-SR-NT-ND-BB	Standard Range, No Probe Included, No Display, IP66 BAPI-Box, Field Selectable Ranges and Outputs	€ 172.41
BA/ZPMB-SR-AT-ND-BB	Standard Range, Attached Static Probe, No Display, IP66 BAPI-Box, Field Selectable Ranges and Outputs	€ 185.35
BA/ZPMB-LR-NT-D-BB	Low Range, No Probe Included, with Display, IP66 BAPI-Box, Field Selectable Ranges and Outputs	€ 172.41
BA/ZPMB-LR-AT-D-BB	Low Range, Attached Static Probe, with Display, IP66 BAPI-Box, Field Selectable Ranges and Outputs	€ 185.35
BA/ZPMB-LR-NT-ND-BB	Low Range, No Probe Included, No Display, IP66 BAPI-Box, Field Selectable Ranges and Outputs	€ 172.41
BA/ZPMB-LR-AT-ND-BB	Low Range, Attached Static Probe, No Display, IP66 BAPI-Box, Field Selectable Ranges and Outputs	€ 185.35
BA/ZPMB-HR-NT-D-BB	High Range, No Probe Included, with Display, IP66 BAPI-Box, Field Selectable Ranges and Outputs	€ 172.41
BA/ZPMB-HR-AT-D-BB	High Range, Attached Static Probe, with Display, IP66 BAPI-Box, Field Selectable Ranges and Outputs	€ 185.35
BA/ZPMB-HR-NT-ND-BB	High Range, No Probe Included, No Display, IP66 BAPI-Box, Field Selectable Ranges and Outputs	€ 172.41
BA/ZPMB-HR-AT-ND-BB	High Range, Attached Static Probe, No Display, IP66 BAPI-Box, Field Selectable Ranges and Outputs	€ 185.35
BA/ZPS-ACC07	Static Pressure Probe Assembly, Aluminum 15.24 cm long	€ 24.14

### PRECISION ACCURACY ( $\pm 0.25\%$ )

PART NUMBER:	DESCRIPTION:	PRICE:
BA/ZPM-SR-NT-D-BB	Standard Range, No Probe Included, with Display, IP66 BAPI-Box, Field Selectable Ranges and Outputs	€ 366.35
BA/ZPM-SR-ST-D-BB	Standard Range, with Static Probe, with Display, IP66 BAPI-Box, Field Selectable Ranges and Outputs	€ 366.35
BA/ZPM-SR-AT-D-BB	Standard Range, Attached Static Probe, with Display, IP66 BAPI-Box, Field Selectable Ranges and Outputs	€ 366.35
BA/ZPM-SR-NT-ND-BB	Standard Range, No Probe Included, No Display, IP66 BAPI-Box, Field Selectable Ranges and Outputs	€ 366.35
BA/ZPM-SR-ST-ND-BB	Standard Range, with Static Probe, No Display, IP66 BAPI-Box, Field Selectable Ranges and Outputs	€ 366.35
BA/ZPM-SR-AT-ND-BB	Standard Range, Attached Static Probe, No Display, IP66 BAPI-Box, Field Selectable Ranges and Outputs	€ 366.35
BA/ZPM-LR-NT-D-BB	Low Range, No Probe Included, with Display, IP66 BAPI-Box, Field Selectable Ranges and Outputs	€ 366.35
BA/ZPM-LR-ST-D-BB	Low Range, with Static Probe, with Display, IP66 BAPI-Box, Field Selectable Ranges and Outputs	€ 366.35
BA/ZPM-LR-AT-D-BB	Low Range, Attached Static Probe, with Display, IP66 BAPI-Box, Field Selectable Ranges and Outputs	€ 366.35
BA/ZPM-LR-NT-ND-BB	Low Range, No Probe Included, No Display, IP66 BAPI-Box, Field Selectable Ranges and Outputs	€ 366.35
BA/ZPM-LR-ST-ND-BB	Low Range, with Static Probe, No Display, IP66 BAPI-Box, Field Selectable Ranges and Outputs	€ 366.35
BA/ZPM-LR-AT-ND-BB	Low Range, Attached Static Probe, No Display, IP66 BAPI-Box, Field Selectable Ranges and Outputs	€ 366.35
BA/ZPM-HR-NT-D-BB	High Range, No Probe Included, with Display, IP66 BAPI-Box, Field Selectable Ranges and Outputs	€ 366.35
BA/ZPM-HR-ST-D-BB	High Range, with Static Probe, with Display, IP66 BAPI-Box, Field Selectable Ranges and Outputs	€ 366.35
BA/ZPM-HR-AT-D-BB	High Range, Attached Static Probe, with Display, IP66 BAPI-Box, Field Selectable Ranges and Outputs	€ 366.35
BA/ZPM-HR-NT-ND-BB	High Range, No Probe Included, No Display, IP66 BAPI-Box, Field Selectable Ranges and Outputs	€ 366.35
BA/ZPM-HR-ST-ND-BB	High Range, with Static Probe, No Display, IP66 BAPI-Box, Field Selectable Ranges and Outputs	€ 366.35
BA/ZPM-HR-AT-ND-BB	High Range, Attached Static Probe, No Display, IP66 BAPI-Box, Field Selectable Ranges and Outputs	€ 366.35

# ZONE PRESSURE MULTI SENSOR (ZPM)

Standard, Low and High Ranges

- 10 pressure ranges & 5 output options — all field selectable
- Standard, low and high range units
- Ranges and outputs can be set without power
- Optional display shows pressure of entire operation

BAPI's Zone Pressure Multi-Sensor is the most flexible pressure sensor on the market. Output, range, units, direction, and response time are quickly set in the field without powering the unit.

The optional LCD helps with troubleshooting because it displays the actual differential pressure over the entire operational range regardless of which individual pressure range is selected for output to the system controller. Three LEDs on the face of the unit indicate the pressure status.

ANOTHER ORIGINAL



5 YEAR WARRANTY

## SPECIFICATIONS

### POWER:

7 to 40 VDC (4 to 20 mA output)  
7 to 40 VDC or 18 to 32 VAC (0 to 5 or 1 to 5 V output)  
13 to 40 VDC or 18 to 32 VAC (0 to 10 or 2 to 10 V output)

### POWER CONSUMPTION:

20 mA max, DC only at 4 to 20 mA output  
4.9 mA max DC at 0 to 5 VDC or 0 to 10 VDC output  
0.12 VA max AC at 0 to 5 VDC or 0 to 10 VDC output

### LOAD RESISTANCE:

4 to 20 mA Output 850 Ω maximum @ 24 VDC, 0 to 5 V or 0 to 10 V output 6K to 10KΩ minimum

### ENVIRONMENTAL OPERATING RANGE:

Temperature: -20 to 60°C

### STORAGE TEMPERATURE:

-40 to 95°C

### OVERPRESSURE:

Proof: 75kPa, Burst: 128kPa

### HUMIDITY:

0 to 95% RH, non-condensing

### PORT SIZE:

6mm tubing (3 to 4mm I.D.)

### WIRING:

2 wires (4 to 20mA Current loop), 3 wires (AC or DC powered, Voltage out)

### ENCLOSURE MATERIAL:

UV-resistant polycarbonate UL94, V-0

### ACCURACY FOR STANDARD PRESSURE RANGES AT 22°C:

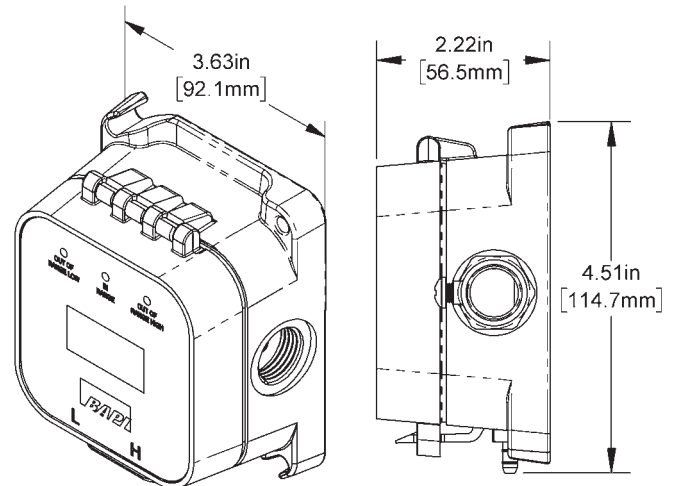
±0.25% of range

### ACCURACY FOR LOW PRESSURE RANGES AT 22°C:

±0.5% of range for the three lowest unidirectional and bidirectional ranges  
±0.25% of range all other ranges

### ACCURACY FOR HIGH PRESSURE RANGES AT 22°C:

±0.25% on all ranges



## ORDERING

PART NUMBER:	DESCRIPTION:	PRICE:
BA/ZPM-LR-ST-D	Low Range, -250 to 250 Pa with Static Pressure Tube, Display, IP44, Field Selectable Ranges and Outputs	€ 310.32
BA/ZPM-LR-AT-D	Low Range, -250 to 250 Pa with Attached Static Pressure Tube, Display, IP44, Field Selectable Ranges and Outputs	€ 310.32
BA/ZPM-SR-ST-D	Standard Range, -1,250 to 1,250 Pa with Static Pressure Tube, Display, IP44, Field Selectable Ranges and Outputs	€ 310.32
BA/ZPM-SR-AT-D	Standard Range, -1,250 to 1,250 Pa with Attached Static Pressure Tube, Display, IP44, Field Selectable Ranges & Outputs	€ 310.32
BA/ZPM-HR-ST-D	High Range, 0 to 7,400 Pa with Static Pressure Tube, Display, IP44, Field Selectable Ranges and Outputs	€ 310.32
BA/ZPM-HR-AT-D	High Range, 0 to 7,400 Pa with Attached Static Pressure Tube, Display, IP44, Field Selectable Ranges and Outputs	€ 310.32
BA/ZPM-LR-ST-ND	Low Range, -250 to 250 Pa with Static Pressure Tube, No Display, IP44, Field Selectable Ranges and Outputs	€ 310.32
BA/ZPM-SR-ST-ND	Standard Range, -1,250 to 1,250 Pa with Static Pressure Tube, No Display, IP44, Field Selectable Ranges and Outputs	€ 310.32
BA/ZPM-HR-ST-ND	High Range, 0 to 7,400 Pa with Static Pressure Tube, No Display, IP44, Field Selectable Ranges and Outputs	€ 310.32

# ADJUSTABLE PRESSURE SWITCH

## Pressure Switch

- Field adjustable
- Designed for monitoring overpressure, vacuum and differential pressure
- Can monitor other non-combustible or non-aggressive gases
- Tubing and two total probes included

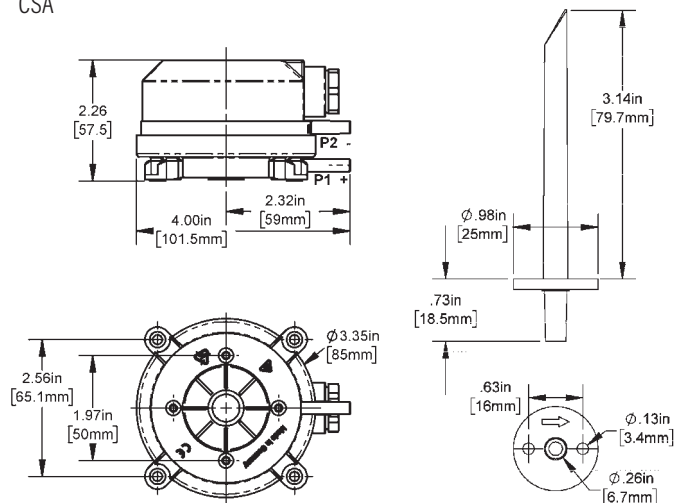
The Adjustable Pressure Switch is designed for monitoring overpressure, vacuum and differential pressure of air or other non-combustible, non-aggressive gases. A field-adjustable dial allows you to select any trip value within each pressure range. Tubing and two total probes included.



## SPECIFICATIONS

<b>BURST PRESSURE:</b>	10kPa for all pressure ranges
<b>MEDIUM:</b>	Air, non-combustible and non-aggressive gases
<b>ENVIRONMENTAL OPERATING RANGE:</b>	Temperature: -20 to 85°C
<b>STORAGE TEMPERATURE:</b>	-40 to 85°C
<b>ACCURACY:</b>	Deviation: $\leq \pm 15\%$ , min. $\pm 10$ Pa • Drift: $\leq \pm 15\%$
<b>DIAPHRAGM MATERIAL:</b>	Silicone, tempered at 200°C, free of gas emissions.
<b>PRESSURE CONNECTIONS:</b>	2 plastic pipe connection pieces, external dia. 6mm Marked "+" to higher pressure, marked "-" to lower pressure
<b>BODY AND COVER MATERIAL:</b>	UV-resistant plastic
<b>MECHANICAL WORKING LIFE:</b>	Over 1,000,000 switching operations.
<b>ELECTRICAL RATING:</b>	0.4A Inductive, 250 VAC • 1.5A Resistive, 250 VAC 0.8A Inductive, 125 VAC • 3.0A Resistive, 125 VAC 0.4A, 30VDC • 0.1A, 24 VDC

<b>ELECTRICAL CONNECTIONS</b>	1/4" Spade Plug (AMP flat plug), 6.3 x 0.8mm in accordance with DIN 46244 or push-on screw terminals included.
<b>PROTECTION CATEGORY:</b>	IP54 or IP65 with cover (protection against dust and splashing water)
<b>AGENCY:</b>	Each depending on technical specification Low Voltage Directive 2006/95/EC RoHS Directive 2011/65/EC ANSI UL508 CSA



## ORDERING

PART NUMBER:	DESCRIPTION:	PRICE:
BA/APSW1-EU	Adjustable Pressure Switch 20 to 300 Pa, IP54 rated	€ 21.55
BA/APSW2-EU	Adjustable Pressure Switch 50 to 500 Pa, IP54 rated	€ 21.55
BA/APSW3-EU	Adjustable Pressure Switch 200 to 1,000 Pa, IP54 rated	€ 21.55
BA/APSW1-65-EU	Adjustable Pressure Switch 20 to 300 Pa, IP65 rated	€ 32.35
BA/APSW2-65-EU	Adjustable Pressure Switch 50 to 500 Pa, IP65 rated	€ 32.35
BA/APSW3-65-EU	Adjustable Pressure Switch 200 to 1,000 Pa, IP65 rated	€ 32.35
BA/APSW-ACC	2 Total Pressure Probes and 2 Meters of Pressure Tubing	€ 3.00

**NOTE:** Grey shaded items follow the Buy and Resale Multiplier.

# ZONE PRESSURE PICKUP PORTS

## Pressure Ports

- Economical and easy to install
- Includes 80 micron filter
- Accommodates 3 to 4mm I.D. tubing
- Available for room, wall or ceiling tile

Room pressure pickup ports come as a BAPI-Stat “Quantum” enclosure. A foam gasket seals the plate or enclosure to the wall.

BAPI also offers a Ceiling Mount Square Cover that fits a standard 19mm thick suspended ceiling tile, and a Low Profile Port that is ideal for locations where aesthetics are as important as the pressure measurement. The only visible portion is a flush 22mm dot on the wall.



## SPECIFICATIONS

### ENVIRONMENTAL OPERATING RANGE:

#### BAPI-Stat “Quantum” and Ceiling Plates:

Temperature: 0 to 50°C

Humidity: 0% to 95% RH, non-condensing

#### Low Profile Port:

Temperature: -40 to 85°C

Humidity: 0% to 100% RH, non-condensing

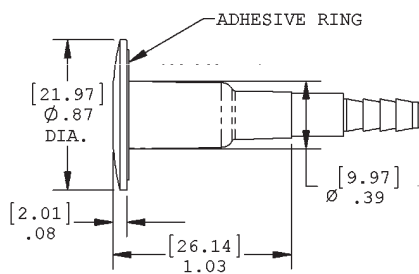
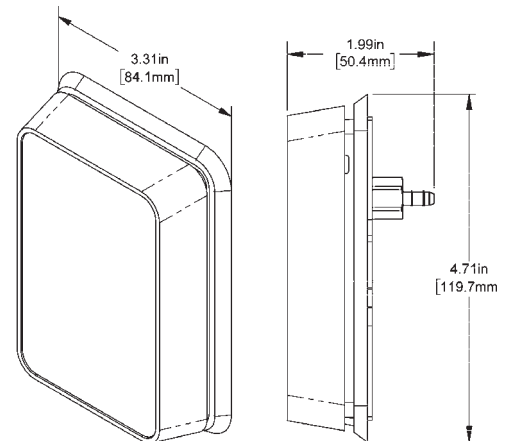
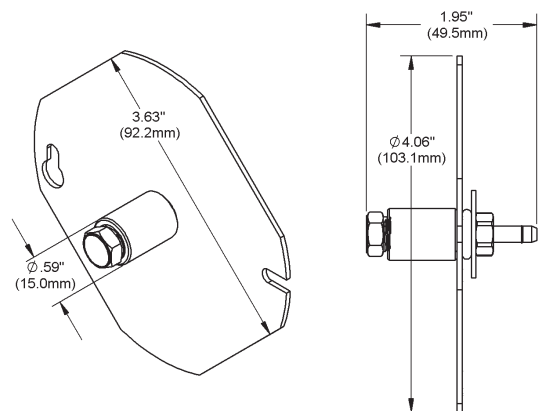
### MATERIAL:

#### Ceiling Plates:

Stainless Steel

#### BAPI-Stat “Quantum” and Low Profile Port:

ABS Plastic, UL94 V-0



PRESSURE

## ORDERING

### BAPI-Stat Quantum with Static Pickup

PART NUMBER:	DESCRIPTION:	PRICE:
ZPS-ACC04-60	BAPI-Stat Quantum with Static Pickup	€12.95

### Ceiling Mount Square Cover with Static Pickup

PART NUMBER:	DESCRIPTION:	PRICE:
ZPS-ACC05	Ceiling Mount Square Cover with Static Pickup	€12.95

### Low Profile Pickup Port

PART NUMBER:	DESCRIPTION:	PRICE:
ZPS-ACC20	Low Profile Pickup Port	€25.85

# OUTSIDE AIR PRESSURE PICKUP PORT

## Pressure Ports

ANOTHER ORIGINAL

- Rooftop, wall and vertical mount
- Helps stabilize readings by reducing fluctuations from wind gusts
- Rugged UV-resistant and flame retardant enclosure

BAPI's Outside Air Pressure Pickup Port is an easy, economical and attractive way of measuring outdoor static pressure. The pickup port also helps stabilize readings because it significantly reduces the pressure fluctuations caused by wind gusts.

The unit is also very rugged with a UV-resistant and flame-retardant housing to perform and last under harsh conditions.



5 YEAR WARRANTY

## SPECIFICATIONS

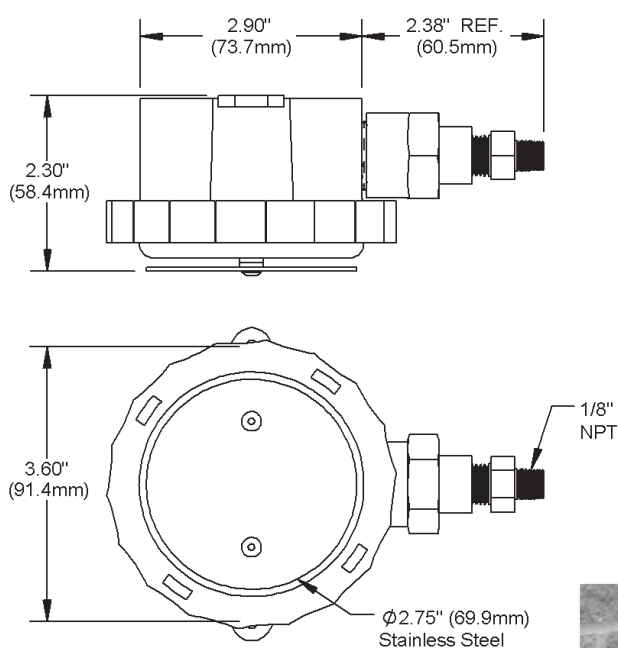
### ENVIRONMENTAL OPERATING RANGE:

Temperature: -40 to 100°C

Humidity: 0% to 100% RH, condensing

### ENCLOSURE MATERIAL & RATING:

UV-resistant, UL94 V-0 plastic



Rooftop mount or wall mount  
(Conduit and tubing not included)



PRESSURE

## ORDERING

PART NUMBER:	DESCRIPTION:	PRICE:
ZPS-ACC10	Zone Pressure Pickup Port: Outside Air Pressure Pickup Port	€38.80

# ZONE PRESSURE PROBES & ACCESSORIES

## Pressure Ports

The Static Pressure Probe and Total Pressure Probe Assemblies connect to the BAPI Zone Pressure Sensor to provide duct static pressure or duct air velocity. The angled total probe faces into the airflow to sense the moving air's total pressure while the static probe senses static pressure.

Both probe assemblies include a probe and rubber tubing with built in surge damper to smooth out variations in airflow for a more stable reading. The Static Pressure Probe is available individually while the Pitot Pressure Probe Assembly includes the total probe and the static probe assemblies.



**Static Pressure Probe**  
ZPS-ACC07



**Aluminum Static Probe Only (150mm)**  
ZPS-ACC08



**Rubber Tubing with Surge Damper**  
ZPS-ACC09



**Pitot Pressure Probe Assembly (89mm)**  
ZPS-ACC11



**Pitot Pressure Probe Assembly (150mm)**  
ZPS-ACC12



**Total Probe Only (89mm)**  
ZPS-ACC13



**Total Probe Only (150mm)**  
ZPS-ACC14



**Surge Damper**  
ZPS-ACC15



**Static Probe Only (12mm)**  
ZPS-ACC17



**2 Static Pressure Probe Assemblies**  
ZPS-ACC18



**Stainless Steel Static Probe Only (150mm)**  
ZPS-ACC21



**Static Probe Only, Zero Length**  
ZPS-ACC22

## ORDERING

PART NUMBER:	DESCRIPTION:	PRICE:
ZPS-ACC07	Static Pressure Probe Assembly, 150mm long	€ 24.15
ZPS-ACC08	Aluminum static Probe Only (150mm) w/ Circular Foam	€ 11.20
ZPS-ACC09	Rubber Hoses w/ Surge Damper (includes a bulk head fitting)	€ 12.95
ZPS-ACC11	Pitot Pressure Probe Assembly, 89mm long (includes the Static & Total Probe Assemblies)	€ 62.05
ZPS-ACC12	Pitot Pressure Probe Assembly, 150mm long (includes the Static & Total Probe Assemblies)	€ 62.05
ZPS-ACC13	Total Probe Only (89mm) with Circular Foam (doesn't include hoses & damper)	€ 12.05
ZPS-ACC14	Total Probe Only (150mm) with Circular Foam (doesn't include hoses & damper)	€ 12.05
ZPS-ACC15	Surge Damper Only, 5 micron	€ 6.90
ZPS-ACC17	Static Probe Only (12mm) with Circular Foam (doesn't include hoses & damper)	€ 9.05
ZPS-ACC18	2 Static Pressure Probe Assemblies, 150mm Long	€ 48.25
ZPS-ACC21	Stainless Steel Static Probe Only (150mm) with Circular Foam and Mounting Screws (doesn't include hoses & damper)	€ 34.50
ZPS-ACC22	Static Probe Only, Zero Length, with Circular Foam and Mounting Screws	€ 6.45

## SILICONE RUBBER TUBING

Made from a material that's used for green house glazing, this synthetic silicone rubber tubing maintains its flexibility and resiliency over time. The internal diameter is 3.2mm and the external diameter is 6.4mm with a bend radius of 6.4mm. The hardness is 50 durometer and the tensile strength is 1100 psi. The application temperature is -70 to 200°C.



## ORDERING

PART NUMBER:	DESCRIPTION:	PRICE:
ZPS-SIL-250-125-50	Silicone Rubber Tubing for Pressure Sensing, 15m long	€ 63.35

**NOTE:** Grey shaded items follow the Buy and Resale Multiplier.

# AIR QUALITY



# BAPI-STAT "QUANTUM PRIME" VOC ROOM SENSOR

## Air Quality Sensor

ANOTHER ORIGINAL

- VOC plus temperature and humidity measurement
- Optional display, temperature setpoint adjustment and override
- Output is correlated to a CO<sub>2</sub> value of 0 to 2,000 ppm
- Traffic light status indication

Humans respire Volatile Organic Compounds (VOCs) as well as CO<sub>2</sub>. The BAPI sensor measures these VOCs and indicates when a space is occupied just as well as a CO<sub>2</sub> sensor. The advantage of the VOC sensor is that it measures air contaminants from other sources besides respiration, such as building materials, cleaners, perfumes, furniture and carpet off-gassing. So using this sensor for Demand Controlled Ventilation is a way of achieving true indoor air quality, rather than CO<sub>2</sub> dilution.

A further benefit is that it requires no additional work on your part. That's because the sensor converts the VOC reading to a CO<sub>2</sub> equivalent level. This lets you use ASHRAE's CO<sub>2</sub>-based VRP schedule to ventilate.



5 YEAR WARRANTY

## SPECIFICATIONS

### POWER:

15 to 24 VAC | 15 to 40 VDC  
4.8 VA @ 24 VAC | 40 mA @ 24 VDC

### SENSING ELEMENTS:

Humidity: Capacitive Polymer, ±2% RH accuracy  
VOCs: Micro-machined metal oxide

### MOUNTING:

Universal backplate (screws provided)

### VOC DETECTION RANGE:

0 to 2,000 CO<sub>2</sub> ppm equivalent

### START-UP TIME:

15 minutes

### RESPONSE TIME:

Less than 2 minutes

### ENCLOSURE MATERIAL & RATING:

ABS Plastic, UL94 V-0

### TEMP SENSING ELEMENT & ACCURACY:

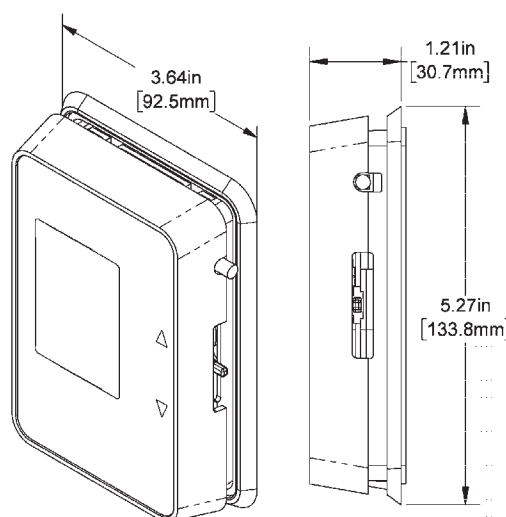
10K-2 Thermistor: ±0.2°C (0 to 70°C)  
10K-3 Thermistor: ±0.2°C (0 to 70°C)  
10K-4 Thermistor: ±0.2°C (0 to 70°C)  
1K RTD: ±0.12% at 0°C (385 curve)

### LED VOC LEVEL INDICATOR:

Good, Green < 1,000 ppm  
Fair, Yellow = 1,000 to 1,500 ppm  
Poor, Red > 1,500 ppm

### ENVIRONMENTAL OPERATING RANGE:

Temperature: 0 to 50°C  
Humidity: 0 to 95% RH, non-condensing



AIR QUALITY

## ORDERING

PART NUMBER:	DESCRIPTION:	PRICE:
BA/AQP60C-D-B-B-1-C10-J	Display/10K-2 Therm./Temp Setpoint: 10 to 32°C/%RH: 0 to 100%/VOC: 0 to 2,000ppm CO <sub>2</sub> Equiv./Override	€ 533.60
BA/AQP60C-D-C-B-1-C10-J	Display/10K-3 Therm./Temp Setpoint: 10 to 32°C/%RH: 0 to 100%/VOC: 0 to 2,000ppm CO <sub>2</sub> Equiv./Override	€ 533.60
BA/AQP60C-D-V-B-1-C10-J	Display/10K-4 Therm./Temp Setpoint: 10 to 32°C/%RH: 0 to 100%/VOC: 0 to 2,000ppm CO <sub>2</sub> Equiv./Override	€ 533.60
BA/AQP60C-D-A-B-1-C10-J	Display/1K Plat. RTD/Temp Setpoint: 10 to 32°C/%RH: 0 to 100%/VOC: 0 to 2,000ppm CO <sub>2</sub> Equiv./Override	€ 539.60
BA/AQP60X-D-B-B-X-XX-X	No Display/10K-2 Thermistor/%RH: 0 to 100%/VOC: 0 to 2,000ppm CO <sub>2</sub> Equiv./No Setpoint & No Override	€ 493.50
BA/AQP60X-D-C-B-X-XX-X	No Display/10K-3 Thermistor/%RH: 0 to 100%/VOC: 0 to 2,000ppm CO <sub>2</sub> Equiv./No Setpoint & No Override	€ 493.50
BA/AQP60X-D-V-B-X-XX-X	No Display/10K-4 Thermistor/%RH: 0 to 100%/VOC: 0 to 2,000ppm CO <sub>2</sub> Equiv./No Setpoint & No Override	€ 493.50
BA/AQP60X-D-A-B-X-XX-X	No Display/1K Platinum RTD/%RH: 0 to 100%/VOC: 0 to 2,000ppm CO <sub>2</sub> Equiv./No Setpoint & No Override	€ 499.50

**NOTE:** Temperature Setpoint, %RH Measurement and VOC Measurement all have 0 to 10V Output

# VOC DUCT & HARSH ENVIRONMENT SENSOR

## Air Quality Sensor

- Output is correlated to a CO<sub>2</sub> value of 0 to 2,000 ppm or a total VOC value of 0 to 2,500 ppb
- Ventilated BAPI-box for harsh environments and BAPI-Box with aspiration tube for ducts

Humans respire Volatile Organic Compounds (VOCs) as well as CO<sub>2</sub>. The BAPI sensor measures these VOCs and indicates when a space is occupied just as well as a CO<sub>2</sub> sensor. The advantage of the VOC sensor is that it measures air contaminants from other sources besides respiration, such as building materials, cleaners, perfumes, furniture and carpet off-gassing.

A further benefit is that it requires no additional work on your part. That's because the sensor converts the VOC reading to a CO<sub>2</sub> equivalent level. This lets you use ASHRAE's CO<sub>2</sub>-based VRP schedule to ventilate. The unit is also available with total VOC output (TVOC) of 0 to 2,500 ppb. This is often needed to meet 3rd party building certifications that require separate CO<sub>2</sub> and VOC readings.



(Cover LEDs not available for Total VOC units.)



## SPECIFICATIONS

### POWER: (Half-wave rectified)

12 to 24 VDC, 35 mA max  
18 to 24 VAC, 4 VA max

### VOLTAGE OUTPUT:

0 to 10 VDC > 10KΩ impedance

### VOC SENSING ELEMENT:

Micro-machined metal oxide

### CO<sub>2</sub>e UNIT DETECTION RANGE:

0 to 2,000 ppm CO<sub>2</sub> Equivalent

### TVOC UNIT DETECTION RANGE:

0 to 2,500 ppb

### START-UP TIME:

15 minutes

### RESPONSE TIME:

Less than 60 sec (after start-up time)

### ENVIRONMENTAL OPERATING RANGE:

Temperature: 0 to 50°C  
Humidity: 0 to 95% RH, non-condensing

### WIRING:

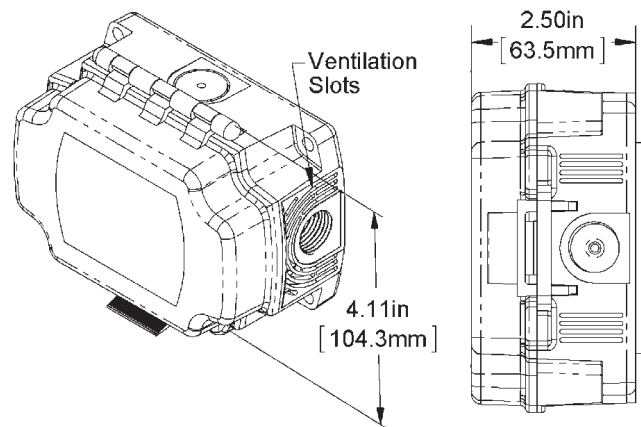
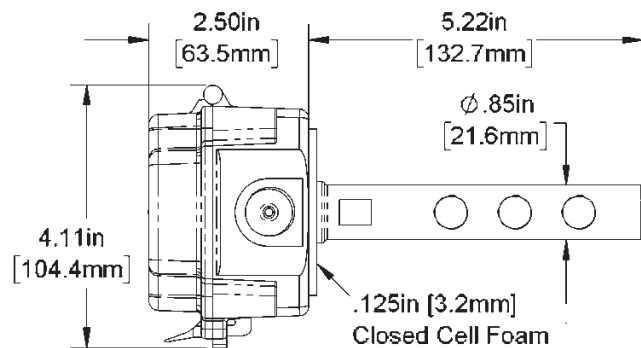
3 wires, 16 to 22 AWG

### ENCLOSURE MATERIAL & RATING:

Polycarbonate, UL94 V-0, Duct Unit IP66 rated-enclosure

### COVER LEDs:

Good, Green < 1,000 ppm  
Fair, Yellow = 1,000 to 1,500 ppm  
Poor, Red > 1,500 ppm



AIR QUALITY

## ORDERING

PART NUMBER:	DESCRIPTION:	PRICE:
BA/VOC10-D-BB	Duct VOC Sensor/0 to 10V Output/0 to 2,000ppm CO <sub>2</sub> Equivalent Range/IP66 BAPI-Box	€ 419.80
BA/VOC10-V-BB	Harsh Environment VOC Sensor/0 to 2,000ppm CO <sub>2</sub> Equivalent Range/Ventilated BAPI-Box	€ 478.40
BA/TVOC10-D-BB-BNK	Duct TVOC Sensor with Aspiration Tube, 0-10 V, 0 to 2500ppb, IP66 BAPI-Box	€ 419.80
BA/TVOC10-V-BB-BNK	Harsh Enviroment TVOC Sensor with Ventilated BAPI-Box, 0-10 V, 0 to 2,500 ppb	€ 478.40

# BAPI-STAT "QUANTUM" VOC/TVOC ROOM SENSOR

## Air Quality Sensor

ANOTHER ORIGINAL

- Field-Selectable 0 to 5 or 0 to 10 VDC Output
- Available with CO<sub>2</sub> Equivalent Output (CO<sub>2</sub>e) or Total VOC Output (TVOC)

The quality of the air that we breathe is essential to our health and knowing the air quality level is the first step to improving it. BAPI's VOC sensors provide that critical air quality information.

The CO<sub>2</sub> equivalent (CO<sub>2</sub>e) units combine the benefits of VOC sensors and the common application of CO<sub>2</sub> sensors into one unit. It provides a VOC reading that correlates to a typical indoor CO<sub>2</sub> level of 0 to 2,000 ppm. This allows the sensor's output to be used for ASHRAE's CO<sub>2</sub>-based VRP ventilation schedule.

The total VOC (TVOC) units provide a VOC reading that is the total concentration of all VOCs present in the space within a range of 0 to 2,500 ppb. This is often needed to meet 3rd party building certifications that require separate CO<sub>2</sub> and VOC readings.



(Cover LEDs not available for Total VOC units.)

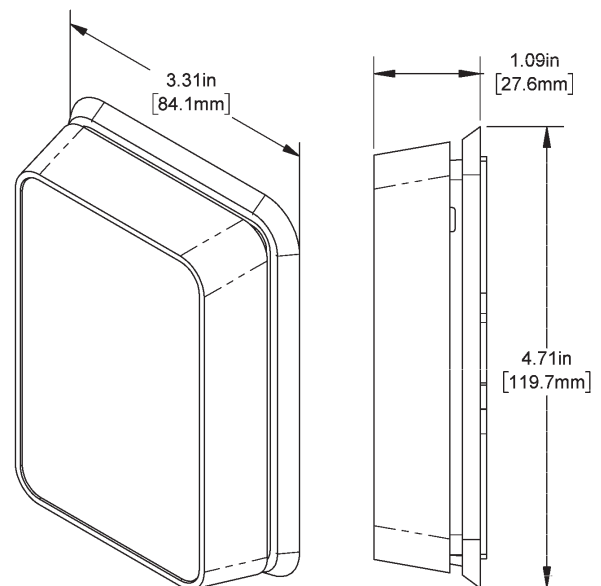


## SPECIFICATIONS

AIR QUALITY

<b>POWER: (Half-wave rectified)</b>	12 to 24 VDC, 35 mA max 18 to 24 VAC, 4 VA max
<b>CO<sub>2</sub>e UNIT DETECTION RANGE:</b>	0 to 2,000 ppm CO <sub>2</sub> Equivalent
<b>TVOC UNIT DETECTION RANGE:</b>	0 to 2,500 ppb
<b>SELECTABLE OUTPUT:</b>	0 to 5 or 0 to 10 VDC > 4KΩ impedance
<b>SENSING ELEMENT:</b>	Micro-machined metal oxide
<b>WIRING:</b>	3 wires, 16 to 22 AWG
<b>ENVIRONMENTAL OPERATING RANGE:</b>	Temperature: 0 to 50°C Humidity: 5 to 95% RH, non-condensing
<b>ENCLOSURE MATERIAL &amp; RATING:</b>	ABS Plastic, UL94 V-0
<b>START-UP TIME:</b>	15 minutes
<b>RESPONSE TIME:</b>	< 60 seconds (after start-up time)
<b>MOUNTING:</b>	Universal backplate (screws provided)

<b>LED VOC LEVEL INDICATOR: (not available in TVOC models)</b>
Good, Green < 1,000 ppm
Fair, Yellow = 1,000 to 1,500 ppm
Poor, Red > 1,500 ppm



## ORDERING

PART NUMBER:	DESCRIPTION:	PRICE:
BA/BQX60-B	VOC Sensor/0 to 10V Output/0 to 2,000ppm CO <sub>2</sub> Equivalent (CO <sub>2</sub> e) Range/LED Status Indicators	€ 366.35
BA/BQX60-T-B-BNK	TVOC Sensor/0 to 10V Output/0 to 2,500ppb VOC (TVOC) Range/No Status LEDs	€ 366.35

# BAPI-STAT "QUANTUM PRIME" CO<sub>2</sub> ROOM SENSOR

Air Quality Sensor

ANOTHER ORIGINAL

- Automatic barometric pressure and temperature compensation
- Does not require annual calibration, and suitable for 24/7 application
- Traffic light status indication

Even low quantities of CO<sub>2</sub> can have a negative effect on your health. Because of this, it is vital that you have the right sensor for your application. So when choosing your next CO<sub>2</sub> sensor, ensure that it is accurate, reliable and provides continuous self-calibration (no annual visits to re-calibrate) as this will ensure accurate measurements time after time.

BAPI's award winning CO<sub>2</sub> sensor includes continuous automatic barometric pressure compensation to work at any altitude and in any weather conditions and is suitable for 24/7 occupancy.



5 YEAR WARRANTY

## SPECIFICATIONS

### POWER

15 to 24 VAC | 15 to 40 VDC  
4.8 VA @ 24 VAC | 40 mA @ 24 VDC

### CO<sub>2</sub> & HUMIDITY SENSING ELEMENTS TYPES:

CO<sub>2</sub>: Dual Channel Non-Dispersive Infrared (NDIR)  
Humidity: Capacitive Polymer ±2% RH accuracy

### TEMPERATURE SENSING ELEMENT & ACCURACY:

10K-2 Thermistor: ±0.2°C (0 to 70°C)  
10K-3 Thermistor: ±0.2°C (0 to 70°C)  
10K-4 Thermistor: ±0.2°C (0 to 70°C)  
1K RTD: ±0.12% at 0°C (385 curve)

### ENVIRONMENTAL OPERATING RANGE:

Temperature: 0 to 50°C  
Humidity: 0 to 95% RH, non-condensing

### ENCLOSURE MATERIAL & RATING:

ABS Plastic, UL94 V-0

### CO<sub>2</sub> DETECTION RANGE:

0 to 2,000 ppm

### START UP TIME:

Less than 2 minutes

### RESPONSE TIME:

Less than 2 minutes for 90% step change typical (after start-up)

### CO<sub>2</sub> DRIFT STABILITY:

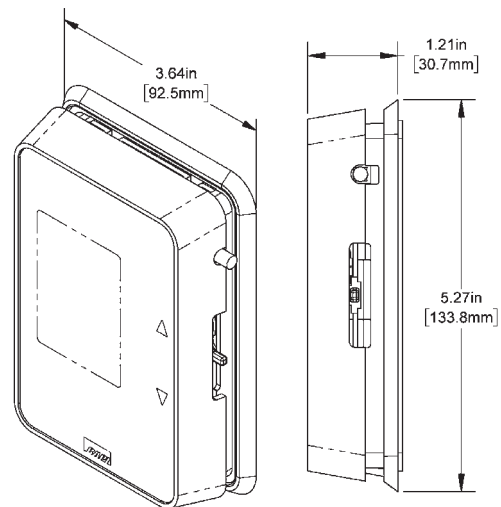
±20 ppm/year

### CO<sub>2</sub> ACCURACY @ 25°C AND SEA LEVEL:

<±50 ppm + 3% of measured value  
<±75 ppm at 600, 1,000 and 2,500 ppm

### LED CO<sub>2</sub> LEVEL INDICATOR:

Good, Green < 1,000 ppm  
Fair, Yellow = 1,000 to 1,500 ppm  
Poor, Red > 1,500 ppm



AIR QUALITY

## ORDERING

PART NUMBER:	DESCRIPTION:	PRICE:
BA/AQP60C-D-B-B-1-C10-J	Display/10K-2 Thermistor/Temp Setpoint: 10 to 32°C/%RH: 0 to 100%/Dual Channel CO <sub>2</sub> : 0 to 2,000ppm/Override	€ 533.60
BA/AQP60C-D-C-B-1-C10-J	Display/10K-3 Thermistor/Temp Setpoint: 10 to 32°C/%RH: 0 to 100%/Dual Channel CO <sub>2</sub> : 0 to 2,000ppm/Override	€ 533.60
BA/AQP60C-D-V-B-1-C10-J	Display/10K-4 Thermistor/Temp Setpoint: 10 to 32°C/%RH: 0 to 100%/Dual Channel CO <sub>2</sub> : 0 to 2,000ppm/Override	€ 533.60
BA/AQP60C-D-A-B-1-C10-J	Display/1K Platinum RTD/Temp Setpoint: 10 to 32°C/%RH: 0 to 100%/Dual Channel CO <sub>2</sub> : 0 to 2,000ppm/Override	€ 539.65
BA/AQP60X-D-B-B-X-XX-X	No Display/10K-2 Thermistor/%RH: 0 to 100%/Dual Channel CO <sub>2</sub> : 0 to 2,000ppm/No Setpoint & No Override	€ 493.95
BA/AQP60X-D-C-B-X-XX-X	No Display/10K-3 Thermistor/%RH: 0 to 100%/Dual Channel CO <sub>2</sub> : 0 to 2,000ppm/No Setpoint & No Override	€ 493.95
BA/AQP60X-D-V-B-X-XX-X	No Display/10K-4 Thermistor/%RH: 0 to 100%/Dual Channel CO <sub>2</sub> : 0 to 2,000ppm/No Setpoint & No Override	€ 493.95
BA/AQP60X-D-A-B-X-XX-X	No Display/1K Platinum RTD/%RH: 0 to 100%/Dual Channel CO <sub>2</sub> : 0 to 2,000ppm/No Setpoint & No Override	€ 500.00

NOTE: Temperature Setpoint, %RH Measurement and CO<sub>2</sub> Measurement all have 0 to 10V Output

# BAPI-STAT "QUANTUM" CO<sub>2</sub> ROOM SENSOR

## Air Quality Sensor

ANOTHER ORIGINAL

- Automatic barometric pressure and temperature compensation
- Does not require annual calibration, and suitable for 24/7 application
- Traffic light status indication

The BAPI-Stat "Quantum" CO<sub>2</sub> Sensor is an accurate and reliable way of incorporating demand controlled ventilation into a building's HVAC strategy. It measures the CO<sub>2</sub> in ranges of 0 to 2,000 ppm with a field selectable output of 0 to 5 or 0 to 10 VDC.

The unit has been optimized for continuously occupied areas and features a three-point calibration process for enhanced stability, accuracy and reliability.

Barometric pressure changes can affect the output of CO<sub>2</sub> sensors, even putting them outside of their specified accuracy. The BAPI unit has a built-in Barometric sensor that continuously compensates the output for accurate readings despite the weather or altitude.



5 YEAR WARRANTY

## SPECIFICATIONS

### POWER:

12 to 24 VDC, 240 mA  
18 to 24 VAC, 12 VA peak

### SENSING ELEMENTS:

Dual Channel Non-Dispersive Infrared (NDIR)

### FIELD SELECTABLE VOLTAGE OUTPUT:

0 to 5 or 0 to 10 VDC

### TERMINATION:

3 Terminals, 16 to 22 AWG

### ENVIRONMENTAL OPERATING RANGE:

Temperature: 0 to 50°C  
Humidity: 0 to 95% RH, non-condensing

### ENCLOSURE MATERIAL & RATING:

ABS Plastic, UL94 V-0

### CO<sub>2</sub> DETECTION RANGE:

0 to 2,000 ppm

### START UP TIME:

Less than 2 minutes

### RESPONSE TIME:

Less than 2 minutes for 90% step change typical (after start-up)

### MOUNTING:

Universal backplate (screws provided)

### CO<sub>2</sub> DRIFT STABILITY:

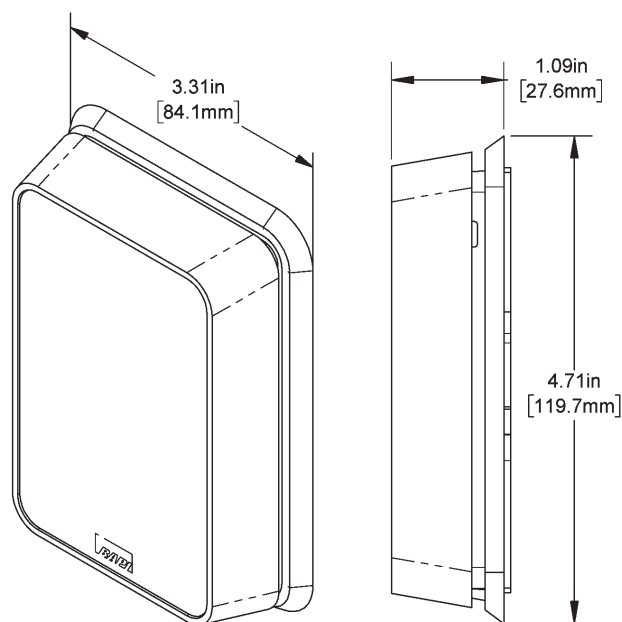
±20 ppm/year

### CO<sub>2</sub> ACCURACY @ 25°C AND SEA LEVEL:

<±(50 ppm + 3% of measured value)  
<±75 ppm at 600, 1,000 and 2,500 ppm

### LED CO<sub>2</sub> LEVEL INDICATOR:

Good, Green < 1,000 ppm  
Fair, Yellow = 1,000 to 1,500 ppm  
Poor, Red > 1,500 ppm



AIR QUALITY

## ORDERING

PART NUMBER:	DESCRIPTION:	PRICE:
BA/AQX60-D	BAPI-Stat "Quantum" Dual Channel CO <sub>2</sub> Sensor/0 to 10V Output/0 to 2,000ppm Range	€ 392.25

# CO<sub>2</sub> DUCT AND HARSH ENVIRONMENT SENSOR

## Air Quality Sensor

ANOTHER ORIGINAL

- Automatic barometric pressure and temperature compensation
- Does not require annual calibration, and suitable for 24/7 application
- Traffic light status indication
- Set Up time less than 15 mins

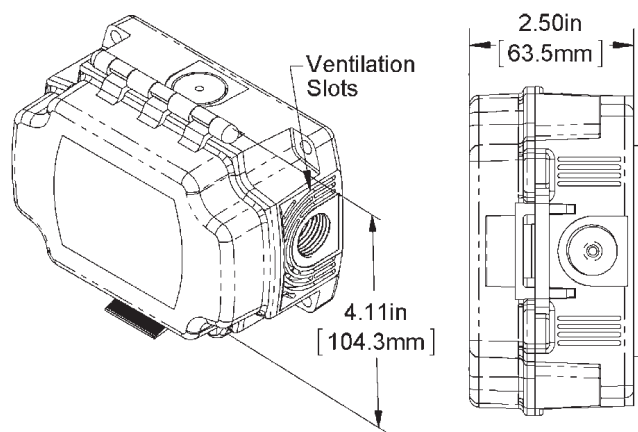
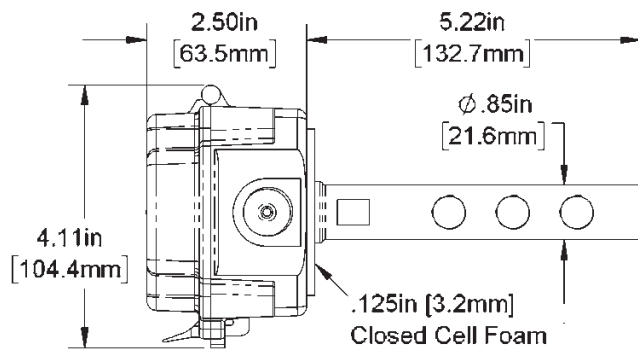
The BAPI CO<sub>2</sub> Duct Sensor is an accurate and reliable way of incorporating demand controlled ventilation. It measures CO<sub>2</sub> in ranges of 0 to 2,000 ppm with a field selectable output of 0 to 5 or 0 to 10 VDC.

The Duct unit samples duct air using an aspiration tube. The Harsh Environment unit features a ventilated BAPI-Box and is ideal for areas such as outdoor air plenums, equipment rooms, green houses and warehouses. The CO<sub>2</sub> level is indicated as "Good, Fair or Poor" by three LEDs on the front of the unit.



## SPECIFICATIONS

<b>POWER:</b>	12 to 24 VDC, 240 mA 18 to 24 VAC, 12 VA peak
<b>FIELD SELECTABLE VOLTAGE OUTPUT:</b>	0 to 5 or 0 to 10 VDC
<b>TERMINATION:</b>	3 Terminals, 16 to 22 AWG
<b>ENVIRONMENTAL OPERATING RANGE:</b>	Temperature: 0 to 50°C Humidity: 0 to 95% RH, non-condensing
<b>ENCLOSURE MATERIAL:</b>	Polycarbonate
<b>CO<sub>2</sub> DETECTION PPM RANGE:</b>	0 to 2,000 ppm
<b>START UP TIME:</b>	Less than 2 minutes
<b>RESPONSE TIME:</b>	Less than 2 minutes for 90% step change typical (after start-up)
<b>CO<sub>2</sub> DRIFT STABILITY:</b>	±20 ppm/year
<b>CO<sub>2</sub> ACCURACY @ 25°C AND SEA LEVEL:</b>	<±(50 ppm + 3% of measured value) <±75 ppm at 600, 1,000 and 2,500 ppm
<b>LED CO<sub>2</sub> LEVEL INDICATOR:</b>	Good, Green < 1,000 ppm Fair, Yellow = 1,000 to 1,500 ppm Poor, Red > 1,500 ppm



AIR QUALITY

## ORDERING

PART NUMBER:	DESCRIPTION:	PRICE:
BA/DCD10-D-BB	Duct Dual Channel CO <sub>2</sub> Sensor/0 to 10V Output/0 to 2,000ppm Range/IP66 BAPI-Box	€ 405.15
BA/DCD10-V-BB	Harsh Environment Dual Channel CO <sub>2</sub> Sensor/0 to 10V Output/0 to 2,000ppm Range/Ventilated BAPI-Box	€ 474.15

# CO DUCT & HARSH ENVIRONMENT SENSOR

## Air Quality Sensor

ANOTHER ORIGINAL

- Field replaceable electrochemical sensor with self-test
- Large display and two independent alarm contacts
- Field selectable ranges and outputs
- Certificate of calibration included

BAPI's Carbon Monoxide Sensor offers enhanced electrochemical sensing with outstanding accuracy even at low concentrations. The Duct unit samples duct air using an aspiration tube. The Harsh Environment unit features a ventilated BAPI-Box and is ideal for car parks, equipment rooms and warehouses.

The sensor has field selectable CO ranges of 0 to 100, 0 to 200, 0 to 300 and 0 to 500 ppm. It also has field selectable outputs of 0 to 5, 1 to 5, 0 to 10, 2 to 10 VDC and 3-wire 4 to 20 mA output. Two independent SPDT alarm contacts switch at field selectable CO concentrations of 25, 35, 50, 100 and 200 ppm. The field replaceable sensor element lasts approximately 7 years and is self tested daily.



5 YEAR WARRANTY

## SPECIFICATIONS

### POWER:

18 to 28 VAC, 72 VA max  
18 to 40 VDC, 180 mA max

### FIELD SELECTABLE RANGES:

0 to 100, 0 to 200, 0 to 300 & 0 to 500 ppm

### ALARM RELAYS:

2 Independent, Dry SPDT (Form C)  
2 Amps at 24 VAC/DC, Resistive  
140 VA Inrush, 48 VA Holding at 24 VAC

### FIELD WIRING TERMINALS:

Pluggable Screw Terminals, 14 to 24 AWG

### RESPONSE TIME:

<80 seconds from 10% to 90% of range

### ALARM RELAY SETPOINTS:

25, 35, 50, 100 or 200 ppm

### ALARM TIMER:

0, 1, 5 & 10 minutes

### SENSOR ELEMENT LIFE:

7 years typical

### FIELD SELECTABLE OUTPUTS:

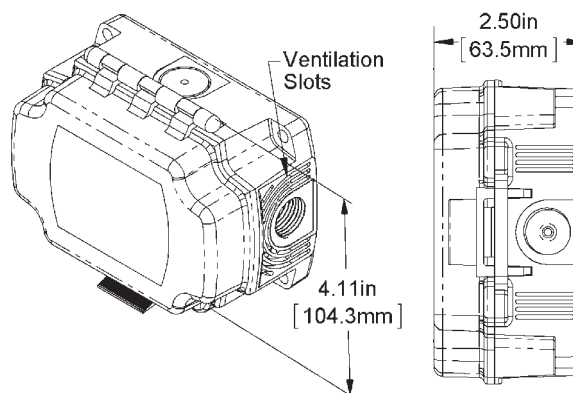
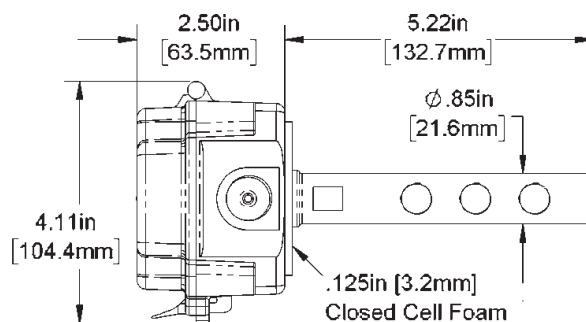
3-wire 4 to 20 mA  
0 to 5, 1 to 5, 0 to 10, 2 to 10 VDC

### ACCURACY:

<200 ppm =  $\pm 3\%$  FS, 0 to 50°C  
201 to 500 ppm =  $\pm 5\%$  FS, 10 to 50°C

### ENVIRONMENTAL OPERATING RANGE:

Temperature: -10 to 50°C  
Humidity: 5 to 95% RH, non-condensing



AIR QUALITY

## ORDERING

PART NUMBER:	DESCRIPTION:	PRICE:
BA/CO-D-BB	"Duct CO Sensor with Aspiration Tube, Field Selectable Outputs and Ranges, IP66 BAPI-Box"	€717.20
BA/CO-V-BB	Harsh Environment CO Sensor with Ventilated BAPI-Blue Box, Field Selectable Outputs and Ranges	€775.80
BA/COS	Factory Calibrated Replacement CO Module	€215.50

# CARBON MONOXIDE (CO) ROOM SENSOR

## Air Quality Sensor

- 0 to 40 ppm CO measurement range
- 30 ppm CO relay trip level with audible alarm
- Field selectable 0 to 5 V, 0 to 10 V or 4 to 20 mA output
- BAPI-Stat "Quantum" enclosure with LED status indication
- Automatic barometric pressure compensation

The BAPI-Stat "Quantum" Carbon Monoxide Sensor features a modern enclosure style with green/red status LED. It has a 0 to 40 ppm CO measurement range with a 30 ppm relay/audible alarm trip level. The relay is field selectable for normally closed or normally open, and the CO output level is field selectable for 0 to 5V, 0 to 10V or 4 to 20mA.

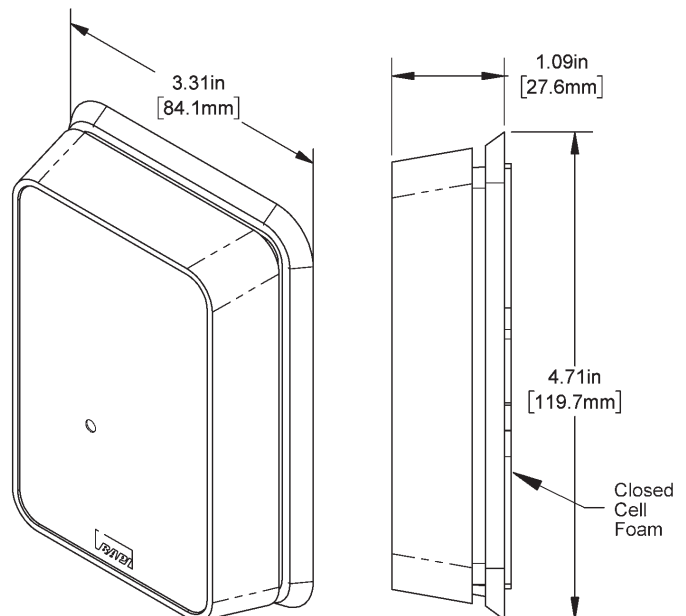
The green/red LED indicates unit status of normal, alarm, trouble/service or test. The side pushbutton places the unit into test status to verify audible alarm and LED operation. The sensing element has a typical life of 7 years.



## SPECIFICATIONS

<b>POWER SUPPLY:</b>	24 VAC/VDC ±10%, 1.0 VA max
<b>CO SENSOR TECHNOLOGY:</b>	Electrochemical
<b>RELAY OUTPUT:</b>	Form "C", 0.1 A, 30 VDC, Normally Closed (NC) Normally Open (NO) contacts
<b>CO DETECTION RANGE:</b>	0 to 40 ppm
<b>RELAY TRIP POINT:</b>	30 ppm
<b>JUMPER SELECTABLE ANALOG OUTPUT:</b>	0 to 5 VDC, 0 to 10 VDC or 4 to 20 mA
<b>CO ACCURACY:</b>	±3% of Full Scale
<b>ENVIRONMENTAL OPERATING RANGE:</b>	Temperature: 4.4 to 37.8°C Humidity: 0 to 95% RH non-condensing
<b>SENSOR LIFE:</b>	7 years typical
<b>RESPONSE TIME:</b>	>5 minutes (after start-up time)
<b>START-UP TIME:</b>	<10 minutes
<b>AUDIBLE ALARM:</b>	75 dB at 3 meters
<b>ALTIMETER:</b>	Mechanical
<b>ENCLOSURE MATERIAL &amp; RATING:</b>	ABS Plastic, UL94 V-0

<b>LED BEHAVIOR:</b>	Red/Green LED indicates the unit status of Normal, Alarm, Trouble/Service Test
<b>TERMINATION:</b>	6 Terminals, 16 to 22 AWG
<b>MOUNTING:</b>	50x100mm J-Box or drywall, screws provided



AIR QUALITY

## ORDERING

PART NUMBER:	DESCRIPTION:	PRICE:
BA/DQX60	BAPI-Stat "Quantum" Carbon Monoxide (CO), 60mm Mounting Base	€ 387.95

# DIGITAL CO AND NO<sub>2</sub> SENSOR

## Air Quality Sensor

- Several options for Temperature, Humidity, CO NO<sub>2</sub>
- Field configurable BACnet MS/TP and MODBUS RTU output
- CO measurement range of 0 to 500 ppm
- NO<sub>2</sub> measurement range of 0 to 20 ppm
- CO and NO<sub>2</sub> sensing elements last approximately 7 years and are automatically self-tested daily
- Electronic copies of CO and NO<sub>2</sub> certificates of calibration available upon request at no extra charge
- Harsh environment wall/beam mount or duct mount – perfect for car parks, equipment rooms or warehouses.



## SPECIFICATIONS

### POWER:

15 to 40 VDC, 35mA max | 18 to 24 VAC, 2.7 VA max

### FIELD WIRING TERMINAL BLOCKS:

18 to 24 AWG

### ENVIRONMENTAL OPERATION RANGE:

20 to 40°C | 15 to 95%RH Non-condensing

### ENCLOSURE MATERIAL:

UV-resistant Polycarbonate, UL94 V-0

### CO AND NO<sub>2</sub> SENSOR ELEMENT LIFE:

7 years typical

### CO SENSOR:

Type: Electrochemical

Range: 0 to 500 ppm

Accuracy: ±6 ppm from 0 to 200 ppm | ±25 ppm from 200 to 500 ppm

### NO<sub>2</sub> SENSOR:

Type: Electrochemical

Range: 0 to 20 ppm

Accuracy: ±0.5 ppm from 0 to 10 ppm

### TEMPERATURE SENSOR:

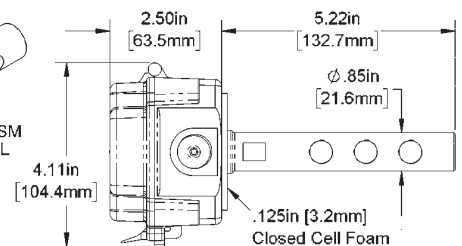
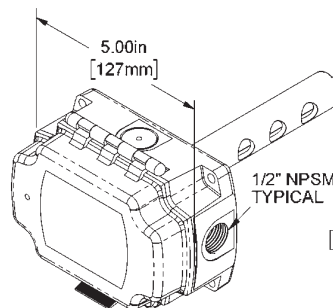
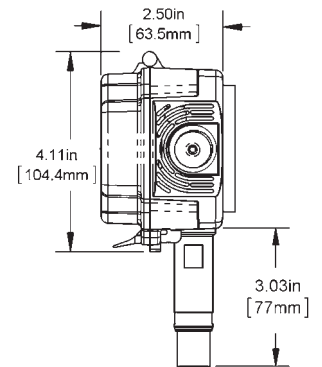
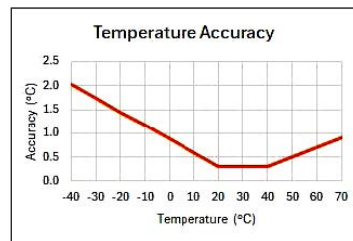
Range: -40 to 70°C

Accuracy: ±0.3°C from 20 to 40°C [see graph]

### HUMIDITY SENSOR:

Range: 0 to 100%RH

Accuracy: ±2%RH from 20 to 80% @ 25°C



AIR QUALITY

## ORDERING

PART NUMBER:	DESCRIPTION:	PRICE:
BA/D-CO-D-BB	CO Duct Sensor	€ 361.18
BA/D-CO-V-BB	CO Harsh Environment Sensor	€ 421.52
BA/D-TH-CO-V-BB	CO Harsh Environment Sensor with Temp and %RH	€ 511.12
BA/D-NO <sub>2</sub> -D-BB	NO <sub>2</sub> Duct Sensor	€ 435.31
BA/D-NO <sub>2</sub> -V-BB	NO <sub>2</sub> Harsh Environment Sensor	€ 495.65
BA/D-TH-NO <sub>2</sub> -V-BB	NO <sub>2</sub> Harsh Environment NO <sub>2</sub> Sensor with Temp and %RH	€ 577.54
BA/D-CO-NO <sub>2</sub> -D-BB	CO & NO <sub>2</sub> Duct Sensor	€ 620.64
BA/D-CO-NO <sub>2</sub> -V-BB	CO & NO <sub>2</sub> Harsh Environment Sensor	€ 680.98
BA/D-TH-CO-NO <sub>2</sub> -V-BB	CO & NO <sub>2</sub> Harsh Environment Sensor with Temp and %RH	€ 762.87

# NO<sub>2</sub> DUCT & HARSH ENVIRONMENT SENSOR

## Air Quality Sensor

- Field replaceable electrochemical sensor
- Two independent alarm contacts
- Field selectable NO<sub>2</sub> ranges and outputs
- Sensor element is tested daily

BAPI's Nitrogen Dioxide Harsh Environment Sensor offers enhanced electrochemical sensing with outstanding accuracy even at low concentrations. The Duct unit samples duct air using an aspiration tube. The Harsh Environment unit features a ventilated BAPI-Box and is ideal for car parks, equipment rooms and warehouses.

The sensor has field selectable NO<sub>2</sub> ranges of 0 to 2.5, 0 to 5, 0 to 7.5 and 0 to 10 ppm. It also has field selectable outputs of 0 to 5, 1 to 5, 0 to 10 and 2 to 10 VDC as well as a 3-wire 4 to 20 mA output. Two independent SPDT alarm contacts switch at field selectable NO<sub>2</sub> concentrations of 1.0, 2.5, 5.0, 7.5 and 10.0 ppm. Sensor elements last approximately 7 years and the sensor module is field replaceable.

ANOTHER ORIGINAL



## SPECIFICATIONS

### POWER:

18 to 28 VAC, 7.2 VA max  
18 to 40 VDC, 180 mA max

### FIELD SELECTABLE RANGES:

0 to 2.5 ppm • 0 to 5.0 ppm  
0 to 7.5 ppm • 0 to 10.0 ppm

### ACCURACY:

±5.0% of full scale

### ALARM RELAYS:

2 Independent, Dry SPDT (Form C)  
2 Amps at 24 VAC/DC, Resistive  
140 VA Inrush, 48 VA Holding at 24 VAC

### FIELD WIRING TERMINALS:

Pluggable Screw Terminals, 14 to 24 AWG

### RESPONSE TIME:

<80 seconds from 10% to 90% of range

### ALARM RELAY SETPOINTS:

1.0, 2.5, 5.0, 7.5 or 10 ppm

### ALARM TIMER:

0, 1, 5 & 10 minutes

### FIELD SELECTABLE ANALOG OUTPUTS:

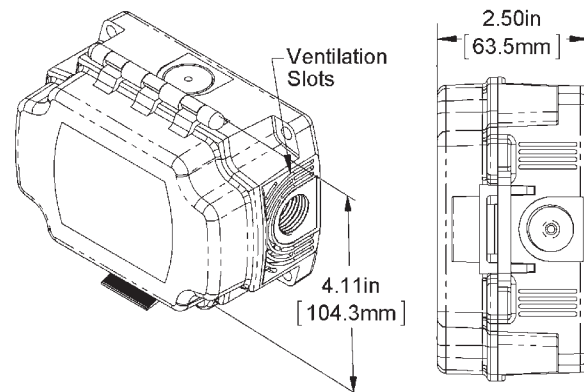
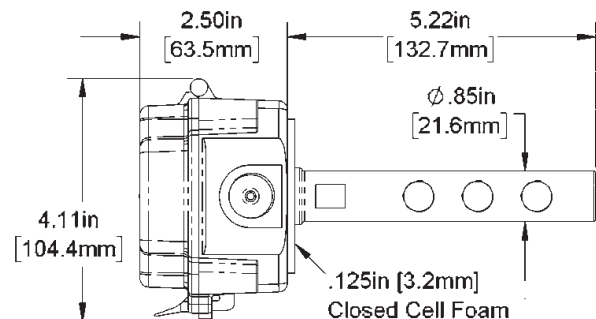
3-wire 4 to 20 mA  
0 to 5 VDC, 1 to 5 VDC  
0 to 10 VDC, 2 to 10 VDC

### LIFETIME:

7 years typical

### ENVIRONMENTAL OPERATING RANGE:

Temperature: -10 to 50°C  
Humidity: 5 to 95% RH, non-condensing



AIR QUALITY

## ORDERING

PART NUMBER:	DESCRIPTION:	PRICE:
BA/NO2-V-BB	Harsh Environment NO <sub>2</sub> Sensor with Ventilated BAPI-Blue Box, Field Selectable Outputs and Ranges	€ 1,008.55
BA/NO2-D-BB	Duct NO <sub>2</sub> Sensor with Aspiration Tube, Field Selectable Outputs and Ranges, IP66 BAPI-Box	€ 948.20
BA/NO2S	Factory Calibrated Replacement NO <sub>2</sub> Module	€ 491.35

# BAPI-STAT "QUANTUM" PARTICULATE SENSOR

Air Quality Sensor

ANOTHER ORIGINAL

- Field selectable particulate size of PM1.0, PM2.5 and PM10
- Field selectable outputs of 0 to 5 V, 0 to 10 V and 4 to 20 mA
- Laser-based, light scattering particle sensing with 10 year expected lifetime.

The BAPI-Stat "Quantum" Particulate Sensor is an accurate and reliable way of continuously monitoring the concentration of particles in a room. Laser-based sensors provide the highest accuracy for commercial applications and will measure particle concentrations from 0 to 1,000  $\mu\text{g}/\text{m}^3$ . Comes with a 60mm mounting base to fit European style junction boxes.



## SPECIFICATIONS

### POWER: (Half-wave rectified)

7 to 40 VDC (4 to 20 mA output)  
7 to 40 VDC or 12 to 28 VAC (0 to 5 VDC output)  
15 to 40 VDC or 15 to 28 VAC (0 to 10 VDC output)

### POWER CONSUMPTION:

75 mA max @ 24 VDC • 3 VA max @ 24 VAC

### LOAD RESISTANCE:

VDC output 4K  $\Omega$  min

### SENSING ELEMENT:

Laser-based, Light Scattering

### SENSING ELEMENT LIFE:

10 years typical

### MOUNTING:

Universal backplate (screws provided)

### CONCENTRATION RANGE:

0 to 1,000  $\mu\text{g}/\text{m}^3$

### WIRING:

3 wires, 16 to 22 AWG

### RESPONSE TIME:

<6 seconds

### ACCURACY AT 25°C:

	0 to 100 $\mu\text{g}/\text{m}^3$	100 to 1,000 $\mu\text{g}/\text{m}^3$
PM1.0	$\pm 25 \mu\text{g}/\text{m}^3$	$\pm 25\%$ of reading
PM2.5	$\pm 15 \mu\text{g}/\text{m}^3$	$\pm 15\%$ of reading
PM10	$\pm 25 \mu\text{g}/\text{m}^3$	$\pm 25\%$ of reading

### ENVIRONMENTAL OPERATING RANGE:

Temperature: -20 to 70°C  
Humidity: 0 to 95% RH, non-condensing

### ENCLOSURE MATERIAL & RATING:

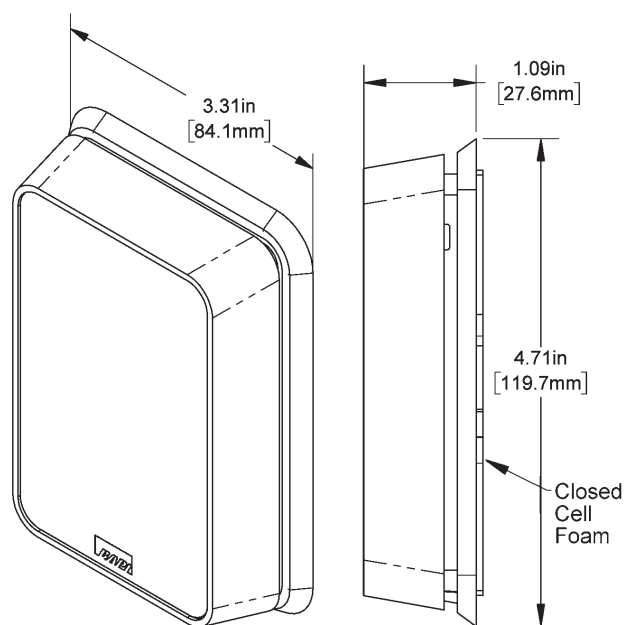
ABS Plastic, UL94 V-0

### FIELD SELECTABLE PARTICULATE SIZE:

PM1.0  $\leq 1.0 \mu\text{m}$  in diameter  
PM2.5  $\leq 2.5 \mu\text{m}$  in diameter  
PM10  $\leq 10 \mu\text{m}$  in diameter

### FIELD SELECTABLE OUTPUT:

4 to 20 mA, 0 to 5 V, 0 to 10 V



AIR QUALITY

## ORDERING

PART NUMBER:	DESCRIPTION:	PRICE:
BA/CQX60	BAPI-Stat "Quantum" Particulate Sensor with Field Selectable Particulate Size and Output	€ 409.50

# DUCT PARTICULATE SENSOR

## Air Quality Sensor

ANOTHER ORIGINAL

- Field selectable particulate size of PM1.0, PM2.5 and PM10
- Field selectable outputs of 0 to 5 V, 0 to 10 V and 4 to 20 mA
- Laser-based, light scattering particle sensing with 10 year expected lifetime.

The BAPI-Box Duct Particulate Sensor is an accurate and reliable way of continuously monitoring the concentration of particles in a duct. The duct unit samples duct air using an aspiration tube.

Laser-based sensors provide the highest accuracy for commercial applications and will measure particle concentrations from 0 to 1,000  $\mu\text{g}/\text{m}^3$ .



## SPECIFICATIONS

### POWER: (Half-wave rectified)

7 to 40 VDC (4 to 20 mA output)  
7 to 40 VDC or 12 to 28 VAC (0 to 5 VDC output)  
15 to 40 VDC or 15 to 28 VAC (0 to 10 VDC output)

### POWER CONSUMPTION:

75 mA max @ 24 VDC • 3 VA max @ 24 VAC

### LOAD RESISTANCE:

VDC output 4K  $\Omega$  min

### SENSING ELEMENT:

Laser-based, Light Scattering

### SENSING ELEMENT LIFE:

10 Years Typical

### CONCENTRATION RANGE:

0 to 1,000  $\mu\text{g}/\text{m}^3$

### WIRING:

3 wires, 16 to 22 AWG

### RESPONSE TIME:

<6 Seconds

### ACCURACY AT 25°C $\pm 5^\circ\text{C}$ :

	0 to 100 $\mu\text{g}/\text{m}^3$	100 to 1,000 $\mu\text{g}/\text{m}^3$
PM1.0	$\pm 25 \mu\text{g}/\text{m}^3$	$\pm 25\%$ of reading
PM2.5	$\pm 15 \mu\text{g}/\text{m}^3$	$\pm 15\%$ of reading
PM10	$\pm 25 \mu\text{g}/\text{m}^3$	$\pm 25\%$ of reading

### ENVIRONMENTAL OPERATING RANGE:

Temperature: -20 to 70°C  
Humidity: 0 to 95% RH, non-condensing

### ENCLOSURE MATERIAL & RATING:

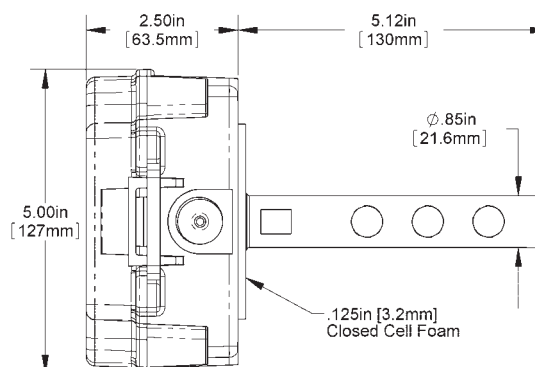
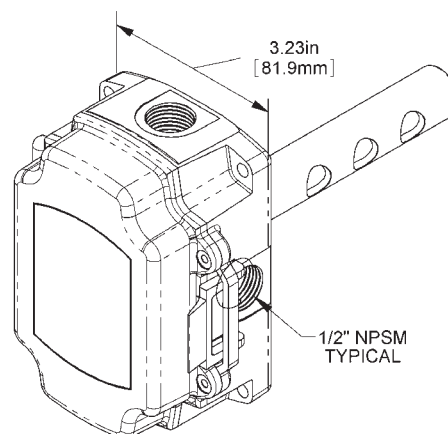
UV-resistant polycarbonate, UL94 V-0

### FIELD SELECTABLE PARTICULATE SIZE:

PM1.0  $\leq 1.0 \mu\text{m}$  in diameter  
PM2.5  $\leq 2.5 \mu\text{m}$  in diameter  
PM10  $\leq 10 \mu\text{m}$  in diameter

### FIELD SELECTABLE OUTPUT:

4 to 20 mA, 0 to 5 V, 0 to 10 V



AIR QUALITY

## ORDERING

PART NUMBER:	DESCRIPTION:	PRICE:
BA/PM-D-BB	Duct Particulate Sensor, Field Selectable PM Size (PM1.0, PM2.5, or PM10) and Output (4-20mA, 0-5V, or 0-10V)	€ 646.50

# REFRIGERANT LEAK DETECTOR

## Air Quality Sensor

- Detects most modern refrigerants
- Area monitoring for leaks and spills
- Provides a voltage output
- Automatic temperature compensation for increased accuracy

The BAPI Duct and Harsh Environment Refrigerant Leak Detectors sense a wide range of refrigerants. The unit is temperature compensated for improved detection of leaks and spills. The output voltage increases as the concentration of the refrigerant increases in the space.

These units are not intended for critical ppm measurements nor life safety applications.



## SPECIFICATIONS

### POWER SUPPLY:

9 to 40 VDC at 120 mA max  
19 to 32 VAC at 5 VA

### OUTPUT IMPEDANCE:

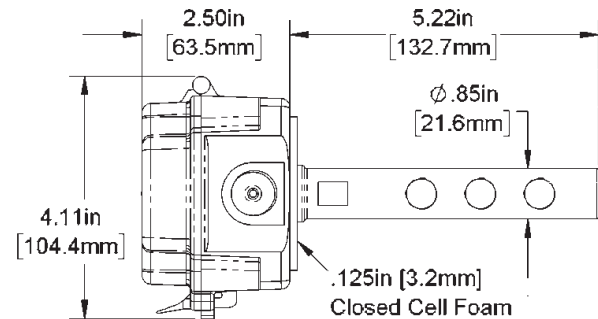
680 Ohms

### OUTPUT VOLTAGE:

0.5 to 4.8 VDC

### ENVIRONMENTAL OPERATING RANGE:

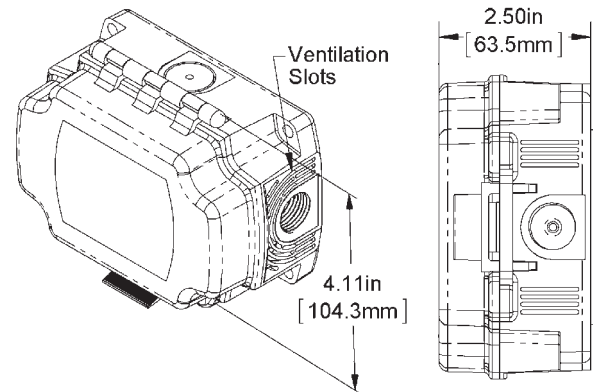
Temperature: 0 to 60°C



## Refrigerants Detected by the sensor

Refrigerants	Refrigerant Blends	
R-22 (A1)	R-404a (A1)	R-452a (A1)
R-32 (A2L)	R-407c (A1)	R-452b (A2L)
R-125 (A1)	R-407f (A1)	R-454a (A2L)
R-134a (A1)	R-410a (A1)	R-454b (A2L)
R-1234yf (A2L)	R-424a (A1)	R-454c (A2L)
R-1234ze (A2L)	R-434a (A1)	R-455a (A2L)
	R-447a (A2L)	R-466a (A1)
	R-448a (A1)	R-507 (A1)
	R-449a (A1)	R-513a (A1)
	R-450a (A1)	

For a full list of refrigerants detected, please visit [www.bapihvac.com](http://www.bapihvac.com)



## ORDERING

PART NUMBER:	DESCRIPTION:	PRICE:
BA/RLD	Harsh Environment Refrigerant Leak Detector, IP66 BAPI-Box, Blue	€ 400.85
BA/RLD-W	Harsh Environment Refrigerant Leak Detector, IP66 BAPI-Box, White	€ 400.85
BA/RLD-D-BB	Duct Refrigerant Leak Detector, IP66 BAPI-Box, Blue	€ 340.49
BA/RLD-W-D-BB	Duct Refrigerant Leak Detector, IP66 BAPI-Box, White	€ 340.49
BA/RLD-EL	Replacement Element	€ 51.72

NOTE: Grey shaded items follow the Buy and Resale Multiplier.

# CO<sub>2</sub> CALIBRATION KIT

## Air Quality Sensor

- Calibrates and verifies proper operation of all BAPI CO<sub>2</sub> room and duct sensors

BAPI's CO<sub>2</sub> Sensor Calibration Kit verifies the proper operation and calibrates all of BAPI's room and duct CO<sub>2</sub> sensors.

Two calibration gas concentrations are required to perform a complete calibration\*. Purchase the single point gas at a CO<sub>2</sub> concentration of 400 to 800 PPM, and the span gas at 1,000 to 1,200 PPM. Only one regulator is required because it can be swapped between gas cylinders.

BAPI's CO<sub>2</sub> Sensor Calibration Kit consists of the following:

- A software CD containing the test software and cable drivers
- A communications cable that connects a computer to the BAPI CO<sub>2</sub> sensor
- A funnel used as a gas shroud
- A length of tubing to connect the funnel to the test gases
- Rubber bands to secure the funnel to the BAPI CO<sub>2</sub> sensor
- Shunt jumpers to place the BAPI CO<sub>2</sub> sensor into test mode

\*Note: A single point gas may not be required. If the ambient CO<sub>2</sub> concentration is known, stays stable at  $\pm 10$  PPM for at least 10 minutes and is in the range of 350 to 800 PPM, you may perform the single point accuracy check and calibration without any test gas.



CO<sub>2</sub> Sensor Calibration Kit



CO<sub>2</sub> Sensor Calibration Kit with Optional Case (shown with customer supplied gas cylinders)

**5**  
YEAR  
WARRANTY

AIR QUALITY

## ORDERING

PART NUMBER:	DESCRIPTION:	PRICE:
BA/C02-KIT	CO <sub>2</sub> Sensor Calibration Kit	€ 133.60
BA/C02-KIT-C	CO <sub>2</sub> Sensor Cal. Kit with Case	€ 517.25
BA/C02-C	Empty Case with Foam Cutouts	€ 392.25

# VOC VERIFICATION KIT

## Air Quality Sensor

The VOC Sensor Verification Kit allows a known VOC sample to be generated and applied to a BAPI room or duct VOC sensor. The sample tests the dynamic range of the sensor to see if the sensor element is working correctly.

The kit consists of a plastic bottle and a 60mL syringe and a comprehensive set of instructions. The customer has to supply 70% minimum Isopropyl Alcohol.



**5**  
YEAR  
WARRANTY

## ORDERING

PART NUMBER:	DESCRIPTION:	PRICE:
BA/VOC-KIT	VOC Sensor Verification Kit	€ 15.50

# WIRELESS



# WIRELESS RECEIVER

## Wireless System

- Receiver output is converted to an analog voltage or resistance by the associated Analog Output Modules
- Supports up to 32 sensors and 127 Analog Output Modules
- User adjustable settings
- Surface, snaptrack or DIN rail mountable

The Wireless Receiver from BAPI receives the data from one or more wireless sensors. The data is then transferred to the Analog Output Modules and converted to an analog voltage or resistance. The receiver supports up to 32 sensors and up to 127 different Analog Output Modules.



## SPECIFICATIONS

### SUPPLY POWER:

15 to 30 VDC, from halfwave rectified supply

### POWER CONSUMPTION:

30mA @ 24 VDC, 2.75 VA @ 24 VAC

### ENVIRONMENTAL OPERATING RANGE:

Temperature: 0 to 60°C

Humidity: 5 to 95% RH, non-condensing

### CAPACITY/UNIT:

Up to 32 sensors and 127 different Analog Output Modules

### FREQUENCY:

2.4 GHz (Bluetooth Low Energy)

### BUS CABLE DISTANCE:

4,000 ft with shielded, twisted pair cable

### ENCLOSURE MATERIAL & RATING:

ABS Plastic, UL94 V-0

*\*In-building range is dependent on obstructions such as furniture and walls and the density of those materials. In wide open spaces, the distance may be greater; in dense spaces, the distance may be less.*

### APPLICATION NOTE:

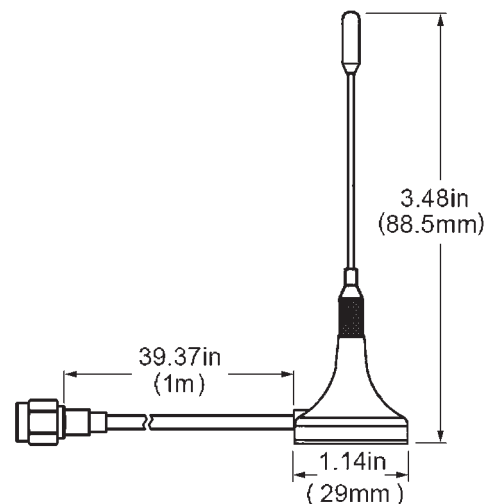
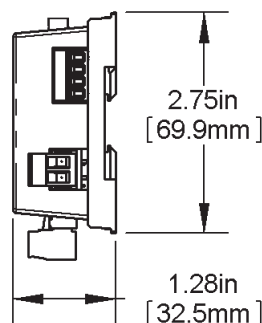
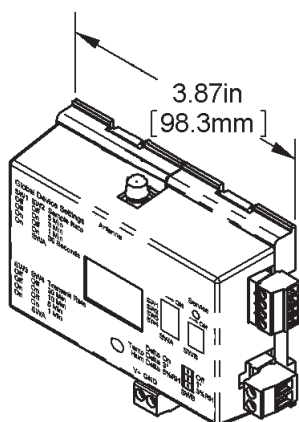
## Analog Output Modules

The Analog Output Modules convert the signal from the Receiver into an analog voltage or resistance.



See pages 61-63 to learn more about our Output Modules

WIRELESS



## ORDERING

PART NUMBER:	DESCRIPTION:	PRICE:
BA/RCV-BLE-EZ	Wireless Receiver	€ 300.00

# WIRELESS GATEWAY

## Wireless System

- Gateway provides data via MQTT to the cloud
- Each gateway supports up to 32 sensors that can be configured remotely via the gateway and BAPI's WAM user interface

BAPI's Wireless Gateway receives the data from one or more sensors and provides the data to the cloud via MQTT using your local Wi-Fi connection. Sensors can be configured remotely via the gateway and BAPI's WAM user interface.

The gateway sends a confirmation signal to each sensor upon a successful reception. If the sensor doesn't receive this confirmation, then the sensor retains the readings in its onboard memory and transmits them once communication is re-established.



## SPECIFICATIONS

**SUPPLY POWER:**  
5 VDC @ 120mA via included USB cable or Power Over Ethernet (POE) via Ethernet port. Ethernet port is for power only, TCP/IP is not enabled.

**CAPACITY/UNIT:**  
Up to 32 sensors

**ANTENNA:**  
Thread-on Whip Antenna, 2.4 GHz

**RECEPTION DISTANCE:**  
Varies by application\* for both the Wi-Fi and Bluetooth signals

**SECURITY:**  
TLS 1.2 authentication and encryption of Wi-Fi data. 128 AES for Bluetooth data. Configuration settings and device readings are user/password protected.

**ENVIRONMENTAL OPERATION RANGE:**  
Temperature: -4 to 158°F (-20 to 70°C)  
Humidity: 10 to 90% RH, non-condensing

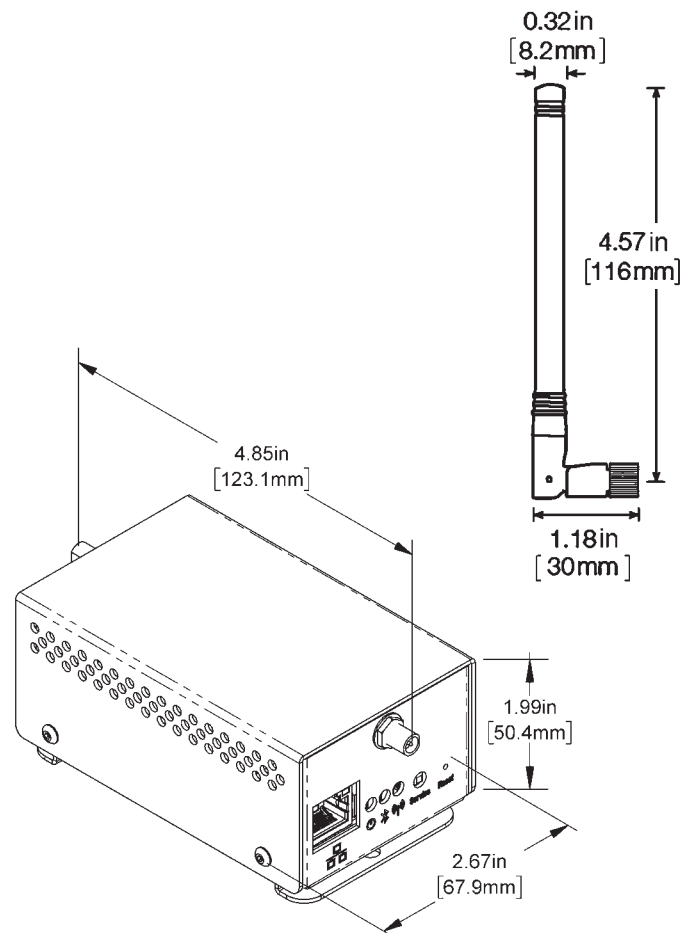
**FREQUENCY:**  
2.4 GHz

**RECEIVER SENSITIVITY:**  
-97 dBm

**MOUNTING:**  
Wall or surface mount

**ENCLOSURE MATERIAL:**  
Power coated steel

*\*In-building range is dependent on obstructions such as furniture and walls and the density of those materials. In wide open spaces, the distance may be greater; in dense spaces, the distance may be less.*



WIRELESS

## ORDERING

PART NUMBER:	DESCRIPTION:	PRICE:
BA/GTW-BLE	Wireless Gateway	€ 735.00

# RESISTANCE OUTPUT MODULE (ROM)

## Wireless System

The Resistance Output Module (ROM) converts the temperature data from the BAPI Receiver into a resistance for the BAS controller. The unit is factor calibrated to output a 10K-2, 10K-3(11K) or 20K thermistor curve.

The ROM receives data from the receiver through a four-wire bus. Up to 127 different Output Modules can be connected to a single receiver to send multiple variables to the controller.

The ROM is easily trained to a single sensor variable with a pushbutton and LED. The ROM is surface, snaptrack or 35mm DIN rail mountable.

The ROM is powered by the receiver. Optionally, the ROM may be powered separately when the Pluggable Terminal Block Kit is used for remote connections.



## SPECIFICATIONS

### SUPPLY POWER:

15 to 30 VDC (from half wave rectified supply)

### POWER CONSUMPTION:

20mA @ 24 VDC

### TEMPERATURE OUTPUT RANGES:

10K-2 Unit: 1 to 50°C

10K-3 Unit: 0 to 50°C

10K-3(11K) Unit: 0 to 50°C

20K Unit: 12 to 50°C

### ANALOG INPUT BIAS VOLTAGE:

10 VDC max

### OUTPUT RESOLUTION:

100Ω

### BUS CABLE DISTANCE:

4,000 ft with shielded, twisted pair cable

### LOST COMMUNICATION TIMEOUT:

Reverts to High Resistance > 35KΩ (Low Temperature)

### ENVIRONMENTAL OPERATION RANGE:

Temperature: 0 to 60°C

Humidity: 10 to 90% RH, non-condensing

### ENCLOSURE MATERIAL & RATING:

ABS Plastic, UL94 V-0

*\*In-building range is dependent on obstructions such as furniture and walls and the density of those materials. In wide open spaces, the distance may be greater; in dense spaces, the distance may be less.*

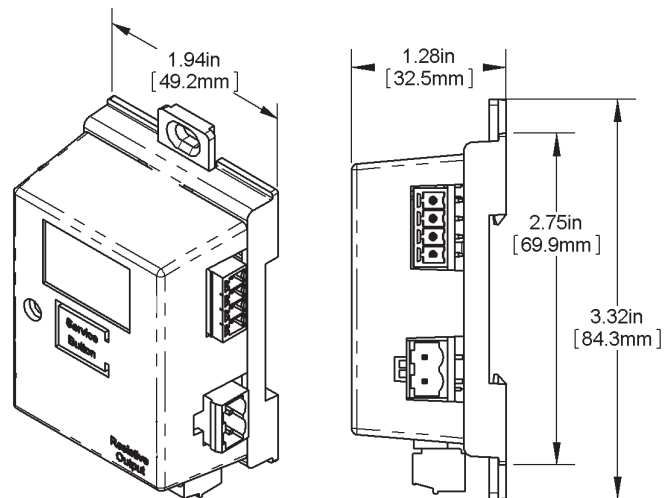
### NOTE:

## Pluggable Terminal Blocks

Analog Output Modules (AOMs) plug into each other and the receiver as shown above. However, the AOMs may also be mounted remotely using the optional Pluggable Terminal Block Connectors which are available as a 4-connector kit.



See Page # 76



## ORDERING

PART NUMBER:	DESCRIPTION:	PRICE:
BA/ROM-BLE-102-EZ	Resistance Output Module, 10K-2 thermistor curve	€ 150.00
BA/ROM-BLE-103-EZ	Resistance Output Module, 10K-3 thermistor curve	€ 150.00
BA/ROM-BLE-10311-EZ	Resistance Output Module, 10K-3(11K) thermistor curve	€ 150.00
BA/ROM-BLE-20-EZ	Resistance Output Module, 20K thermistor curve	€ 150.00

# SETPUT OUTPUT MODULE (SOM)

## Wireless System

The Setpoint Output Module (SOM) converts the Setpoint data from the BAPI Receiver into a Resistance or Voltage for the BAS controller. The SOM receives data from the receiver through a four-wire bus.

The SOM is easily trained to a single sensor setpoint with a pushbutton and LED. The SOM is surface, snaptrack or 35mm DIN rail mountable.

Units are available with an occupancy override signal in parallel with the setpoint output. For resistance output units, the resistance goes to  $0\Omega$  briefly when the override button is pressed. For voltage output units, the voltage goes to 0V briefly when the override button is pressed.

The SOM is powered by the receiver. Optionally, the SOM may be powered separately when the Pluggable Terminal Block Kit is used for remote connections.



## SPECIFICATIONS

### SUPPLY POWER:

15 to 30 VDC (from half wave rectified supply)

### POWER CONSUMPTION:

25 mA @ 24 VDC

### OUTPUT CURRENT:

2.5 mA @  $4K\Omega$  load

### OUTPUT VOLTAGE RANGE:

0 to 5 VDC or 0 to 10 VDC (factory calibrated)

### LOST COMMUNICATION TIMEOUT:

35 min. (Fast Flash)

Temperature output reverts to 0 volts %RH output reverts to high scale (5V or 10V)

### ENVIRONMENTAL OPERATION RANGE:

Temperature: 0 to 60°C

Humidity: 5 to 95% RH, non-condensing

### BUS CABLE DISTANCE:

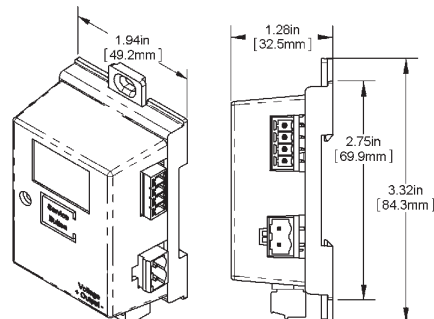
4,000 ft with shielded, twisted pair cable

### OUTPUT RESOLUTION:

150 $\mu$ V

### ENCLOSURE MATERIAL:

ABS Plastic, UL94 V-0



## ORDERING

PART NUMBER:	DESCRIPTION:	PRICE:
BA/SOM-BLE-00-EZ	Setpoint Output Module, 0 to 5V Output	€ 150.00
BA/SOM-BLE-02-EZ	Setpoint Output Module, 3.7 to 0.85V Output	€ 150.00
BA/SOM-BLE-04-EZ	Setpoint Output Module, 4.2 to 1.2V Output	€ 150.00
BA/SOM-BLE-10-EZ	Setpoint Output Module, 0 to 10V Output	€ 150.00
BA/SOM-BLE-11-EZ	Setpoint Output Module, 2 to 10V Output	€ 150.00
BA/SOM-BLE-60-EZ	Setpoint Output Module, 0 to $10K\Omega$ Output	€ 150.00
BA/SOM-BLE-80-EZ	Setpoint Output Module, 0 to $20K\Omega$ Output	€ 150.00
BA/SOM-BLE-81-EZ	Setpoint Output Module, 4.75K to $24.75K\Omega$ Output	€ 150.00
BA/SOM-BLE-82-EZ	Setpoint Output Module, 6.19K to $26.19K\Omega$ Output	€ 150.00
BA/SOM-BLE-83-EZ	Setpoint Output Module, 7.87K to $27.87K\Omega$ Output	€ 150.00
BA/SOM-BLE-00-EZ-0	Setpoint Output Module, 0 to 5V Output	€ 150.00
BA/SOM-BLE-02-EZ-0	Setpoint Output Module, 3.7 to 0.85V Output	€ 150.00
BA/SOM-BLE-04-EZ-0	Setpoint Output Module, 4.2 to 1.2V Output	€ 150.00
BA/SOM-BLE-10-EZ-0	Setpoint Output Module, 0 to 10V Output	€ 150.00
BA/SOM-BLE-11-EZ-0	Setpoint Output Module, 2 to 10V Output	€ 150.00
BA/SOM-BLE-60-EZ-0	Setpoint Output Module, 0 to $10K\Omega$ Output	€ 150.00
BA/SOM-BLE-80-EZ-0	Setpoint Output Module, 0 to $20K\Omega$ Output	€ 150.00
BA/SOM-BLE-81-EZ-0	Setpoint Output Module, 4.75K to $24.75K\Omega$ Output	€ 150.00
BA/SOM-BLE-82-EZ-0	Setpoint Output Module, 6.19K to $26.19K\Omega$ Output	€ 150.00
BA/SOM-BLE-83-EZ-0	Setpoint Output Module, 7.87K to $27.87K\Omega$ Output	€ 150.00

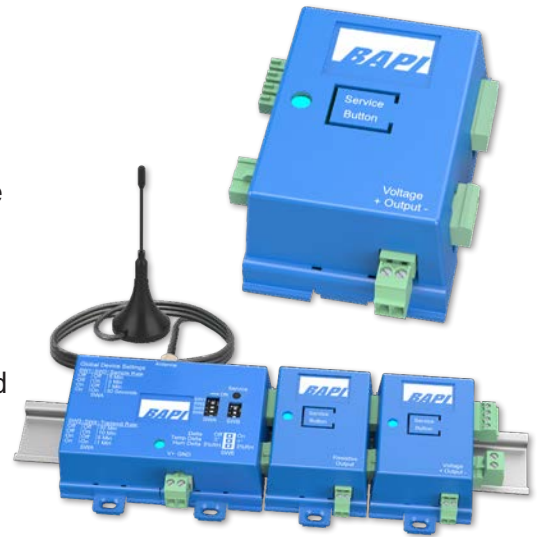
# VOLTAGE OUTPUT MODULE (VOM)

## Wireless System

The Voltage Output Module (VOM) converts the temperature or humidity data from the BAPI Receiver into a linear 0 to 5 or 0 to 10 volt signal for the controller. The VOM receives the temperature or humidity data from the receiver through a four-wire bus.

The VOM is easily trained to a single sensor variable with a pushbutton and LED. The VOM is surface, snaptrack or 35mm DIN rail mountable.

The VOM is powered by the receiver. Optionally, the VOM may be powered separately when the Pluggable Terminal Block Kit is used for remote connections.



## SPECIFICATIONS

### SUPPLY POWER:

15 to 30 VDC (from half wave rectified supply)

### POWER CONSUMPTION:

25 mA @ 24 VDC

### OUTPUT CURRENT:

2.5 mA @ 4KΩ load

### OUTPUT VOLTAGE RANGE:

0 to 5 VDC or 0 to 10 VDC (factory calibrated)

### LOST COMMUNICATION TIMEOUT:

35min. (Fast Flash)

Temperature output reverts to 0 volts %RH output reverts to high scale (5V or 10V)

### ENVIRONMENTAL OPERATION RANGE:

Temperature: 0 to 60°C

Humidity: 5 to 95% RH, non-condensing

### BUS CABLE DISTANCE:

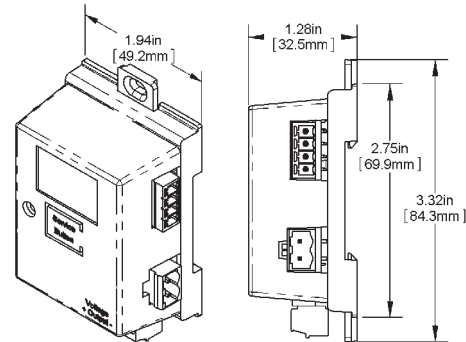
4,000 ft with shielded, twisted pair cable

### OUTPUT RESOLUTION:

150μV

### ENCLOSURE MATERIAL:

ABS Plastic, UL94 V-0



## ORDERING

PART NUMBER:	DESCRIPTION:	PRICE:
BA/VOM-BLE-05-C-C-EZ	Voltage Output Module, 0 to 5V Output, 10 to 32°C Range	€ 150.00
BA/VOM-BLE-05-D-C-EZ	Voltage Output Module, 0 to 5V Output, 13 to 30°C Range	€ 150.00
BA/VOM-BLE-05-E-C-EZ	Voltage Output Module, 0 to 5V Output, 15 to 27°C Range	€ 150.00
BA/VOM-BLE-05-F-C-EZ	Voltage Output Module, 0 to 5V Output, 18 to 27°C Range	€ 150.00
BA/VOM-BLE-05-G-C-EZ	Voltage Output Module, 0 to 5V Output, 7 to 35°C Range	€ 150.00
BA/VOM-BLE-05-H-C-EZ	Voltage Output Module, 0 to 5V Output, -29 to 49°C Range	€ 150.00
BA/VOM-BLE-05-KK-C-EZ	Voltage Output Module, 0 to 5V Output, 0 to 85°C Range	€ 150.00
BA/VOM-BLE-05-MM-C-EZ	Voltage Output Module, 0 to 5V Output, -40 to 60°C Range	€ 150.00
BA/VOM-BLE-10-C-C-EZ	Voltage Output Module, 0 to 10V Output, 10 to 32°C Range	€ 150.00
BA/VOM-BLE-10-D-C-EZ	Voltage Output Module, 0 to 10V Output, 13 to 30°C Range	€ 150.00
BA/VOM-BLE-10-E-C-EZ	Voltage Output Module, 0 to 10V Output, 15 to 27°C Range	€ 150.00
BA/VOM-BLE-10-F-C-EZ	Voltage Output Module, 0 to 10V Output, 18 to 27°C Range	€ 150.00
BA/VOM-BLE-10-G-C-EZ	Voltage Output Module, 0 to 10V Output, 7 to 35°C Range	€ 150.00
BA/VOM-BLE-10-H-C-EZ	Voltage Output Module, 0 to 10V Output, -29 to 49°C Range	€ 150.00
BA/VOM-BLE-10-KK-C-EZ	Voltage Output Module, 0 to 10V Output, 0 to 85°C Range	€ 150.00
BA/VOM-BLE-10-MM-C-EZ	Voltage Output Module, 0 to 10V Output, -40 to 60°C Range	€ 150.00
BA/VOM-BLE-05-M-EZ	Voltage Output Module, 0 to 5V Output, 0 to 100%RH	€ 150.00
BA/VOM-BLE-05-N-EZ	Voltage Output Module, 0 to 5V Output, 0 to 70%RH	€ 150.00
BA/VOM-BLE-10-M-EZ	Voltage Output Module, 0 to 10V Output, 0 to 100%RH	€ 150.00
BA/VOM-BLE-10-N-EZ	Voltage Output Module, 0 to 10V Output, 0 to 70%RH	€ 150.00

# BAPI-STAT "QUANTUM" TEMPERATURE SENSOR

## Wireless System

- Optional temperature setpoint and occupant override
- User adjustable settings and onboard memory
- Transmits to a digital gateway or a wireless-to-analog receiver

The BAPI-Stat "Quantum" Wireless Sensor measures the room temperature and transmits the data via Bluetooth Low Energy to a receiver or gateway. It is available with optional temperature setpoint and occupancy override.



## SPECIFICATIONS

### BATTERY POWER:

Two included 3.6V 14505, 14500 or equivalent lithium batteries (Note: standard AA batteries are not compatible)

### WIRE POWER:

9 to 30 VDC or 24 VAC, halfwave rectified

### TEMPERATURE SENSOR ACCURACY:

±0.95°C from 0 to 70°C

### TEMPERATURE RANGE:

-20 to 105°C

### TRANSMISSION DISTANCE:

Varies by application\*

### ENVIRONMENTAL OPERATION RANGE:

Temperature: -20 to 65°C  
Humidity: 10 to 90% RH, non-condensing

### USER ADJUSTABLE SETTINGS:

Delta T (Temperature): 0.1°F/C to 5.0°F/C  
Transmit Interval: 30 second to 12 hour  
Sample Interval: 10 second to 5 minute  
Temperature Offset: ±0.1°F/C to ±0.5°F/C

### ONBOARD MEMORY:

Sensor retains up to 16,000 readings should the communication become interrupted. If using the Gateway, the data is re-transmitted once communication is re-established.

### ENCLOSURE MATERIAL:

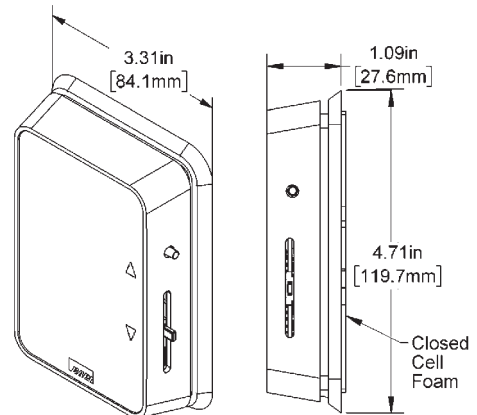
ABS Plastic, UL94 V-0

### FREQUENCY:

2.4 GHz

### RECEIVER SENSITIVITY:

-97 dBm



Transmit Interval	Sample Rate	Estimated Life (years)
30 sec	30 sec	1.12
1 min	1 min	1.89
3 min	1 min	3.83
5 min	5 min	7.08
10 min	5 min	8.93

\*In-building range is dependent on obstructions such as furniture and walls and the density of those materials. In wide open spaces, the distance may be greater; in dense spaces, the distance may be less.

\*\*Actual battery life is dependent on the sensor's adjustable settings and environmental conditions.

WIRELESS

## ORDERING

PART NUMBER:	DESCRIPTION:	PRICE:
BA/WT-BLE-Q-BAT	Wireless BAPI-Stat "Quantum" Temperature sensor, Battery power	€ 215.00
BA/WT-BLE-Q-S-BAT	Wireless BAPI-Stat "Quantum" Temperature sensor, Setpoint, Battery power	€ 221.00
BA/WT-BLE-Q-SO-BAT	Wireless BAPI-Stat "Quantum" Temperature sensor, Setpoint, Override, Battery power	€ 2126.00
BA/WT-BLE-Q60-BAT	Wireless BAPI-Stat "Quantum" Temperature sensor, Battery power, 60mm Base	€ 215.00
BA/WT-BLE-Q60-S-BAT	Wireless BAPI-Stat "Quantum" Temperature sensor, Setpoint, Battery power, 60mm Base	€ 221.00
BA/WT-BLE-Q60-SO-BAT	Wireless BAPI-Stat "Quantum" Temperature sensor, Setpoint, Override, Battery power, 60mm Base	€ 226.00
BA/WT-BLE-Q-PWR	Wireless BAPI-Stat "Quantum" Temperature sensor, Wire power	€ 215.00
BA/WT-BLE-Q-S-PWR	Wireless BAPI-Stat "Quantum" Temperature sensor, Setpoint, Wire power	€ 221.00
BA/WT-BLE-Q-SO-PWR	Wireless BAPI-Stat "Quantum" Temperature sensor, Setpoint, Override, Wire power	€ 226.00
BA/WT-BLE-Q60-PWR	Wireless BAPI-Stat "Quantum" Temperature sensor, Wire power, 60mm Base	€ 215.00
BA/WT-BLE-Q60-S-PWR	Wireless BAPI-Stat "Quantum" Temperature sensor, Setpoint, Wire power, 60mm Base	€ 221.00
BA/WT-BLE-Q60-SO-PWR	Wireless BAPI-Stat "Quantum" Temperature sensor, Setpoint, Override, Wire power, 60mm Base	€ 226.00

# BAPI-STAT "QUANTUM" TEMP/HUMIDITY SENSOR

## Wireless System

- Optional temperature setpoint and occupant override
- User adjustable settings and onboard memory
- Transmits to a digital gateway or a wireless-to-analog receiver

The BAPI-Stat "Quantum" Wireless Sensor measures the room temperature and transmits the data via Bluetooth Low Energy to a receiver or gateway. It is available with optional temperature setpoint and occupancy override.



## SPECIFICATIONS

### BATTERY POWER:

Two included 3.6V 14505, 14500 or equivalent lithium batteries (Note: standard AA batteries are not compatible)

### WIRE POWER:

9 to 30 VDC or 24 VAC, halfwave rectified

### SENSOR ACCURACY:

Temperature:  $\pm 0.95^{\circ}\text{C}$  from 0 to  $70^{\circ}\text{C}$   
Humidity:  $\pm 2\%$ RH @  $25^{\circ}\text{C}$ , 20 to 80%RH

### TEMPERATURE RANGE:

-20 to  $105^{\circ}\text{C}$

### TRANSMISSION DISTANCE:

Varies by application\*

### ENVIRONMENTAL OPERATION RANGE:

Temperature: -20 to  $65^{\circ}\text{C}$   
Humidity: 10 to 90% RH, non-condensing

### USER ADJUSTABLE SETTINGS:

Delta T (Temperature):  $0.1^{\circ}\text{F}/^{\circ}\text{C}$  to  $5.0^{\circ}\text{F}/^{\circ}\text{C}$   
Delta T (Humidity): 0.1%RH to 5.0%RH  
Transmit Interval: 30 second to 12 hour  
Sample Interval: 10 second to 5 minute  
Temperature Offset:  $\pm 0.1^{\circ}\text{F}/^{\circ}\text{C}$  to  $\pm 5.0^{\circ}\text{F}/^{\circ}\text{C}$   
Humidity Offset:  $\pm 0.1\%$ RH to 3.0%RH

### ONBOARD MEMORY:

Sensor retains up to 16,000 readings should the communication become interrupted. If using the Gateway, the data is re-transmitted once communication is re-established.

### ENCLOSURE MATERIAL:

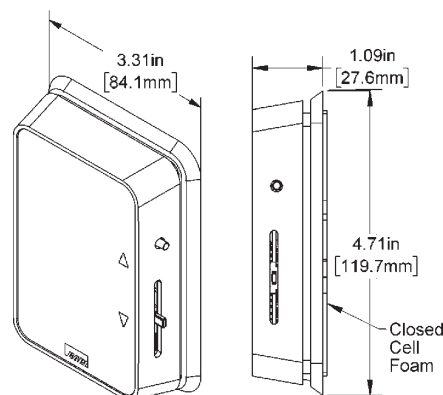
ABS Plastic, UL94 V-0

### FREQUENCY:

2.4 GHz

### RECEIVER SENSITIVITY:

-97 dBm



BAPI-Stat "Quantum" Units Calculated Battery Life**		
Transmit Interval	Sample Rate	Estimated Life (years)
30 sec	30 sec	1.12
1 min	1 min	1.89
3 min	1 min	3.83
5 min	5 min	7.08
10 min	5 min	8.93

\*In-building range is dependent on obstructions such as furniture and walls and the density of those materials. In wide open spaces, the distance may be greater; in dense spaces, the distance may be less.

\*\*Actual battery life is dependent on the sensor's adjustable settings and environmental conditions.

## ORDERING

PART NUMBER:	DESCRIPTION:	PRICE:
BA/WTH-BLE-Q-BAT	Wireless BAPI-Stat "Quantum" Temperature/Humidity sensor, Battery power	€ 300.00
BA/WTH-BLE-Q-S-BAT	Wireless BAPI-Stat "Quantum" Temperature/Humidity sensor, Setpoint, Battery power	€ 306.00
BA/WTH-BLE-Q-SO-BAT	Wireless BAPI-Stat "Quantum" Temperature/Humidity sensor, Setpoint, Override, Battery power	€ 311.00
BA/WTH-BLE-Q60-BAT	Wireless BAPI-Stat "Quantum" Temperature/Humidity sensor, Battery power, 60mm Base	€ 300.00
BA/WTH-BLE-Q60-S-BAT	Wireless BAPI-Stat "Quantum" Temperature/Humidity sensor, Setpoint, Battery power, 60mm Base	€ 306.00
BA/WTH-BLE-Q60-SO-BAT	Wireless BAPI-Stat "Quantum" Temperature/Humidity sensor, Setpoint, Override, Battery power, 60mm Base	€ 311.00
BA/WTH-BLE-Q-PWR	Wireless BAPI-Stat "Quantum" Temperature/Humidity sensor, Wire power	€ 300.00
BA/WTH-BLE-Q-S-PWR	Wireless BAPI-Stat "Quantum" Temperature/Humidity sensor, Setpoint, Wire power	€ 306.00
BA/WTH-BLE-Q-SO-PWR	Wireless BAPI-Stat "Quantum" Temperature/Humidity sensor, Setpoint, Override, Wire power	€ 311.00
BA/WTH-BLE-Q60-PWR	Wireless BAPI-Stat "Quantum" Temperature/Humidity sensor, Wire power, 60mm Base	€ 300.00
BA/WTH-BLE-Q60-S-PWR	Wireless BAPI-Stat "Quantum" Temperature/Humidity sensor, Setpoint, Wire power, 60mm Base	€ 306.00
BA/WTH-BLE-Q60-SO-PWR	Wireless BAPI-Stat "Quantum" Temperature/Humidity sensor, Setpoint, Override, Wire power, 60mm Base	€ 311.00

# BAPI-STAT "QUANTUM SLIM" TEMP SENSOR

## Wireless System

- Built in or remote temperature sensor
- User adjustable settings and onboard memory
- Transmits to a digital gateway or a wireless-to-analog receiver

The BAPI-Stat "Quantum Slim" Wireless Sensor measures the room temperature and transmits the data via Bluetooth Low Energy to a receiver or gateway. It is designed to monitor temperature inside refrigerator and freezer cases. The unit mounts on the outside of freezers and can be mounted inside or outside of refrigerators. It is available with an external sensor.

The external sensor's cable fits between the door seal or through a hole without affecting appliance efficiency.



## SPECIFICATIONS

### BATTERY POWER:

One included 3.6V 14505, 14500 or equivalent lithium batteries (Note: standard AA batteries are not compatible)

### SENSOR ACCURACY:

Temperature:  $\pm 0.75^{\circ}\text{C}$  from 0 to  $70^{\circ}\text{C}$

### TEMPERATURE RANGE:

-20 to  $105^{\circ}\text{C}$

### TRANSMISSION DISTANCE:

Varies by application\*

### ENVIRONMENTAL OPERATION RANGE:

Temperature: -20 to  $65^{\circ}\text{C}$   
Humidity: 10 to 90% RH, non-condensing

### ENCLOSURE MATERIAL:

ABS Plastic, UL94 V-0

### FREQUENCY:

2.4 GHz

### EXTERNAL PROBE MATERIAL: 304 Stainless Steel

44mm Bullet Probe with FEP Cable  
25mm Thermobuffer with FEP Cable

### USER ADJUSTABLE SETTINGS:

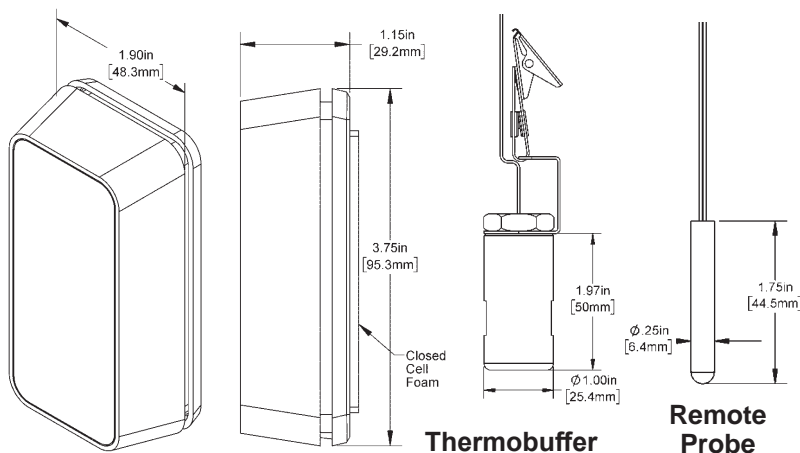
Delta T (Temperature):  $0.1^{\circ}\text{F}/^{\circ}\text{C}$  to  $5.0^{\circ}\text{F}/^{\circ}\text{C}$   
Transmit Interval: 30 second to 12 hour  
Sample Interval: 10 second to 5 minute  
Temperature Offset:  $\pm 0.1^{\circ}\text{F}/^{\circ}\text{C}$  to  $\pm 5.0^{\circ}\text{F}/^{\circ}\text{C}$

### RECEIVER SENSITIVITY:

-97 dBm

### ONBOARD MEMORY:

Sensor retains up to 16,000 readings should the communication become interrupted. If using the Gateway, the data is re-transmitted once communication is re-established.



WIRELESS

*\*In-building range is dependent on obstructions such as furniture and walls and the density of those materials. In wide open spaces, the distance may be greater; in dense spaces, the distance may be less.*

BAPI-Stat "Quantum-Slim" Calculated Battery Life**		
Transmit Interval	Sample Rate	Estimated Life (years)
30 sec	30 sec	0.58
1 min	1 min	1.04
3 min	1 min	2.03
5 min	5 min	3.02
10 min	5 min	4.01

*\*\*Actual battery life is dependent on the adjustable settings and environmental conditions.*

## ORDERING

PART NUMBER:	DESCRIPTION:	PRICE:
BA/WTH-BLE-QS-B-IS-BAT	Black Wireless BAPI-Stat "Quantum Slim" Internal Temperature sensor, Battery power	€ 274.00
BA/WTH-BLE-QS-B-RPFEP5-BAT	Black Wireless BAPI-Stat "Quantum Slim" Remote Probe & 1.5m FEP Cable, Battery power	€ 297.00
BA/WTH-BLE-QS-B-X-BAT	Black Wireless BAPI-Stat "Quantum Slim" without sensor (sensor ordered separately), Battery power	€ 274.00
BA/WTH-BLE-QS-B-TB-HB-FEP5-BAT	Black Wireless BAPI-Stat "Quantum Slim" 25mm Hanging Thermobuffer & 1.5m FEP Cable, Battery power	€ 384.00
BA/WTH-BLE-QS-W-IS-BAT	White Wireless BAPI-Stat "Quantum Slim" Internal Temperature sensor, Battery power	€ 269.00
BA/WTH-BLE-QS-W-RPFEP5-BAT	White Wireless BAPI-Stat "Quantum Slim" Remote Probe & 1.5m FEP Cable, Battery power	€ 292.00
BA/WTH-BLE-QS-W-X-BAT	White Wireless BAPI-Stat "Quantum Slim" without sensor (sensor ordered separately), Battery power	€ 269.00
BA/WTH-BLE-QS-W-TB-HB-FEP5-BAT	White Wireless BAPI-Stat "Quantum Slim" 25mm Hanging Thermobuffer & 1.5m FEP Cable, Battery power	€ 379.00

# BAPI-STAT "QUANTUM SLIM" TEMPERATURE/HUMIDITY SENSOR

## Wireless System

- User adjustable settings
- Onboard memory
- Transmits to a digital gateway or a wireless-to-analog receiver

The BAPI-Stat "Quantum Slim" Wireless Sensor measures the room temperature and humidity transmits the data via Bluetooth Low Energy to a receiver or gateway. The unit features a sleek, low profile room enclosure in bright white or black color.



## SPECIFICATIONS

### BATTERY POWER:

One included 3.6V 14505, 14500 or equivalent lithium batteries (Note: standard AA batteries are not compatible)

### WIRE POWER:

9 to 30 VDC or 24 VAC, halfwave rectified

### SENSOR ACCURACY:

Temperature:  $\pm 0.7^{\circ}\text{C}$  from 0 to  $70^{\circ}\text{C}$   
Humidity:  $\pm 2\% \text{RH}$  @  $25^{\circ}\text{C}$ , 20 to 80%RH

### TEMPERATURE RANGE:

-20 to  $105^{\circ}\text{C}$

### TRANSMISSION DISTANCE:

Varies by application\*

### ENVIRONMENTAL OPERATION RANGE:

Temperature: -20 to  $65^{\circ}\text{C}$   
Humidity: 10 to 90% RH, non-condensing

### USER ADJUSTABLE SETTINGS:

Delta T (Temperature):  $0.1^{\circ}\text{F}/^{\circ}\text{C}$  to  $5.0^{\circ}\text{F}/^{\circ}\text{C}$   
Transmit Interval: 30 second to 12 hour  
Sample Interval: 10 second to 5 minute  
Temperature Offset:

### ONBOARD MEMORY:

Sensor retains up to 16,000 readings should the communication become interrupted. If using the Gateway, the data is re-transmitted once communication is re-established.

### ENCLOSURE MATERIAL:

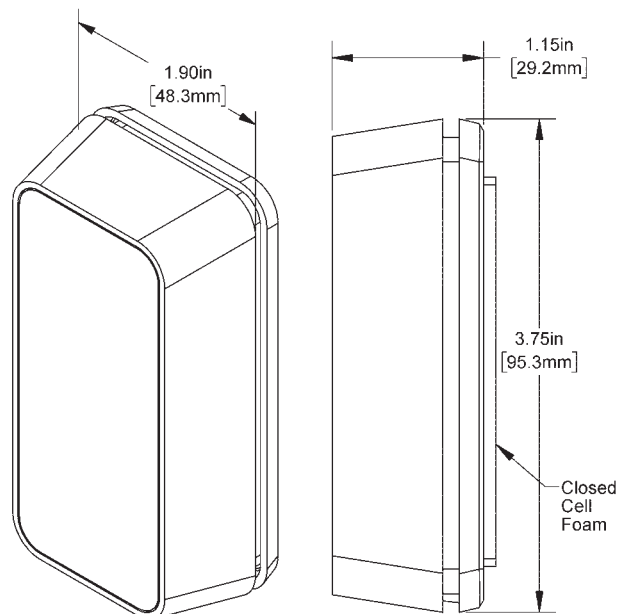
ABS Plastic, UL94 V-0

### FREQUENCY:

2.4 GHz

### RECEIVER SENSITIVITY:

-97 dBm



BAPI-Stat "Quantum-Slim" Calculated Battery Life**		
Transmit Interval	Sample Rate	Estimated Life (years)
30 sec	30 sec	0.58
1 min	1 min	1.04
3 min	1 min	2.03
5 min	5 min	3.02
10 min	5 min	4.01

\*In-building range is dependent on obstructions such as furniture and walls and the density of those materials. In wide open spaces, the distance may be greater; in dense spaces, the distance may be less.

\*\*Actual battery life is dependent on the adjustable settings and environmental conditions.

WIRELESS

## ORDERING

PART NUMBER:	DESCRIPTION:	PRICE:
BA/WTH-BLE-QS-B-IS-BAT	Black Wireless BAPI-Stat "Quantum Slim" Internal Temperature/Humidity Sensor, Battery power	€ 365.00
BA/WTH-BLE-QS-W-IS-BAT	White Wireless BAPI-Stat "Quantum Slim" Internal Temperature/Humidity Sensor, Battery power	€ 360.00

# DUCT TEMPERATURE SENSOR

## Wireless System

- User adjustable settings
- Onboard memory
- Transmits to a digital gateway or a wireless-to-analog receiver

BAPI's Duct Wireless Sensor measures environmental values and transmits the data via Bluetooth Low Energy to a receiver or gateway. This unit features a rugged IP66-rated BAPI-Box enclosure and 6.4mm stainless steel probe with standard probe lengths from 102 to 457mm.



## SPECIFICATIONS

### BATTERY POWER:

Two included 3.6V 14505, 14500 or equivalent lithium batteries (Note: standard AA batteries are not compatible)

### WIRE POWER:

9 to 30 VDC or 24 VAC, halfwave rectified

### SENSOR ACCURACY:

Temperature:  $\pm 0.55^{\circ}\text{C}$  from 0 to  $70^{\circ}\text{C}$

### TEMPERATURE RANGE:

-20 to  $105^{\circ}\text{C}$

### TRANSMISSION DISTANCE:

Varies by application\*

### ENVIRONMENTAL OPERATION RANGE:

Temperature: -20 to  $65^{\circ}\text{C}$   
Humidity: 10 to 90% RH, non-condensing

### USER ADJUSTABLE SETTINGS:

Delta T (Temperature):  $0.1^{\circ}\text{F}/^{\circ}\text{C}$  to  $5.0^{\circ}\text{F}/^{\circ}\text{C}$   
Transmit Interval: 30 second to 12 hour  
Sample Interval: 10 second to 5 minute  
Temperature Offset:  $\pm 0.1^{\circ}\text{F}/^{\circ}\text{C}$  to  $\pm 5.0^{\circ}\text{F}/^{\circ}\text{C}$

### ONBOARD MEMORY:

Sensor retains up to 16,000 readings should the communication become interrupted. If using the Gateway, the data is re-transmitted once communication is re-established.

### ENCLOSURE MATERIAL:

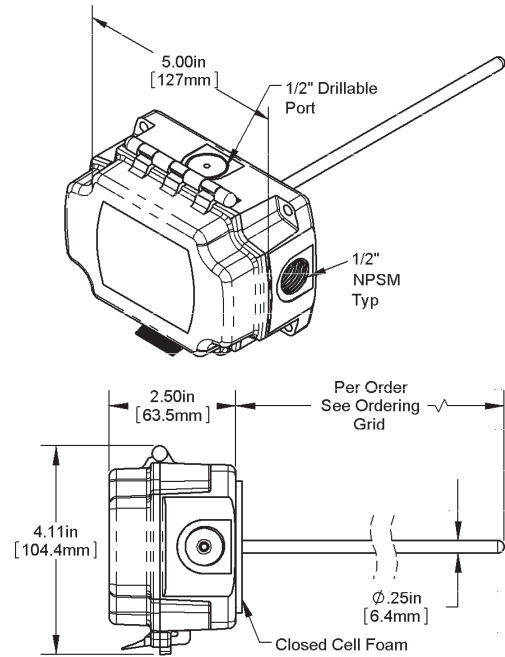
IP66, UV-Resistant Polycarbonate, UL94 V-0

### FREQUENCY:

2.4 GHz

### RECEIVER SENSITIVITY:

-97 dBm



BAPI-Box Units Calculated Battery Life**		
Transmit Interval	Sample Rate	Estimated Life (years)
30 sec	30 sec	1.04
1 min	1 min	1.95
3 min	1 min	3.46
5 min	5 min	4.63
10 min	5 min	7.02

\*In-building range is dependent on obstructions such as furniture and walls and the density of those materials. In wide open spaces, the distance may be greater; in dense spaces, the distance may be less.

\*\*Actual battery life is dependent on the sensor's adjustable settings and environmental conditions.

## ORDERING

PART NUMBER:	DESCRIPTION:	PRICE:
BA/WT-BLE-D-4-BB-BAT	Wireless Duct Temperature Sensor, 102mm Probe Length, Battery power	€ 335.00
BA/WT-BLE-D-8-BB-BAT	Wireless Duct Temperature Sensor, 203mm Probe Length, Battery power	€ 335.00
BA/WT-BLE-D-12-BB-BAT	Wireless Duct Temperature Sensor, 305mm Probe Length, Battery power	€ 335.00
BA/WT-BLE-D-18-BB-BAT	Wireless Duct Temperature Sensor, 457mm Probe Length, Battery power	€ 335.00
BA/WT-BLE-D-4-BB-PWR	Wireless Duct Temperature Sensor, 102mm Probe Length, Wire power	€ 335.00
BA/WT-BLE-D-8-BB-PWR	Wireless Duct Temperature Sensor, 203mm Probe Length, Wire power	€ 335.00
BA/WT-BLE-D-12-BB-PWR	Wireless Duct Temperature Sensor, 305mm Probe Length, Wire power	€ 335.00
BA/WT-BLE-D-18-BB-PWR	Wireless Duct Temperature Sensor, 457mm Probe Length, Wire power	€ 335.00

# DUCT TEMPERATURE/HUMIDITY SENSOR

## Wireless System

- User adjustable settings
- Onboard memory
- Transmits to a digital gateway or a wireless-to-analog receiver

BAPI's Duct Wireless Sensor measures environmental values and transmits the data via Bluetooth Low Energy to a receiver or gateway. This unit features a rugged IP66-rated BAPI-Box enclosure.



## SPECIFICATIONS

### BATTERY POWER:

Two included 3.6V 14505, 14500 or equivalent lithium batteries (Note: standard AA batteries are not compatible)

### WIRE POWER:

9 to 30 VDC or 24 VAC, halfwave rectified

### SENSOR ACCURACY:

Temperature:  $\pm 0.55^{\circ}\text{C}$  from 0 to  $70^{\circ}\text{C}$   
Humidity:  $\pm 2\% \text{RH}$  @  $25^{\circ}\text{C}$ , 20 to 80%RH

### TEMPERATURE RANGE:

-20 to  $105^{\circ}\text{C}$

### TRANSMISSION DISTANCE:

Varies by application\*

### ENVIRONMENTAL OPERATION RANGE:

Temperature: -20 to  $65^{\circ}\text{C}$   
Humidity: 10 to 90% RH, non-condensing

### USER ADJUSTABLE SETTINGS:

Delta T (Temperature):  $0.1^{\circ}\text{F}/^{\circ}\text{C}$  to  $5.0^{\circ}\text{F}/^{\circ}\text{C}$   
Delta T (Humidity):  $0.1\% \text{RH}$  to  $5.0\% \text{RH}$   
Transmit Interval: 30 second to 12 hour  
Sample Interval: 10 second to 5 minute  
Temperature Offset:  $\pm 0.1^{\circ}\text{F}/^{\circ}\text{C}$  to  $\pm 5.0^{\circ}\text{F}/^{\circ}\text{C}$   
Humidity Offset:  $\pm 0.1\% \text{RH}$  to  $\pm 5.0\% \text{RH}$

### ONBOARD MEMORY:

Sensor retains up to 16,000 readings should the communication become interrupted. If using the Gateway, the data is re-transmitted once communication is re-established.

### ENCLOSURE MATERIAL:

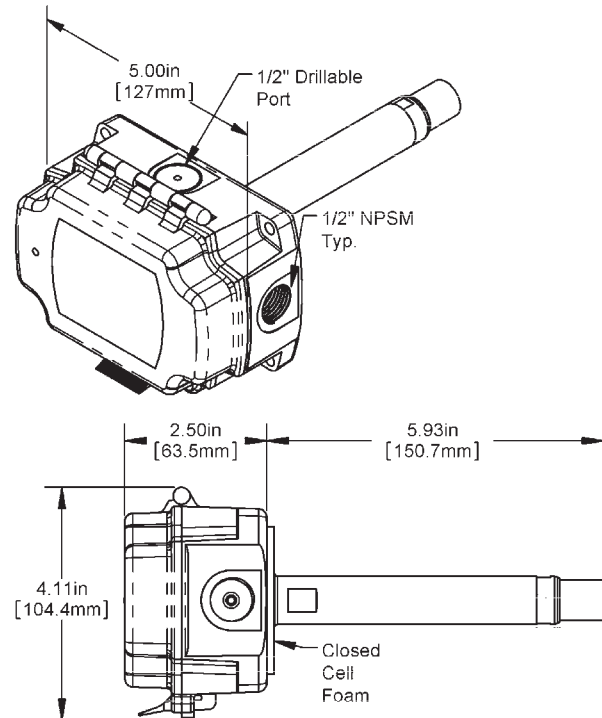
IP66, UV-Resistant Polycarbonate, UL94 V-0

### FREQUENCY:

2.4 GHz

### RECEIVER SENSITIVITY:

-97 dBm



BAPI-Box Units Calculated Battery Life**		
Transmit Interval	Sample Rate	Estimated Life (years)
30 sec	30 sec	1.04
1 min	1 min	1.95
3 min	1 min	3.46
5 min	5 min	4.63
10 min	5 min	7.02

\*In-building range is dependent on obstructions such as furniture and walls and the density of those materials. In wide open spaces, the distance may be greater; in dense spaces, the distance may be less.

\*\*Actual battery life is dependent on the sensor's adjustable settings and environmental conditions.

## ORDERING

PART NUMBER:	DESCRIPTION:	PRICE:
BA/WTH-BLE-D-BB-BAT	Wireless Duct Temperature & Humidity sensor, Battery power	€ 406.00
BA/WTH-BLE-QS-W-IS-BAT	Wireless Duct Temperature & Humidity sensor, Wire power	€ 406.00

# IMMERSION TEMPERATURE SENSOR

## Wireless System

- User adjustable settings
- Onboard memory
- Transmits to a digital gateway or a wireless-to-analog receiver

BAPI's Immersion Wireless Sensor measures the temperature and transmits the data via Bluetooth Low Energy to a receiver or gateway. This unit features a rugged IP66-rated BAPI-Box enclosure and 6.4mm stainless steel probe with standard probe lengths from 51 to 203mm.



## SPECIFICATIONS

### BATTERY POWER:

Two included 3.6V 14505, 14500 or equivalent lithium batteries (Note: standard AA batteries are not compatible)

### WIRE POWER:

9 to 30 VDC or 24 VAC, halfwave rectified

### SENSOR ACCURACY:

Temperature:  $\pm 0.55^{\circ}\text{C}$  from 0 to  $70^{\circ}\text{C}$

### TEMPERATURE RANGE:

-20 to  $105^{\circ}\text{C}$

### TRANSMISSION DISTANCE:

Varies by application\*

### ENVIRONMENTAL OPERATION RANGE:

Temperature: -20 to  $65^{\circ}\text{C}$   
Humidity: 10 to 90% RH, non-condensing

### USER ADJUSTABLE SETTINGS:

Delta T (Temperature):  $0.1^{\circ}\text{F}/\text{C}$  to  $5.0^{\circ}\text{F}/\text{C}$   
Transmit Interval: 30 second to 12 hour  
Sample Interval: 10 second to 5 minute  
Temperature Offset:  $\pm 0.1^{\circ}\text{F}/\text{C}$  to  $\pm 5.0^{\circ}\text{F}/\text{C}$

### ONBOARD MEMORY:

Sensor retains up to 16,000 readings should the communication become interrupted. If using the Gateway, the data is re-transmitted once communication is re-established.

### ENCLOSURE MATERIAL:

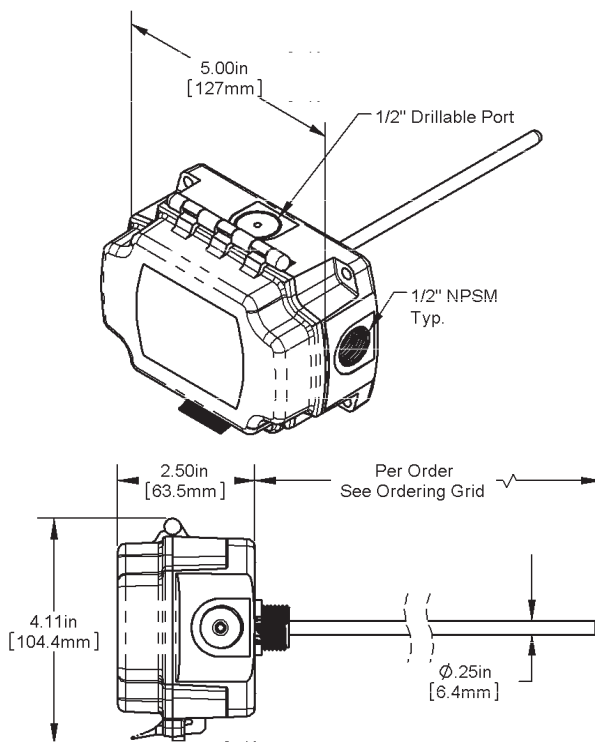
IP66, UV-Resistant Polycarbonate, UL94 V-0

### FREQUENCY:

2.4 GHz

### RECEIVER SENSITIVITY:

-97 dBm



BAPI-Box Units Calculated Battery Life**		
Transmit Interval	Sample Rate	Estimated Life (years)
30 sec	30 sec	1.04
1 min	1 min	1.95
3 min	1 min	3.46
5 min	5 min	4.63
10 min	5 min	7.02

\*In-building range is dependent on obstructions such as furniture and walls and the density of those materials. In wide open spaces, the distance may be greater; in dense spaces, the distance may be less.

\*\*Actual battery life is dependent on the sensor's adjustable settings and environmental conditions.

## ORDERING

PART NUMBER:	DESCRIPTION:	PRICE:
BA/WT-BLE-I-2-BB-BAT	Wireless Immersion Temperature Sensor, 51mm Probe Length, Battery power	€ 335.00
BA/WT-BLE-I-4-BB-BAT	Wireless Immersion Temperature Sensor, 102mm Probe Length, Battery power	€ 335.00
BA/WT-BLE-I-8-BB-BAT	Wireless Immersion Temperature Sensor, 203mm Probe Length, Battery power	€ 335.00
BA/WT-BLE-I-2-BB-PWR	Wireless Immersion Temperature Sensor, 51mm Probe Length, Wire power	€ 335.00
BA/WT-BLE-I-4-BB-PWR	Wireless Immersion Temperature Sensor, 102mm Probe Length, Wire power	€ 335.00
BA/WT-BLE-I-8-BB-PWR	Wireless Immersion Temperature Sensor, 203mm Probe Length, Wire power	€ 335.00

# REMOTE TEMPERATURE SENSOR

## Wireless System

- User adjustable settings
- Onboard memory
- Transmits to a digital gateway or a wireless-to-analog receiver

BAPI's Remote Probe Wireless Sensor measures the temperature and transmits the data via Bluetooth Low Energy to receiver or gateway. It features a 44mm stainless steel probe with either Plenum-Rated or FEP-jacketed Cable and an IP66-rated BAPI-Box enclosure. Five lead lengths from 1.5 to 7.6 m



## SPECIFICATIONS

### BATTERY POWER:

Two included 3.6V 14505, 14500 or equivalent lithium batteries

### WIRE POWER:

9 to 30 VDC or 24 VAC, halfwave rectified

### TEMPERATURE SENSOR RANGE & ACCURACY:

-20 to 105°C | ±0.95°C from 0 to 70°C

### TRANSMISSION DISTANCE:

Varies by application\*

### ENVIRONMENTAL OPERATION RANGE:

Temperature: -20 to 65°C  
Humidity: 10 to 90% RH, non-condensing

### FREQUENCY:

2.4 GHz

### RECEIVER SENSITIVITY:

-97 dBm

### ENCLOSURE MATERIAL:

ABS Plastic, UL94 V-0

### ONBOARD MEMORY:

Sensor retains up to 16,000 readings if communication becomes interrupted.

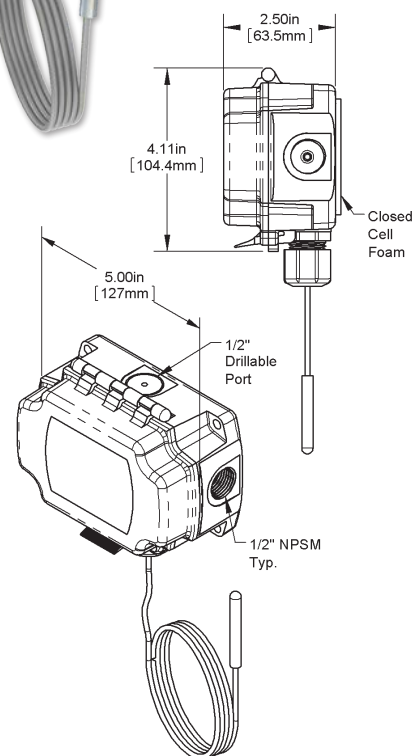
### USER ADJUSTABLE SETTINGS:

Delta T (Temperature): 0.1°F/C to 5.0°F/C  
Transmit Interval: 30 second to 12 hour  
Sample Interval: 10 second to 5 minute  
Temperature Offset: ±0.1°F/C to ±05.0°F/C

*\*In-building range is dependent on obstructions such as furniture and walls and the density of those materials. In wide open spaces, the distance may be greater; in dense spaces, the distance may be less.*

*\*\*Actual battery life is dependent on the sensor's adjustable settings and environmental conditions.*

BAPI-Box Units Calculated Battery Life**		
Transmit Interval	Sample Rate	Estimated Life (years)
30 sec	30 sec	1.04
1 min	1 min	1.95
3 min	1 min	3.46
5 min	5 min	4.63
10 min	5 min	7.02



## ORDERING

PART NUMBER:	DESCRIPTION:	PRICE:
BA/WT-BLE-RPP-5-BB-BAT	Wireless Remote Sensor w/ Plenum-Rated Cable, 1.5m Leads, Battery Power	€347.00
BA/WT-BLE-RPP-10-BB-BAT	Wireless Remote Sensor w/ Plenum-Rated Cable, 3.0m Leads, Battery Power	€349.00
BA/WT-BLE-RPP-15-BB-BAT	Wireless Remote Sensor w/ Plenum-Rated Cable, 4.6m Leads, Battery Power	€351.00
BA/WT-BLE-RPP-20-BB-BAT	Wireless Remote Sensor w/ Plenum-Rated Cable, 6.1m Leads, Battery Power	€353.00
BA/WT-BLE-RPP-25-BB-BAT	Wireless Remote Sensor w/ Plenum-Rated Cable, 7.6m Leads, Battery Power	€355.00
BA/WT-BLE-RPFEP-5-BB-BAT	Wireless Remote Sensor w/ FEP-Jacketed Cable, 1.5m Leads, Battery Power	€350.00
BA/WT-BLE-RPFEP-10-BB-BAT	Wireless Remote Sensor w/ FEP-Jacketed Cable, 3.0m Leads, Battery Power	€355.00
BA/WT-BLE-RPFEP-15-BB-BAT	Wireless Remote Sensor w/ FEP-Jacketed Cable, 4.6m Leads, Battery Power	€360.00
BA/WT-BLE-RPFEP-20-BB-BAT	Wireless Remote Sensor w/ FEP-Jacketed Cable, 6.1m Leads, Battery Power	€365.00
BA/WT-BLE-RPFEP-25-BB-BAT	Wireless Remote Sensor w/ FEP-Jacketed Cable, 7.6m Leads, Battery Power	€370.00
BA/WT-BLE-RPP-5-BB-PWR	Wireless Remote Sensor w/ Plenum-Rated Cable, 1.5m Leads, Wire Power	€347.00
BA/WT-BLE-RPP-10-BB-PWR	Wireless Remote Sensor w/ Plenum-Rated Cable, 3.0m Leads, Wire Power	€349.00
BA/WT-BLE-RPP-15-BB-PWR	Wireless Remote Sensor w/ Plenum-Rated Cable, 4.6m Leads, Wire Power	€351.00
BA/WT-BLE-RPP-20-BB-PWR	Wireless Remote Sensor w/ Plenum-Rated Cable, 6.1m Leads, Wire Power	€353.00
BA/WT-BLE-RPP-25-BB-PWR	Wireless Remote Sensor w/ Plenum-Rated Cable, 7.6m Leads, Wire Power	€355.00
BA/WT-BLE-RPFEP-5-BB-PWR	Wireless Remote Sensor w/ FEP-Jacketed Cable, 1.5m Leads, Wire Power	€350.00
BA/WT-BLE-RPFEP-10-BB-PWR	Wireless Remote Sensor w/ FEP-Jacketed Cable, 3.0m Leads, Wire Power	€355.00
BA/WT-BLE-RPFEP-15-BB-PWR	Wireless Remote Sensor w/ FEP-Jacketed Cable, 4.6m Leads, Wire Power	€360.00
BA/WT-BLE-RPFEP-20-BB-PWR	Wireless Remote Sensor w/ FEP-Jacketed Cable, 6.1m Leads, Wire Power	€365.00
BA/WT-BLE-RPFEP-25-BB-PWR	Wireless Remote Sensor w/ FEP-Jacketed Cable, 7.6m Leads, Wire Power	€370.00

# THERMOBUFFER TEMPERATURE SENSOR

## Wireless System

- User adjustable settings
- Onboard memory
- Transmits to a digital Gateway or a wireless-to-analog Receiver

BAPI's Wireless Thermobuffer Sensor is designed for freezers and coolers. It measures the temperature and transmits the data via Bluetooth Low Energy to a receiver or gateway. It features a stainless steel thermobuffer hanging bracket probe with an IP66-rated BAPI-Box enclosure and FEP-Jacketed cable in 1.5 or 3.0m length.



## SPECIFICATIONS

### BATTERY POWER:

Two included 3.6V 14505, 14500 or equivalent lithium batteries (Note: standard AA batteries are not compatible)

### WIRE POWER:

9 to 30 VDC or 24 VAC, halfwave rectified

### TEMPERATURE SENSOR ACCURACY:

±0.95°C from 0 to 70°C

### TEMPERATURE RANGE:

-20 to 105°C

### TRANSMISSION DISTANCE:

Varies by application\*

### ENVIRONMENTAL OPERATION RANGE:

Temperature: -20 to 65°C  
Humidity: 10 to 90% RH, non-condensing

### USER ADJUSTABLE SETTINGS:

Delta T (Temperature): 0.1°F/C to 5.0°F/C  
Transmit Interval: 30 second to 12 hour  
Sample Interval: 10 second to 5 minute  
Temperature Offset: ±0.1°F/C to ±0.5°F/C

### ONBOARD MEMORY:

Sensor retains up to 16,000 readings should the communication become interrupted. If using the Gateway, the data is re-transmitted once communication is re-established.

### ENCLOSURE MATERIAL:

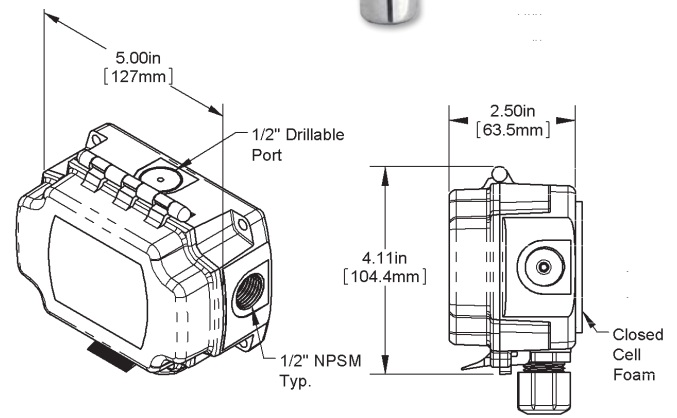
ABS Plastic, UL94 V-0

### FREQUENCY:

2.4 GHz

### RECEIVER SENSITIVITY:

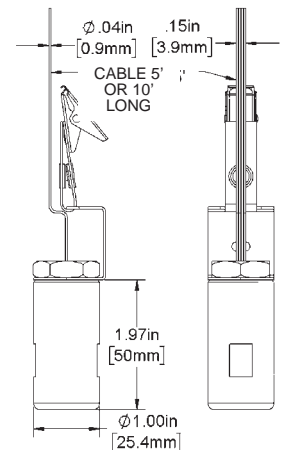
-97 dBm



BAPI-Box Units Calculated Battery Life**		
Transmit Interval	Sample Rate	Estimated Life (years)
30 sec	30 sec	1.04
1 min	1 min	1.95
3 min	1 min	3.46
5 min	5 min	4.63
10 min	5 min	7.02

\*In-building range is dependent on obstructions such as furniture and walls and the density of those materials. In wide open spaces, the distance may be greater; in dense spaces, the distance may be less.

\*\*Actual battery life is dependent on the sensor's adjustable settings and environmental conditions.



WIRELESS

## ORDERING

PART NUMBER:	DESCRIPTION:	PRICE:
BA/WT-BLE-TB-M304-1-HB-5-BB-BAT	Wireless Thermobuffer Sensor, 25mm 304 SS Hanging Bracket w/ 1.5m FEP-Jacketed Cable, Battery Power	€376.69
BA/WT-BLE-TB-M304-1-HB-10-BB-BAT	Wireless Thermobuffer Sensor, 25mm 304 SS Hanging Bracket w/ 3m FEP-Jacketed Cable, Battery Power	€381.00
BA/WT-BLE-TB-M304-1-HB-5-BB-PWR	Wireless Thermobuffer Sensor, 25mm 304 SS Hanging Bracket w/ 1.5m FEP-Jacketed Cable, Wire Power	€376.69
BA/WT-BLE-TB-M304-1-HB-10-BB-PWR	Wireless Thermobuffer Sensor, 25mm 304 SS Hanging Bracket w/ 1.5m FEP-Jacketed Cable, Wire Power	€381.00

# OUTSIDE AIR TEMPERATURE SENSOR

## Wireless System

- Included barometric pressure sensor and optional light level sensor
- User adjustable settings
- Onboard memory
- Transmits to a digital gateway or a wireless-to-analog receiver

BAPI's Outside Air Wireless Sensor measures environmental values and transmits the data via Bluetooth Low Energy to a receiver or gateway. This unit features a rugged IP66-rated BAPI-Box enclosure with a UV-resistant plastic shield. It is available with optional light level sensing.



## SPECIFICATIONS

### BATTERY POWER:

Two included 3.6V 14505, 14500 or equivalent lithium batteries (Note: standard AA batteries are not compatible)

### WIRE POWER:

9 to 30 VDC or 24 VAC, halfwave rectified

### SENSOR ACCURACY:

Temperature:  $\pm 0.55^{\circ}\text{C}$  from 0 to  $70^{\circ}\text{C}$   
 Barometric Pressure:  $\pm 2$  mbar @  $25^{\circ}\text{C}$  (0.40"H<sub>2</sub>O)  
 Light Level: 10 Lux + 10% of reading

### TEMPERATURE RANGE:

-20 to  $105^{\circ}\text{C}$

### LIGHT LEVEL SENSING RANGE:

0 to 64,000 lux

### TRANSMISSION DISTANCE:

Varies by application\*

### ENVIRONMENTAL OPERATION RANGE:

Temperature: -20 to  $65^{\circ}\text{C}$   
 Humidity: 10 to 90% RH, non-condensing

### USER ADJUSTABLE SETTINGS:

Delta T (Temperature):  $0.1^{\circ}\text{F}/^{\circ}\text{C}$  to  $5.0^{\circ}\text{F}/^{\circ}\text{C}$   
 Transmit Interval: 30 second to 12 hour  
 Sample Interval: 10 second to 5 minute  
 Temperature Offset:  $\pm 0.1^{\circ}\text{F}/^{\circ}\text{C}$  to  $\pm 3.0^{\circ}\text{F}/^{\circ}\text{C}$

### ONBOARD MEMORY:

Sensor retains up to 16,000 readings should the communication become interrupted. If using the Gateway, the data is re-transmitted once communication is re-established.

### FREQUENCY:

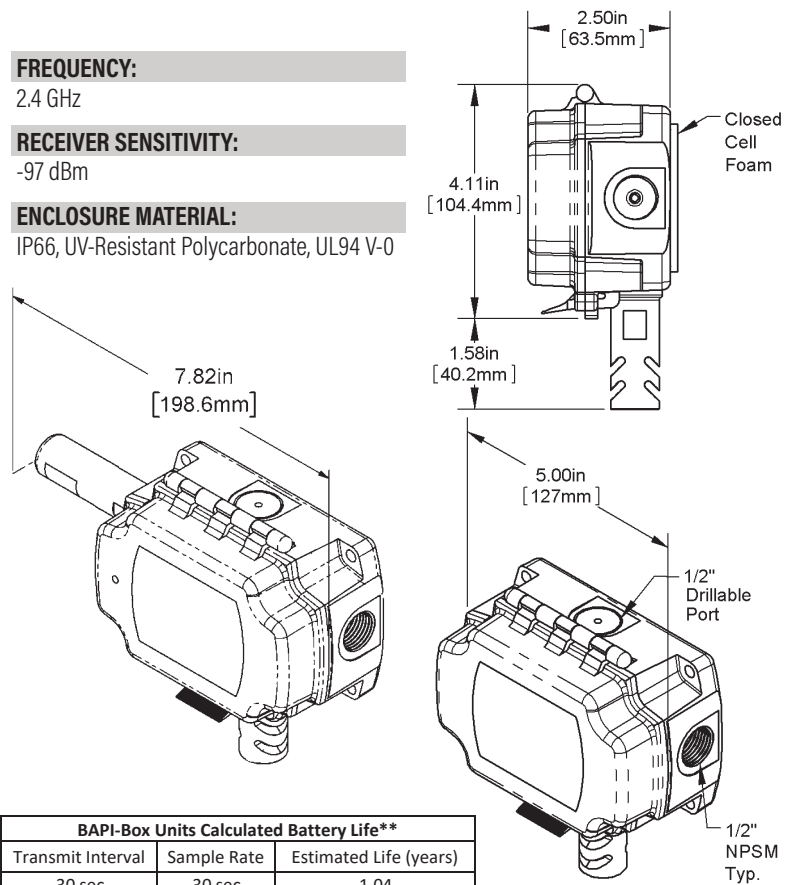
2.4 GHz

### RECEIVER SENSITIVITY:

-97 dBm

### ENCLOSURE MATERIAL:

IP66, UV-Resistant Polycarbonate, UL94 V-0



BAPI-Box Units Calculated Battery Life**		
Transmit Interval	Sample Rate	Estimated Life (years)
30 sec	30 sec	1.04
1 min	1 min	1.95
3 min	1 min	3.46
5 min	5 min	4.63
10 min	5 min	7.02

\*In-building range is dependent on obstructions such as furniture and walls and the density of those materials. In wide open spaces, the distance may be greater; in dense spaces, the distance may be less.

\*\*Actual battery life is dependent on the sensor's adjustable settings and environmental conditions.

## ORDERING

PART NUMBER:	DESCRIPTION:	PRICE:
BA/WT-BLE-O-BB-BAT	Wireless Outside Air Temperature and Barometric Pressure Sensor, Battery power	€288.77
BA/WT-BLE-LL-O-BB-BAT	Wireless Outside Air Temperature, Light Level and Barometric Pressure Sensor, Battery power	€318.94
BA/WT-BLE-O-BB-PWR	Wireless Outside Air Temperature and Barometric Pressure Sensor, Wire power	€288.77
BA/WT-BLE-LL-O-BB-PWR	Wireless Outside Air Temperature, Light Level and Barometric Pressure Sensor, Wire power	€318.94

# OUTSIDE AIR TEMP/HUMIDITY SENSOR

## Wireless System

- Included Barometric pressure sensor and optional light level sensor
- User adjustable settings
- Onboard memory
- Transmits to a digital gateway or a wireless-to-analog receiver

BAPI's Immersion Wireless Sensor measures the environmental values and transmits the data via Bluetooth Low Energy to a receiver or gateway. This unit features a rugged IP66-rated BAPI-Box enclosure with a UV-resistant plastic shield. It is available with optional light level sensing.



## SPECIFICATIONS

### BATTERY POWER:

Two included 3.6V 14505, 14500 or equivalent lithium batteries (Note: standard AA batteries are not compatible)

### WIRE POWER:

9 to 30 VDC or 24 VAC, halfwave rectified

### SENSOR ACCURACY:

Temperature:  $\pm 0.55^{\circ}\text{C}$  from 0 to  $70^{\circ}\text{C}$   
 Humidity:  $\pm 2\% \text{RH}$  @  $25^{\circ}\text{C}$ , 20 to 80%RH  
 Barometric Pressure:  $\pm 2 \text{ mbar}$  @  $25^{\circ}\text{C}$  (0.40"H2O)  
 Light Level: 10 Lux + 10% of reading

### TEMPERATURE RANGE:

-20 to  $105^{\circ}\text{C}$

### LIGHT LEVEL SENSING RANGE:

0 to 64,000 lux

### TRANSMISSION DISTANCE:

Varies by application\*

### ENVIRONMENTAL OPERATION RANGE:

Temperature: -20 to  $65^{\circ}\text{C}$   
 Humidity: 10 to 90% RH, non-condensing

### USER ADJUSTABLE SETTINGS:

Delta T (Temperature):  $0.1^{\circ}\text{F}/\text{C}$  to  $5.0^{\circ}\text{F}/\text{C}$   
 Delta T (Humidity): 0.1%RH to 5.0%RH  
 Transmit Interval: 30 second to 12 hour  
 Sample Interval: 10 second to 5 minute  
 Temperature Offset:  $\pm 0.1^{\circ}\text{F}/\text{C}$  to  $\pm 3.0^{\circ}\text{F}/\text{C}$   
 Humidity Offset:  $\pm 0.1\% \text{RH}$  to  $\pm 3.0\% \text{RH}$

### ONBOARD MEMORY:

Sensor retains up to 16,000 readings should the communication become interrupted. If using the Gateway, the data is re-transmitted once communication is re-established.

### ENCLOSURE MATERIAL:

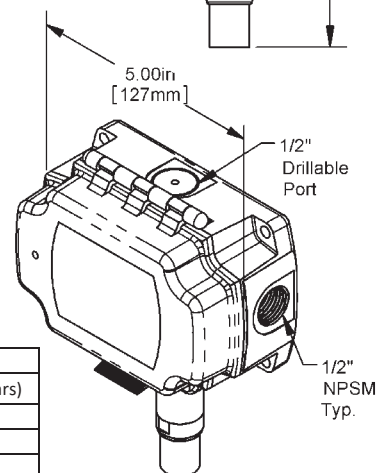
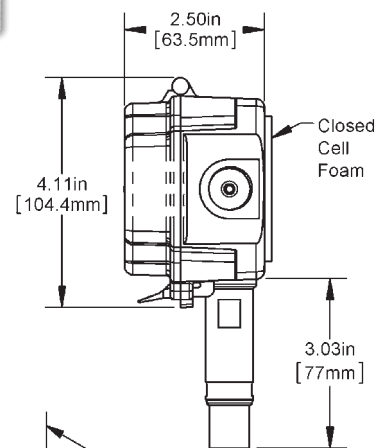
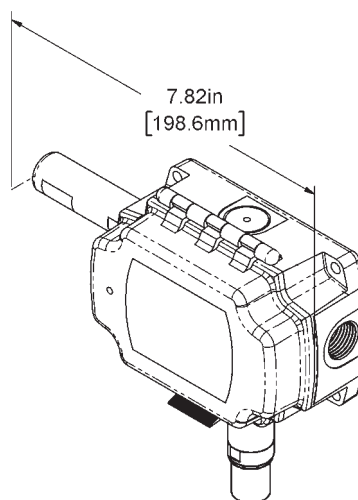
IP66, UV-Resistant Polycarbonate, UL94 V-0

### FREQUENCY:

2.4 GHz

### RECEIVER SENSITIVITY:

-97 dBm



BAPI-Box Units Calculated Battery Life**		
Transmit Interval	Sample Rate	Estimated Life (years)
30 sec	30 sec	1.04
1 min	1 min	1.95
3 min	1 min	3.46
5 min	5 min	4.63
10 min	5 min	7.02

\*In-building range is dependent on obstructions such as furniture and walls and the density of those materials. In wide open spaces, the distance may be greater; in dense spaces, the distance may be less.

\*\*Actual battery life is dependent on the sensor's adjustable settings and environmental conditions.

WIRELESS

## ORDERING

PART NUMBER:	DESCRIPTION:	PRICE:
BA/WTH-BLE-O-BB-BAT	Wireless Outside Air Temperature/Humidity and Barometric Pressure Sensor, Battery power	€349.97
BA/WTH-BLE-LL-O-BB-BAT	Wireless Outside Air Temperature/Humidity, Light Level and Barometric Pressure Sensor, Battery power	€380.14
BA/WTH-BLE-O-BB-PWR	Wireless Outside Air Temperature/Humidity and Barometric Pressure Sensor, Wire power	€349.97
BA/WTH-BLE-LL-O-BB-PWR	Wireless Outside Air Temperature/Humidity, Light Level and Barometric Pressure Sensor, Wire power	€380.14

# WIRELESS FOOD TEMPERATURE PROBE

## Wireless System

- NSF certified with food and dishwasher safe materials
- User adjustable settings
- Onboard memory
- Transmits to a digital gateway or a wireless-to-analog receiver



BAPI's Wireless Food Probe measures the temperature and transmits the data via Bluetooth Low Energy to a receiver or gateway. The food probes eliminate the need for an employee to hand record the temperatures with a thermometer for HACCP compliance. Bin clips are available to fit most food bins. The probe is designed for dishwasher or hand washing.

Because the probes are designed for wet, dusty or dirty environments, there are many additional applications including cooling towers, steam humidifiers or wet conveyors.

## SPECIFICATIONS

### BATTERY POWER:

One included Lithium 1/2AA Battery, 3.6V

### TEMPERATURE SENSOR ACCURACY:

(Calibrated using NIST traceable reference)  
 $\pm 0.4^{\circ}\text{C}$  from 0 to  $70^{\circ}\text{C}$  |  $\pm 1.0^{\circ}\text{C}$  from 70 to  $100^{\circ}\text{C}$

### TEMPERATURE RANGE:

-20 to  $105^{\circ}\text{C}$

### TRANSMISSION DISTANCE:

Varies by application\*

### ENVIRONMENTAL OPERATION RANGE:

Probe Only: -20 to  $110^{\circ}\text{C}$   
 Entire Unit: -40 to  $85^{\circ}\text{C}$   
 Washing Spike Temperature:  $100^{\circ}\text{C}$   
 Humidity: 0 to 100% RH, condensing

### USER ADJUSTABLE SETTINGS:

Delta T (Temperature):  $0.1^{\circ}\text{F}/^{\circ}\text{C}$  to  $5.0^{\circ}\text{F}/^{\circ}\text{C}$   
 Transmit Interval: 30 second to 12 hour  
 Sample Interval: 10 second to 5 minute  
 Temperature Offset:  $\pm 0.1^{\circ}\text{F}/^{\circ}\text{C}$  to  $\pm 5.0^{\circ}\text{F}/^{\circ}\text{C}$

### ONBOARD MEMORY:

Sensor retains up to 16,000 readings should the communication become interrupted. If using the Gateway, the data is re-transmitted once communication is re-established.

### FREQUENCY:

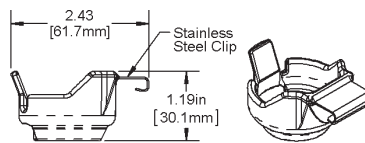
2.4 GHz

### RECEIVER SENSITIVITY:

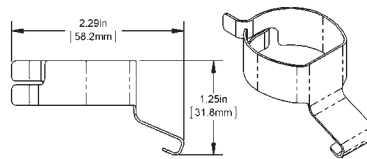
-97 dBm

### MATERIAL:

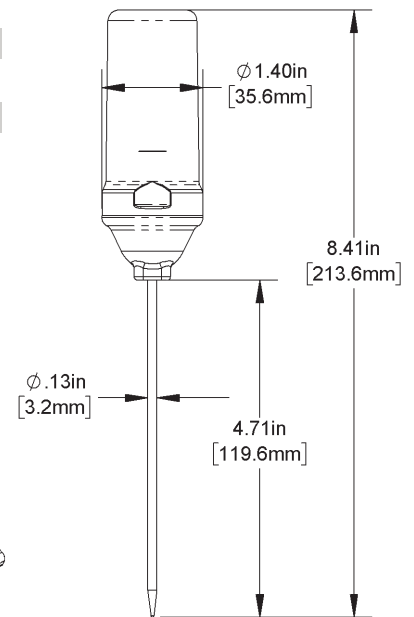
Food Safe Plastic Enclosure  
 04 Stainless Steel Probe



Plastic Bin Clip



Metal Bin Clip



*\*In-building range is dependent on obstructions such as furniture and walls and the density of those materials. In wide open spaces, the distance may be greater; in dense spaces, the distance may be less.*

*\*\*Actual battery life is dependent on the sensor's adjustable settings and environmental conditions.*

Food Probe Calculated Battery Life <sup>3</sup>		
Transmit Interval	Sample Rate	Estimated Life (years)
30 sec	30 sec	0.25
1 min	1 min	0.42
3 min	1 min	0.55
5 min	5 min	1.45
10 min	5 min	1.96

WIRELESS

## ORDERING

### Wireless Food Temperature Probe

PART NUMBER:	DESCRIPTION:	PRICE:
BA/WFP-BLE-PT	Wireless Food Temperature Probe	€258.60

### Bin Clips for Wireless Food Probes

PART NUMBER:	DESCRIPTION:	PRICE:
BA/FP-CLP4	Fixed Depth Clip for Stainless Steel Square Food Bins (Black Plastic)	€12.93
BA/FP-CLP5	Fixed Depth Clip for Plastic Square Food Bins (Amber Plastic)	€12.93
BA/FP-CLP6	Adjustable Depth Clip for Plastic Square Food Bins	€21.55
BA/FP-CLP7	Adjustable Depth Clip for Stainless Steel Square Food Bins	€12.93
BA/FP-CLP-KIT	Clip Kit (includes 1 of each of BA/FP-CLP4, BA/FP-CLP5, BA/FP-CLP6, BA/FP-CLP7)	€64.65

# REPLACEMENT BATTERY FOR WIRELESS FOOD PROBE SENSOR

## Wireless System

The BA/BAT-5AA-HIT High Temperature Lithium 1/2AA battery is the ideal replacement for the BAPI Bluetooth Low Energy Wireless Food Probe sensor. Each food probe takes one battery.



## ORDERING

PART NUMBER:	DESCRIPTION:	PRICE:
BA/BAT-5AA-HIT	Lithium 1/2AA Battery, 3.6V, for the BAPI Bluetooth Low Energy Wireless Food Probe	€ 5.17

# REPLACEMENT BATTERY FOR WIRELESS SENSORS

## Wireless System

The BA/LI14505 Lithium AA battery is the ideal replacement for all BAPI Bluetooth Low Energy wireless sensors (except the Wireless Food Probe). Each unit takes two batteries, except the BAPI-Stat "Quantum Slim" which takes only one battery.



## ORDERING

PART NUMBER:	DESCRIPTION:	PRICE:
BA/LI14505	Lithium AA Battery, 3.6V, for all BAPI Bluetooth Low Energy Wireless sensors except the Wireless Food Probe	€ 2.59

WIRELESS

# PLUGGABLE TERMINAL BLOCK KIT FOR WIRELESS ANALOG OUTPUT MODULES

## Wireless System

Analog Output Modules (AOMs) plug into each other and the receiver. However, the AOMs may also be mounted remotely using the optional Pluggable Terminal Block Connectors which are available as a 4-connector kit.



Optional Pluggable Terminal Block Kit for AOMs (4 Connectors)

## ORDERING

PART NUMBER:	DESCRIPTION:	PRICE:
BA/AOM-CONN	Pluggable Terminal Block Kit	€ 12.93



# VC350A EZ VOLTAGE CONVERTER

## Accessories for HVAC/R

- Self-resetting thermal fuse
- Operation & fault LED indicators
- Output protected against overload and accidental shorting
- Adjustable 5 to 24 VDC output

ANOTHER ORIGINAL



BAPI's VC350A-EZ is a cost-effective way of converting 24 VAC or VDC to 5, 12, 15 or 24 VDC for use on peripheral devices that require DC voltage. The converter is available with a 350 mA output. The revolutionary mounting system allows for DIN rail or surface mounting.

Although most BAPI room units can run on 24 VAC power, converting to DC power eliminates the AC power "noise" which can affect the room sensor readings. The adjustable model (-ADJ) has an output of 5 to 24 VDC.



## SPECIFICATIONS

### OUTPUT VOLTAGE:

5 to 24 VDC @ 350 mA

### RECOMMENDED INPUT VOLTAGE:

18 to 28 VAC, 24 VDC (15 VA)

### ENVIRONMENTAL OPERATING RANGE:

Humidity: 0 to 95% RH, non-condensing

Temperature: -40 to 65°C: 350 mA @ any output voltage

-40 to 70°C: 350 mA @ 5 VDC

330 mA @ 10 VDC

280 mA @ 12 VDC

224 mA @ 15 VDC

140 mA @ 24 VDC

### ENVIRONMENTAL STORAGE RANGE:

-40 to 80°C

### WIRING:

4 wires, 16 to 22 gauge

### RECTIFICATION:

Half-wave rectified

### GROUNDING:

AC & DC Ground are Common

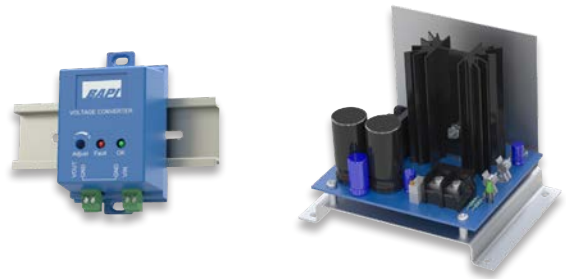
### INPUT VOLTAGE LIMITS:

Output Of Unit	Minimum (VAC/VDC)	Maximum (VAC/VDC)	Input Current@ Min Input Volts (AC/DC)
5V	5.0/9.0	28.0/35.0	5.2 VA/305 mA
10V	10.0/14.7	28.0/35.0	8.3 VA/315 mA
12V	12.0/16.9	28.0/35.0	9.5 VA/318 mA
15V	15.0/20.5	28.0/35.0	11.2 VA/320 mA
24V	24.0/31.0	28.0/35.0	16.7 VA/325 mA

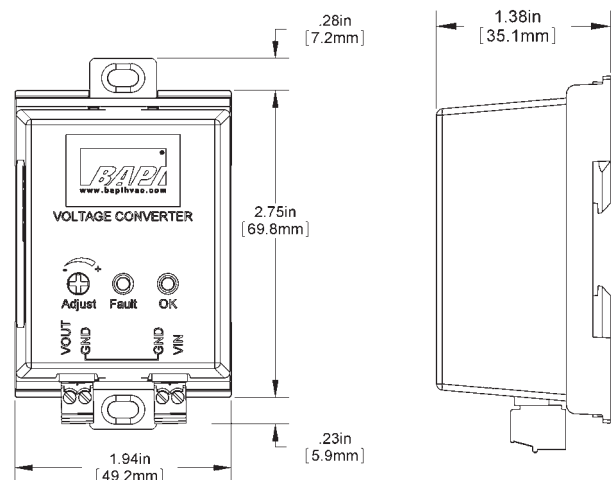
### APPLICATION NOTE:

## Why use DC instead of AC power

Most modern HVAC control systems have 24 VAC available, and most of BAPI's products can run on 24VAC, yet BAPI recommends powering them with DC voltage. Why? Read our app note to find out.



Visit [www.bapihvac.com/application\\_note](http://www.bapihvac.com/application_note) to learn more.



## ORDERING

PART NUMBER:	DESCRIPTION:	PRICE:
BA/VC350A-EZ-ADJ	Adjustable Voltage Converter, DIN Rail Mount, Self-Resetting Thermal Fuse with Operation and Fault LED indicators, Fixed or Adjustable Outputs, Overload Protection	€ 45.60

# VC2000 VOLTAGE CONVERTER

## Accessories for HVAC/R

- Compact and cost-effective
- Regulated and adjustable 1.2 VDC to 24 VDC output
- Output protected against overload and accidental short circuit

BAPI's VC2000 Voltage Converters are accurate, rugged and reliable power sources designed for commercial energy management applications.

The 2 Amp Voltage Converter accepts a 24 VAC input which can be field adjusted to a regulated output of 1.2 VDC to 24 VDC (factory set for 24 VDC). The input can be field configured for full or half wave rectification. The unit includes an output fuse to protect against overload and short circuits, a power indication LED, and is available with or without a backplate on the steel mounting bracket. Self-resetting or cartridge fuses may be specified at the time of order.



## SPECIFICATIONS

### INPUT VOLTAGE RANGE:

24 VAC (100 VA)

### FUSE PROTECTION:

4 Amp, output side

### OUTPUT VOLTAGE RANGE:

1.2 VDC to 24 VDC

### MAXIMUM OUTPUT CURRENT:

2.0 Amps

### ENVIRONMENTAL OPERATING RANGE:

Temperature: -40 to 70°C

### RECTIFICATION:

Field Selectable as Full or Half Wave

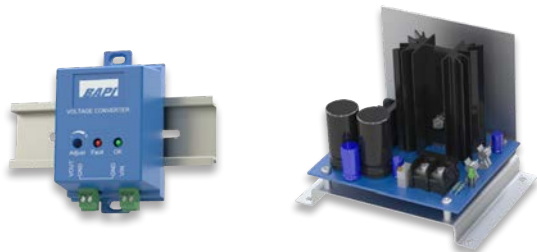
### WIRING:

16 to 22 AWG

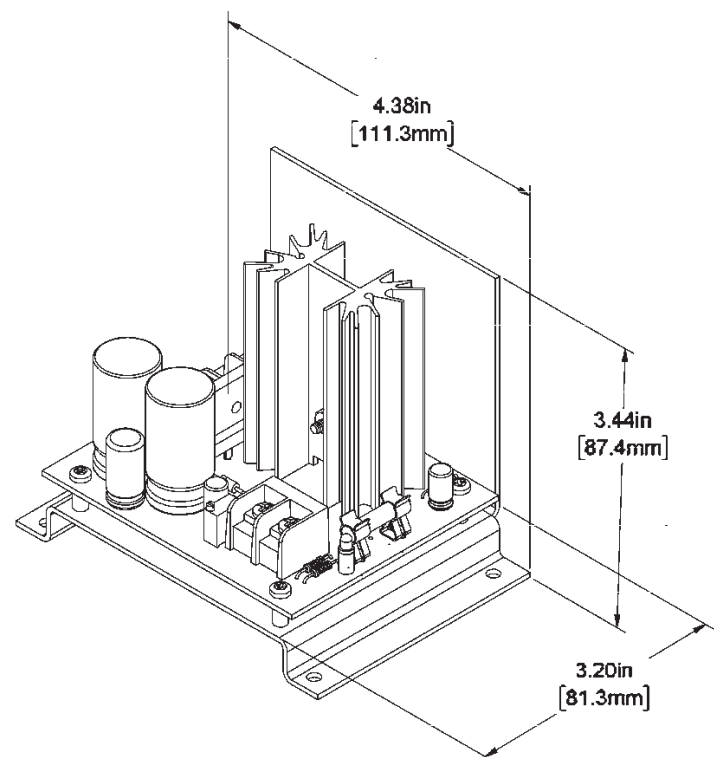
### APPLICATION NOTE:

## Why use DC instead of AC power

Most modern HVAC control systems have 24 VAC available, and most of BAPI's products can run on 24VAC, yet BAPI recommends powering them with DC voltage. Why? Read our app note to find out.



Visit [www.bapihvac.com/application\\_note](http://www.bapihvac.com/application_note) to learn more.



ACCESSORIES

## ORDERING

PART NUMBER:	DESCRIPTION:	PRICE:
BA/VC2B-F	Backplate with Cartridge Fuse, Regulated and Adjustable Output 1.2V DC to 24V DC, Overload Protection	€ 103.45

# POWER DISTRIBUTION MODULE

## Accessories for HVAC/R

- 5 circuit power distribution
- 12 to 30 VAC/VDC operation
- Individual circuit power switches
- Power and fault LED's
- Individual 3 Amp circuit protection



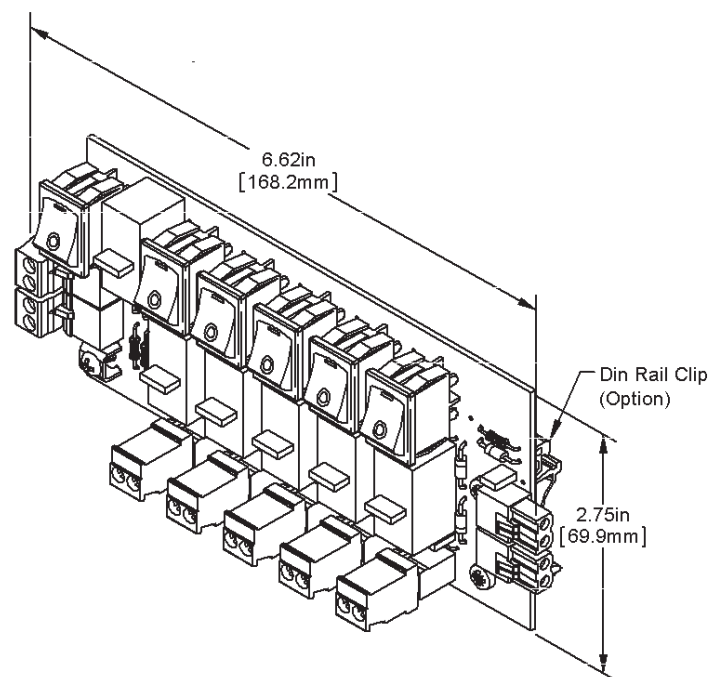
The PDM - Power Distribution Module is a low voltage (12 to 30 VAC/VDC) power distribution module designed to take a single power source and distribute that power to 5 individual circuits. Units can be linked together to achieve additional circuits with a minimum of panel space.

A common module On/Off switch and 10 amp breaker powers the distributed circuits. Each circuit has an individual On/Off switch and individual field connection terminals. The PDM has individual circuit protection with a 3 amp breaker and an individual power LED and fault LED per circuit.



## SPECIFICATIONS

<b>SUPPLY VOLTAGE:</b>	
12 to 30 VAC/VDC 10 amps max	
<b>CIRCUIT DISTRIBUTION:</b>	
5 circuits	
<b>CIRCUIT PROTECTION:</b>	
Master Breaker	10 amp, push to reset
Individual Breaker	3 amp, push to reset
<b>VISUAL INDICATORS:</b>	
Power	Green LED, master & individual
Fault	Red LED, master & individual
<b>ON/OFF SWITCHING:</b>	
Master	Common rocker switch
Circuit	Individual rocker switch
<b>CONNECTION:</b>	
Plug in terminal strip	
Cage clamp, 28-12 AWG	
<b>MOUNTING:</b>	
70mm Snaptrack	
Module to module close connection	
<b>ENVIRONMENTAL OPERATING RANGE:</b>	
Temperature: -40 to 70°C	



ACCESSORIES

## ORDERING

PART NUMBER:	DESCRIPTION:	PRICE:
BA/PDM-5-B	Five Circuit Power Distribution Module, w/ Breaker	€ 313.75

# DOOR MONITOR ALARM

## Specialty Sensor for HVAC/R



- For use with Normally Closed (NC) door switches
- Door status LEDs
- Two auxiliary relays with status LEDs
- Audible annunciator
- User selectable time periods

The BAPI Door Monitor Alarm (DMA) monitors a door switch to alert personnel when the door is closed, open or has exceeded its user-selectable open time period. Green, amber and red LEDs on the face of the unit alert nearby personnel the door's status.

Leaving the door open for longer than the user-selected time will also energize an internal audible annunciator to alert nearby personnel that the door should be closed immediately. The unit also has two auxiliary relays that will energize whenever the door is opened to alert other user-supplied warning devices or a building automation system.

A green LED inside the unit illuminates whenever power is present and red LEDs inside the illuminate when the auxiliary relays are energized to assist with installation and troubleshooting.

## SPECIFICATIONS

### POWER:

24 VAC or 24 VDC (UL listed class 2 power source only)

### POWER CONSUMPTION (MAX):

7.5 VA @ 24 VAC, 200 mA @ 24 VDC

### SENSOR:

Normally Closed (NC) = door open is alarm condition  
Normally Open (NO) = door closed in alarm condition

### AUXILIARY RELAY CONTACT RATING:

1.0 Amp @ 30 VAC/VDC

### AUDIBLE ANNUNCIATOR:

90 dB; 2,730 Hz

### WIRING:

16 to 22 AWG

### ENVIRONMENTAL OPERATING RANGE:

Temperature: 32 to 140°F (0 to 60°C)  
Humidity: 5 to 95% RH, non-condensing

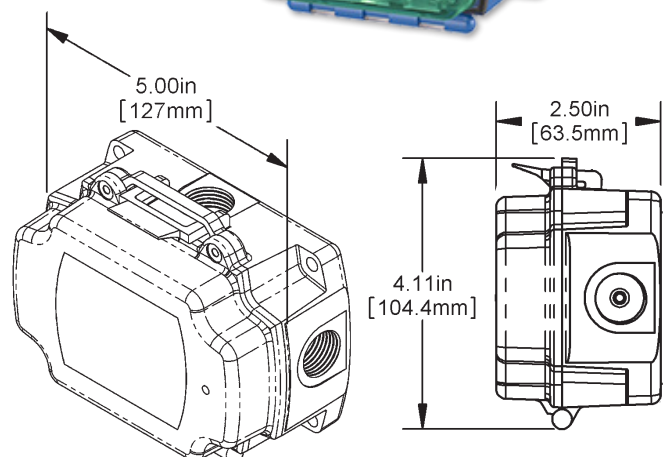
### ENCLOSURE MATERIAL & RATING:

UV-resistant polycarbonate, UL94 V-0

### ENCLOSURE RATING:

IP66

Amber Status, Red Status and Green Status



ACCESSORIES

## ORDERING

PART NUMBER:	DESCRIPTION:	PRICE:
BA/DMA	Door Monitor Alarm, User Selectable Time Periods with Two Auxiliary Relays and LED Indication	€ 693.90
BA/DMA-RSW1	Press Fit Magnetic Contact, 19mm diameter	€ 8.60
BA/DMA-RSW2	Mechanical Surface Mount Switch, 64mm length	€ 27.60

**NOTE:** Grey shaded items follow the Buy and Resale Multiplier.

# WATER LEAK DETECTOR

## Accessories for HVAC/R

- Detection within 5 seconds with local alarm indication
- Two 5 amp relays @ 30 VAC/DC
- Attached, remote or rope sensor design
- IP66-rated enclosure

The Water Leak Detector is designed to sense the presence of water and alert a central monitoring system of the potentially destructive situation. Upon water detection, the alarm relays change state, and a local red LED illuminates. The unit can be set for latching or non-latching alarm, and normally energized or normally de-energized operation.



## SPECIFICATIONS

### POWER: (Half-wave rectified)

24 VAC  $\pm 10\%$ , 3.9 VA max @ 24 VAC, 90mA max @ 24 VDC (reverse polarity protected) NOTE: This unit doesn't require a separate isolation power supply

### WIRING:

Screw Terminals: 2 to 3 pairs 12 to 22 AWG  
 Water Detection Sensor: 2 wires (provided)  
 Optional Flex Connector or Liquid Tight Fitting for strain relief

### SENSOR:

Attached: SS probe w/ adjustable depth screw from 1.6 to 21.34mm  
 Remote: Pan mount w/ adjustable depth from 1.57 to 12.7mm  
 Rope: Plenum Rated sensor cable, detects 3.175mm of water.

### ALARM CONTACTS:

Two SPDT, 5amp relays

### LOCAL INDICATION:

1 Green Power LED, 1 Red Alarm LED

### RESET ACTION:

If latching, local pushbutton or power interrupt

### ENCLOSURE MATERIALS & RATINGS:

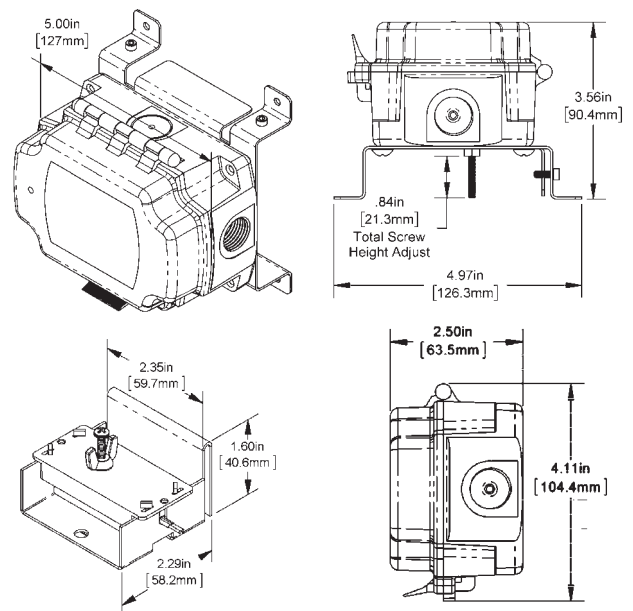
Remote Sensor: Submersible, with FEP plenum-rated, waterproof cable  
 Detector: BAPI-Box, IP66 polycarbonate enclosure

### ENVIRONMENTAL OPERATING RANGE:

Remote Sensor: -20 to 70°C, 0 to 100% RH, condensing  
 Rope Sensor: 0 to 75°C, 0 to 95% RH, non-condensing  
 Detector (BB): -20 to 70°C, 0 to 95% RH, non-condensing

### LATCHING AND SUPERVISED RELAY OPTIONS:

Latching: Relays stay in alarm until manually reset or power is cycled  
 Non-Latching: Relays automatically reset after water is removed (default)  
 Unsupervised: Relays energize on water detection  
 Supervised: Relays de-energize on water detection (default)  
 Note: Relays de-energize on loss of power



ACCESSORIES

## ORDERING

PART NUMBER:	DESCRIPTION:	PRICE:
BA/LDT4-PS-BB	Transmitter with Two SPDT 5A Contacts, Probe Sensor Built into IP66 BAPI-Box	€ 210.40
BA/LDT4-RR10-BB	Transmitter with Two SPDT 5A Contacts, IP66 BAPI-Box, Remote Rope Sensor with 3m Cable	€ 332.75
BA/LDT4-RR25-BB	Transmitter with Two SPDT 5A Contacts, IP66 BAPI-Box, Remote Rope Sensor with 76m Cable	€ 547.45
BA/LDT4-RR50-BB	Transmitter with Two SPDT 5A Contacts, IP66 BAPI-Box, Remote Rope Sensor with 15.2m Cable	€ 906.05
BA/LDT4-RR100-BB	Transmitter with Two SPDT 5A Contacts, IP66 BAPI-Box, Remote Rope Sensor with 30.5m Cable	€ 1,623.30
BA/LDT4-RS25-BB	Transmitter with Two SPDT 5A Contacts, IP66 BAPI-Box, Remote Spot Sensor with 76m Cable	€ 231.05
BA/LDT-RR-MB	Rope Sensor Mounting Bracket, 25 pack	€ 94.80

NOTE: Grey shaded items follow the Buy and Resale Multiplier.

# OUTDOOR LIGHT LEVEL SENSOR

Accessories for HVAC/R

ANOTHER ORIGINAL

- 0 to 2,000 Lux level range
- Extremely sensitive, even in dim lighting (<108 lux)
- Rugged and watertight enclosure

The BAPI Outdoor Light Level Sensor conserves energy by allowing lights to be shut off when the ambient light level exceeds a specified level. The sensor can also help ensure safety by allowing lights to be turned on when the ambient light falls below a specified level.

The unit comes in a rugged and watertight UV-inhibited polycarbonate enclosure with an IP66 rating. The light level range measures lux with a 0 to 10V output.



## SPECIFICATIONS

### POWER SUPPLY:

- 10 to 35 VDC, 22mA max (for 0 to 5 VDC or 4 to 20 mA Outputs)
- 15 to 35 VDC, 6 mA max (for 0 to 10 VDC Output)
- 12 to 27 VAC, 0.53 VA max (for 0 to 5 VDC Output)
- 15 to 27 VAC, 0.14 VA max (for 0 to 10 VDC Output)

### OUTPUTS:

0 to 10 V

### ACCURACY:

10 Lux  $\pm$ 10% of reading

### ENVIRONMENTAL OPERATING RANGE:

Temperature: -40 to 85°C  
Humidity: 0 to 100% RH, non-condensing

### ENCLOSURE MATERIAL:

UV-Inhibited polycarbonate

### ENCLOSURE RATING:

IP66

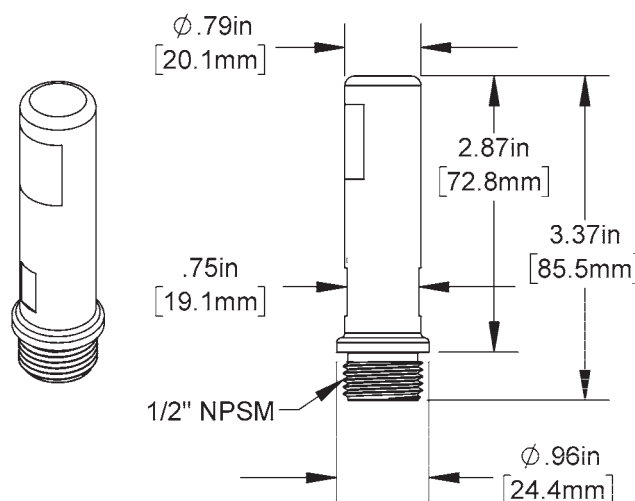
### ALSO AVAILABLE:

## Sealant Filled Connectors

BAPI's Sealant Filled Connectors (SFC) contain a moisture-excluding sealant which encapsulates the electrical connection protecting it from moisture and oxidation.



See page 68 to learn more.



## ORDERING

PART NUMBER:	DESCRIPTION:	PRICE:
BA/LLV-10-LX[0 TO 2000]	Light Level Sensor with 0-10V output, 0 to 2,000 Lux Range	€ 23705

ACCESSORIES

# BAPI-GUARD

## Accessories for HVAC/R

- Prevents tampering, damage and unauthorized adjustment
- Exceptional airflow for proper thermostat operation
- Low profile design with two sizes to fit most thermostats
- Made from thick and durable polycarbonate

The BAPI-Guard prevents tampering, physical damage and unauthorized adjustment of thermostats. The attractive design is available in two sizes to fit most thermostats. It is made of thick, durable polycarbonate and features exceptional airflow, key lock protection, horizontal or vertical mounting and easy installation with hardware included.



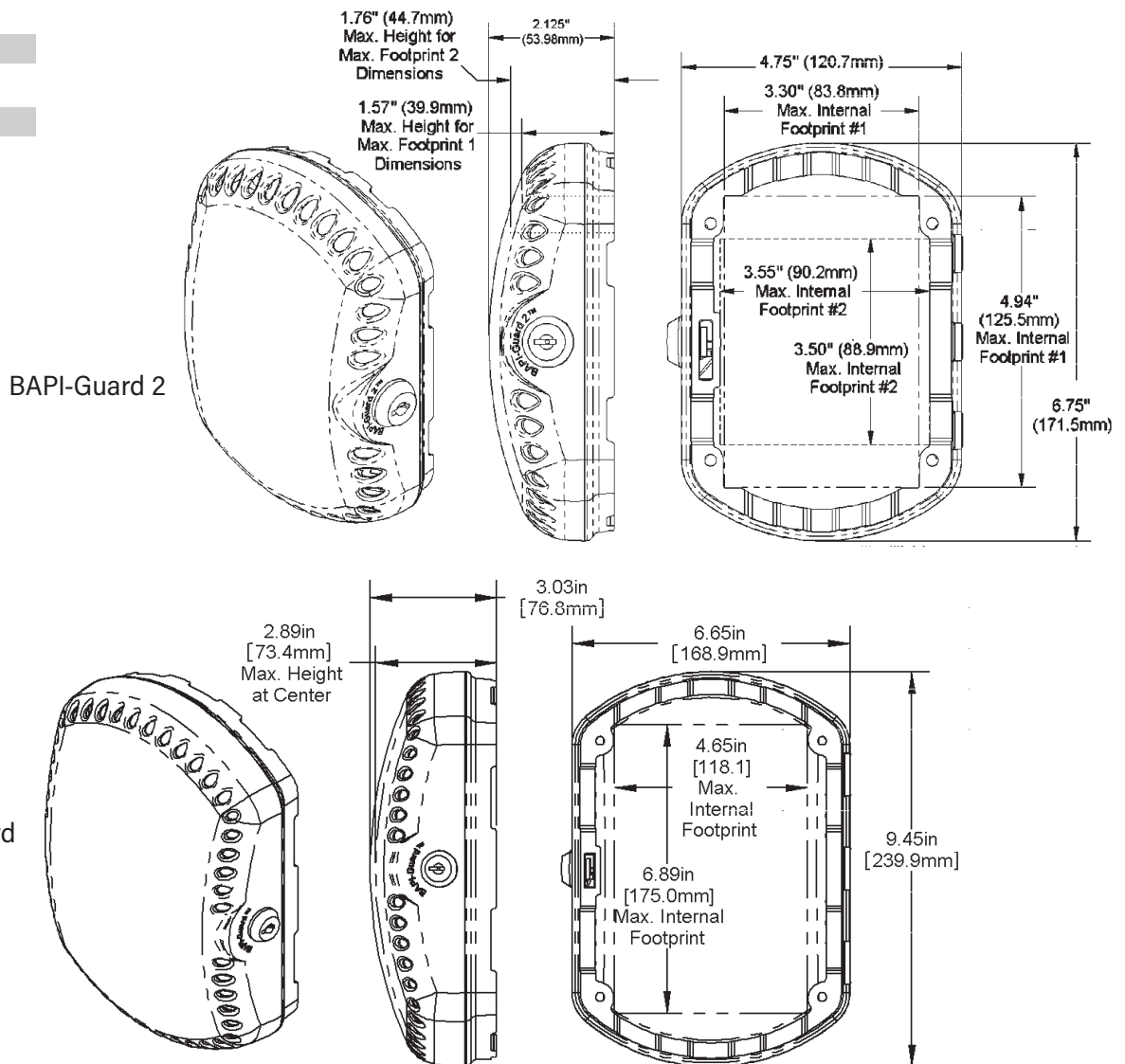
## SPECIFICATIONS

### MATERIAL:

Polycarbonate

### MATERIAL RATING:

UL 94 V-0



## ORDERING

PART NUMBER:	DESCRIPTION:	PRICE:
BA/BG	Large BAPI-Guard Thermostat Protector, Key Lock Protected, Exceptional Airflow, Durable, Horizontal or Vertical Mounting	€ 38.80
BA/BG2	Small BAPI-Guard Thermostat Protector, Key Lock Protected, Exceptional Airflow, Durable, Horizontal or Vertical Mounting	€ 30.15

# WEATHER SHADE

## Accessories for HVAC/R

- Improves accuracy by blocking solar heat gain
- Simple and sturdy mounting method
- UV-stabilized plastic prevents yellowing
- Protects the sensor filter to extend filter life

External temperature, humidity and air quality sensors can be affected by solar heat gain. The BAPI Weather Shade effectively blocks solar heat gain, improving the accuracy of the sensor.

The Weather Shade is constructed of UV-stabilized plastic to prevent yellowing. The material also has a high reflectivity rating (87%) and low emissivity rating (0.90) to minimize the radiant heat created from solar gain. Besides blocking solar heat gain, the shade also protects the probe filter from precipitation and grit, extending the life of the filter.

ANOTHER ORIGINAL



Weather Shade mounted on a BAPI-Box 2 Sensor

## SPECIFICATIONS

### SHADE MATERIAL:

UV-stabilized UL94 V-0 polycarbonate

### SHADE MATERIAL RATINGS:

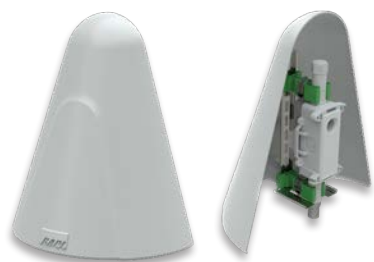
Reflectivity: 87%

Emissivity: 0.90

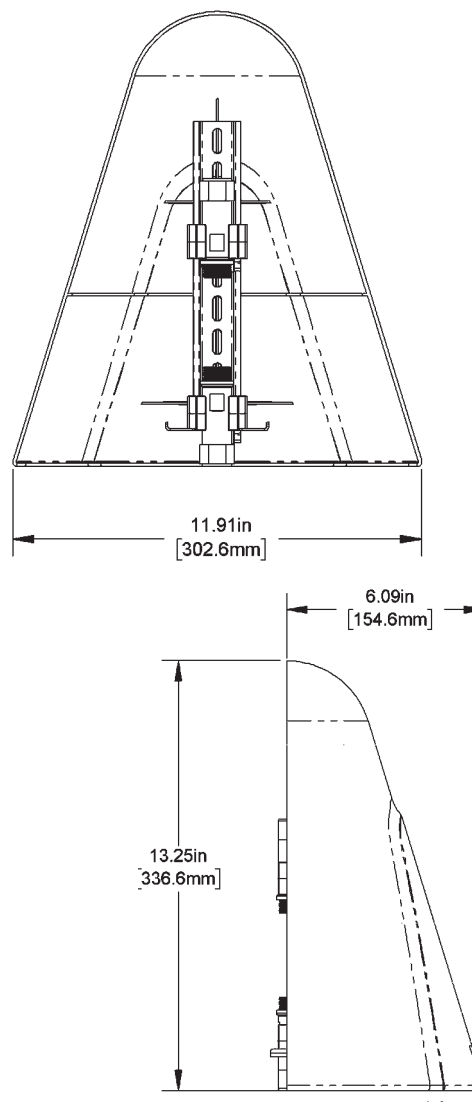
### APPLICATION NOTE:

## MINIMIZING SOLAR HEAT GAIN

Learn how you can minimize solar heat gain on outdoor temperature sensors using BAPI's Weather Shade.



Visit [www.bapihvac.com/application\\_note](http://www.bapihvac.com/application_note) to learn more.



ACCESSORIES

## ORDERING

PART NUMBER:	DESCRIPTION:	PRICE:
BA/WSK	Weather Shade Improves the Accuracy of BAPI Outside Air Sensors by Blocking Radiant Heat	€ 129.30

# ADAPTOR PLATES

## Accessories

BAPI Adaptor Plates are designed to cover wall imperfections when installing wall sensors or thermostats. They are made in four different sizes to match the sensor. The Adaptor Plates can be painted or wall papered in place if architecturally required.

## SPECIFICATIONS

**MATERIAL:**

ABS Plastic, Flame-retardant, UL94 V-0

**APPLICATION:**

Horizontal or Vertical

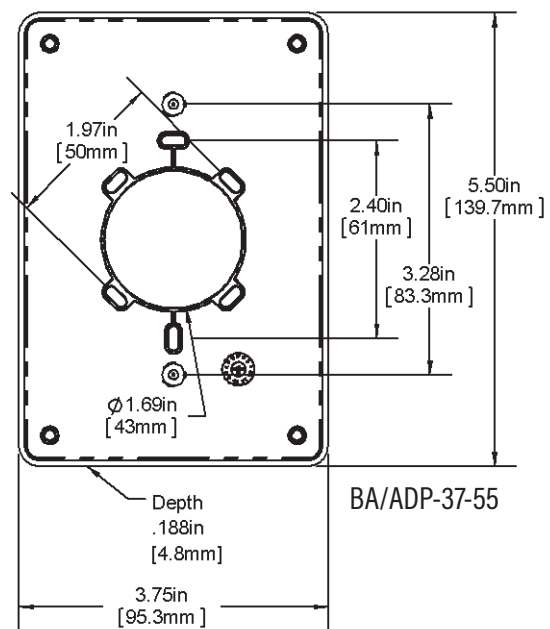
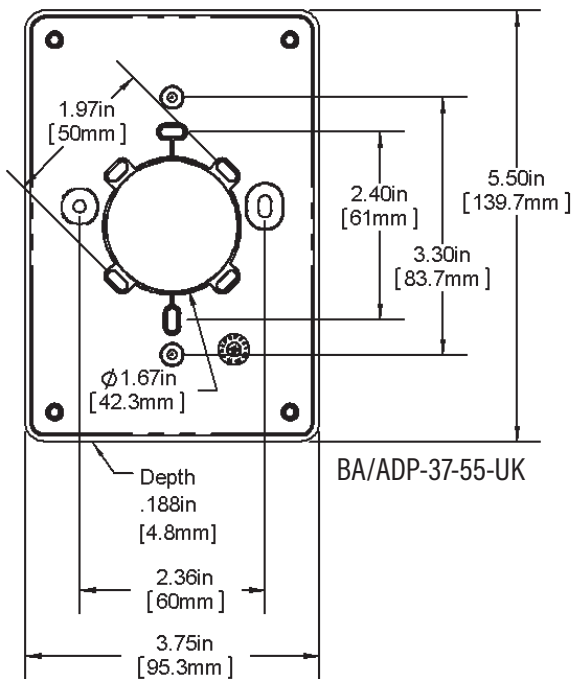
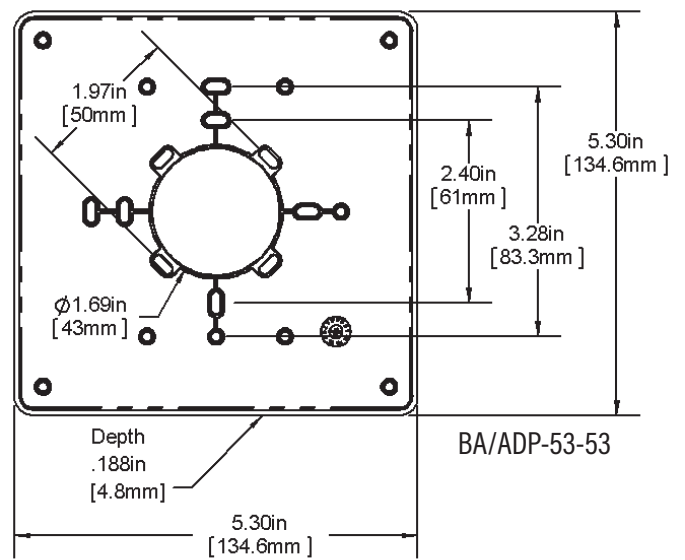
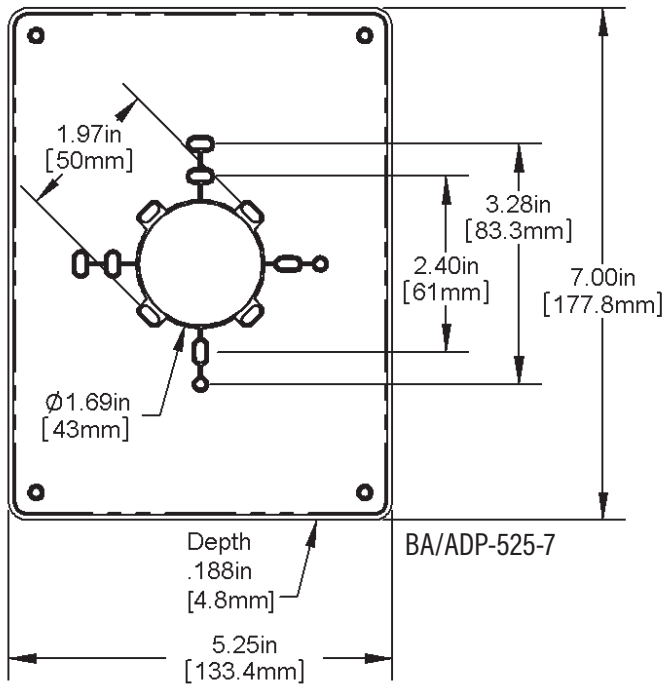
**MOUNTING:**

Universal backplate (screws provided)

**COLOR MATCH:**

BW, Bright White: BAPI-Stat "Quantum" and "Quantum Prime" Room Units (Approx. Pantone Bright White) also Delta and BAPI-Stat 4 Units purchased after 2020





## ORDERING

PART NUMBER:	DESCRIPTION:	PRICE:
BA/ADP-525-7-BW	Adaptor Plate 133 x 178mm Bright White	€ 15.50
BA/ADP-53-53-BW	Adaptor Plate 135 x 135mm Bright White	€ 15.50
BA/ADP-37-55-BW	Adaptor Plate 95 x 140mm Bright White	€ 15.50
BA/ADP-37-55-BW-UK	Adaptor Plate Europe 95 x 140mm with 60mm Spaced Screw Holes Bright White	€ 15.50

# FLEXIBLE PROBE BRACKET

## Accessories

The Flexible Probe Bracket (FPB) is used to mount averaging sensors, low limit thermostats, or liquid filled thermostats in duct applications for probe diameters from 3, 6.5 and 9.5mm.

The bracket is used to reverse the direction of the flexible probe with a smooth arc to eliminate the risk of kinking the sensor and damaging the probe.



## ORDERING

PART NUMBER:	DESCRIPTION:	PRICE:
BA/FPB-50	Flexible Probe Bracket for Mounting Averaging Sensors Quickly, Eliminates Risk of Damaging the Probe, 50 Pack	€ 156.90

**NOTE:** Grey shaded items follow the Buy and Resale Multiplier.

# BAPI-Box Crossover (BBX) with Wiring Gland

## Termination Box

The BAPI-Box Crossover enclosure features a hinged cover with thumb latch for easy termination. Includes wiring gland.



## ORDERING

PART NUMBER:	DESCRIPTION:	PRICE:
BA/BBX-RP-LTF	BAPI-Box Crossover Enclosure with Wiring Gland for Remote Probes and Concave Probes	€ 8.60

# SEALANT FILLED CONNECTORS

## Accessories

BAPI's Sealant Filled Connectors (SFC) contain a moisture-excluding sealant which encapsulates the electrical connection protecting it from moisture and oxidation. This encapsulation also reduces the potential for fire, electrocution and flashover.

The SFC3000 accepts two wires of 19 to 26 AWG, and they are simple to use. To terminate the two wires, crimp down on the top with a set of pliers. It has a voltage rating of 50 volts with an operating temperature of -40 to 70°C, and it is compliant to RoHS 2011/65/EU.



## ORDERING

PART NUMBER:	DESCRIPTION:	PRICE:
BA/SFC3000-100	Crimp-On Style Sealant Filled Connectors, 19-26 AWG, 100 pcs	€ 17.25

**NOTE:** Grey shaded items follow the Buy and Resale Multiplier.

# WIRING GLAND

## Accessories

Wiring Glands are available for the open port in the BAPI-Box Crossover Enclosure. Includes the locknut.



## ORDERING

PART NUMBER:	DESCRIPTION:	PRICE:
BA/LTF-100	Wiring Gland, 100pcs	€ 134.70

# RUBBER GROMMET

## Accessories

Rubber Grommets are available for the open port in the BAPI-Box Crossover as well as the non-threaded ports in the BAPI-Box and BAPI-Box 2. The plugs will also work in panels with a metal thickness of 3mm or smaller.

The grommets are made of TPE (Thermoplastic Elastomer) and feature a pierceable center membrane for easy cable insertion. When used with the proper diameter cable, the plugs form an excellent cable seal after piercing.



## ORDERING

PART NUMBER:	DESCRIPTION:	PRICE:
BA/PKP-100	Pierceable Knockout Plugs for Enclosure Ports, 100pcs	€ 47.40

*NOTE: Grey shaded items follow the Buy and Resale Multiplier.*

# CLEAN-CUT TOOL

## Accessories

The Clean-Cut hole cutter is designed to cut out the plastic plugs in the 13mm threaded ports of the BAPI-Box and BAPI-Box 2 polycarbonate enclosures.

A built-in stop prevents the tool from pushing through and possibly damaging sensitive electronics within the box, so there's no need to remove the items to drill the hole. The stainless steel construction keeps its edge and lasts for over 1,000 operations in both directions.



## ORDERING

PART NUMBER:	DESCRIPTION:	PRICE:
BA/CLN-CUT-50	Clean-Cut 1/2in threaded knockout cutting tool for BAPI-Box and BAPI-Box2	€ 86.20



# THERMISTOR OVERVIEW

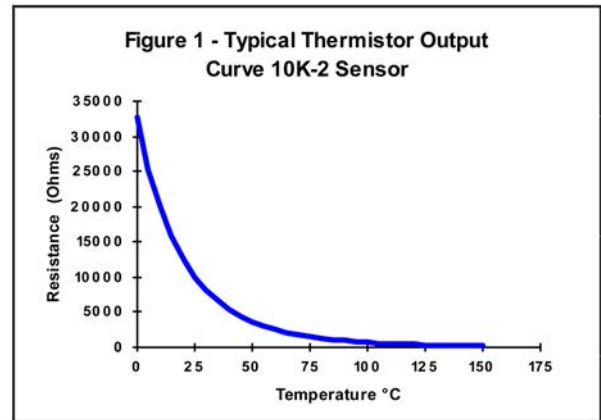
## Sensor Specifications



BAPI Thermistors are thermally sensitive resistors known for exhibiting a large change in resistance with only a small change in temperature. It is important to note that a thermistor's change in resistance is non-linear. It follows a pre-defined curve which is provided by the thermistor manufacturer. An example of a thermistor output curve can be seen in Figure 1.

Thermistors are manufactured to follow a specific curve with a high degree of accuracy. All BAPI thermistors have a standard accuracy of  $\pm 0.2^\circ\text{C}$  throughout the commercial temperature range of 0 to  $70^\circ\text{C}$ , except the 10K-4 thermistor which has a standard accuracy of  $\pm 1\%$  at  $70^\circ\text{C}$ . BAPI also has available a higher accuracy sensor for meeting tougher specs. The extra precision [XP] line has an initial accuracy of  $\pm 0.1^\circ\text{C}$  throughout the commercial temperature range of 0 to  $70^\circ\text{C}$ . Please call for availability and pricing on [XP] line thermistors. Both accuracy levels allow BAPI thermistors to be interchanged without the extra expense of offsetting the controller.

\* All passive thermistors 10K $\Omega$  and smaller are CE compliant.



## SPECIFICATIONS

### Definition of Specification Terms

#### INTERCHANGEABILITY TOLERANCE (ACCURACY):

The maximum amount that thermistors following the same curve will differ from each other.

#### DISSIPATION CONSTANT:

The power needed to raise the thermistor's body temperature by  $1^\circ\text{C}$ . At the heart of all BAPI thermistor products is a sensor with a  $2.7 \text{ mW}/^\circ\text{C}$  dissipation constant to ensure that self heating stays at an absolute minimum.

#### STABILITY (DRIFT):

The amount that the resistance characteristics of a thermistor will change. BAPI uses only the highest quality, "pre-aged" thermistors with very small drift values. Over a ten year span, BAPI thermistors will not change more than  $0.1^\circ\text{C}$ .

#### OPERATING RANGE:

The operating range shown is for the thermistor only. The mounting package may further limit the operating range and is described on each mounting type specification. The thermal time constant will also be affected based on the added mass of the stainless steel probe and moisture protection encapsulation.

#### THERMAL TIME CONSTANT:

Bare sensors are typically measured and specified in still air and are timed at the statistical 63.2% of the step temperature change. A stirred liquid test will typically result in a much faster response time and is also timed at 63.2% of the step temperature change. The time constant is always the same whatever the temperature step change may be.

### Thermistor Specifications

#### INTERCHANGEABILITY TOLERANCE (ACCURACY):

All thermistors except 10K-4  
Standard Sensor:  $\pm 0.2^\circ\text{C}$  (0 to  $70^\circ\text{C}$ )  
10K-4 thermistor  
 $\pm 1\%$  @  $25^\circ\text{C}$

#### DISSIPATION CONSTANT:

$2.7 \text{ mW}/^\circ\text{C}$

#### STABILITY (DRIFT):

Less than  $0.02^\circ\text{C}$  / year

#### THERMAL TIME CONSTANT:

5 seconds (bead in still air)  
.5 seconds (stirred liquid)

Sensor Type	Reference Resistance	Operating Range
10K-2**	10 K $\Omega$ @ $25^\circ\text{C}$	-55 to $150^\circ\text{C}$
10K-3**	10 K $\Omega$ @ $25^\circ\text{C}$	-55 to $150^\circ\text{C}$
10K-4	10 K $\Omega$ @ $25^\circ\text{C}$	-55 to $150^\circ\text{C}$

\*\*Available as an [XP] high accuracy sensor. Minimum quantities and long lead times may apply. 10K-2[XP] and 10K-3[XP] thermistors are typically stocked items

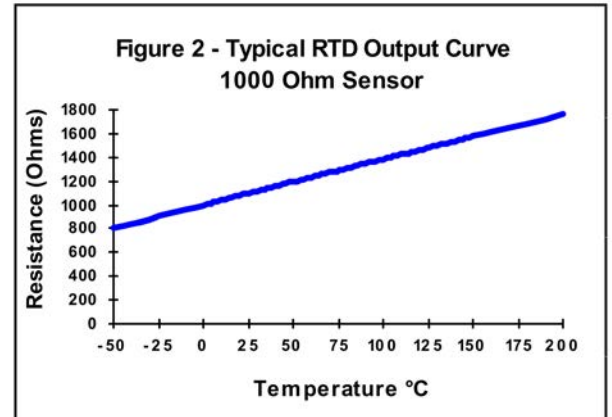
# RTD OVERVIEW

## Sensor Specifications

BAPI RTDs (Resistance Temperature Detectors) are thermally sensitive resistive elements that exhibit a small change in resistance per degree of temperature change. RTDs are especially recognised for excellent linearity throughout their temperature range with a high degree of accuracy and repeatability. An example of an RTD output curve can be seen in Figure 2.

RTDs supplied in BAPI products feature a standard interchangeability tolerance of  $\pm 0.3^{\circ}\text{C}$  measured at  $0^{\circ}\text{C}$ . Higher accuracy sensors are also available. The Class A line [A] has an interchangeability tolerance of  $\pm 0.15^{\circ}\text{C}$  measured at  $0^{\circ}\text{C}$ . Please call for availability and pricing on Class A RTDs. Whether standard or Class A, BAPI RTDs have such a high accuracy that they can be interchanged without the expense of offsetting the controller.

Most RTD sensing elements can be packaged to withstand an extremely broad temperature range ( $-200$  to  $600^{\circ}\text{C}$ ). For most purposes, the standard operating range should be sufficient, but we also have RTDs with a higher or lower operating temperature range. BAPI offers 1 k $\Omega$  Platinum RTDs with the ranges shown in the specifications below.



## SPECIFICATIONS

### RTD Specifications

#### TOLERANCE OF RESISTANCE (ACCURACY):

Single Point Standard: 0.12% at  $0^{\circ}\text{C}$   
 Averaging Standard: 0.2% at  $0^{\circ}\text{C}$

#### TOLERANCE IN $^{\circ}\text{C}$ :

Single Point Standard:  $\pm(0.3 + 0.005T)$ ; T= Temp in  $^{\circ}\text{C}$   
 Averaging Standard:  $\pm(0.5 + 0.005(T-25))$ ; T= Temp in  $^{\circ}\text{C}$

#### STABILITY (DRIFT):

0.14  $^{\circ}\text{C}$  with 6,000 continuous hours at  $400^{\circ}\text{C}$

#### SENSITIVITY:

1K $\Omega$ : 3.85 $\Omega/^{\circ}\text{C}$

#### SELF HEATING (1K RTD ONLY):

0.4 $^{\circ}\text{C}/\text{mW}$  at  $0^{\circ}\text{C}$

#### STANDARDIZATION:

DIN 43760-1980, IEC Pub 751-1983, JIS C1604-1989

Sensor Type	Reference Resistance	Temp. Coefficient	Operating Range
BA/1K*	1 k $\Omega$ @ $0^{\circ}\text{C}$	3.85 $\Omega/^{\circ}\text{C}$	-60 to $150^{\circ}\text{C}$

\*Available as an [A] high accuracy sensor.

Example: BA/1K[A]-I-2" (high accuracy immersion sensor)

#### STANDARD & EXTREME TEMP RANGES FOR THE 1K $\Omega$ PLATINUM RTD

Range	$^{\circ}\text{C}$
Standard	-60 to 150
Low Temp [1]	-200 to 0
High Temp [2]	25 to 260
Very High Temp [3]	25 to 600

### Definition of Specification Terms

#### TOLERANCE OF RESISTANCE (ACCURACY):

The maximum amount any RTD will differ from the standard resistance curve.

#### STABILITY (DRIFT):

The amount that the resistance characteristics of a RTD will change over time under certain conditions.

#### OPERATING RANGE:

The operating range shown is for the RTD sensor only. The mounting package may further limit the operating range and is described on each mounting type specification.

# HUMIDITY TRANSMITTER OVERVIEW

## Sensor Specifications

BAPI humidity transmitters provide a high accuracy of 2% RH, and outputs of 4 to 20mA, 0 to 5V or 0 to 10V humidity measurement. Duct and outside air units come with a removeable sintered stainless steel filter. On duct and outside air units, the filter may be cleaned with warm, distilled water. These units are microprocessor based and do not require any field calibration.

For all non-room configurations, BAPI humidity transmitters come standard in a robust enclosure making them suitable for locations where moisture or condensation may be a problem. The potting material used to protect the transmitters has a high thermal conductivity to eliminate circuit overheating and a low thermal expansion to minimize the stress on the circuit components.

Due to the extremely low moisture absorption properties of the epoxy, our robust transmitter will remain operational even if temporarily immersed in water. Many tests and studies have been conducted on the sensor incorporated into these humidity transmitters to assure that they provide longterm accuracy and durability. For applications requiring even higher accuracy, certified units are available which have been tested and offset against an NIST traceable reference. Please call for details or with specific requirements.

## TRANSMITTER SPECIFICATIONS

### OUTPUT RANGES:

4 to 20 mA, 0 to 5 V, or 0 to 10 V

### POWER:

10 to 35 VDC (0 to 5 VDC or 4 to 20 mA outputs)

15 to 35 VDC (0 to 10 VDC Output)

12 to 27 VAC (0 to 5 VDC Output)

15 to 27 VAC (0 to 10 VDC Output)

### POWER CONSUMPTION:

22 mA max. DC (0 to 5 VDC or 4 to 20 mA Outputs)

6 mA max. DC (0 to 10 VDC Output)

0.53 VA max. AC (0 to 5 VDC or 4 to 20 mA Outputs)

0.14 VA max. AC (0 to 10 VDC Output)

### SENSING ELEMENT:

Capacitive type humidity sensor

### OPERATING RH RANGE:

0 to 100 %RH (non-condensing)

### OPERATING TEMPERATURE RANGE:

Room: 0 to 70°C (32 to 158°F)

Duct & Outside: -20 to 70°C (-4 to 158°F)

### ACCURACY RANGE:

from 10 to 90% RH at 25°C

### RESPONSE TIME:

8 seconds in moving air for a 63% step

### DRIFT:

<0.5%RH per year

# NON-ROOM ENCLOSURES OVERVIEW

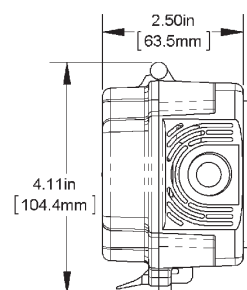
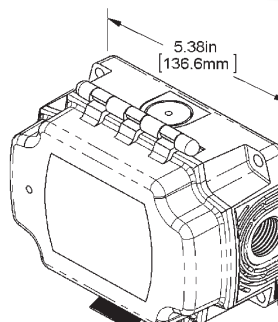
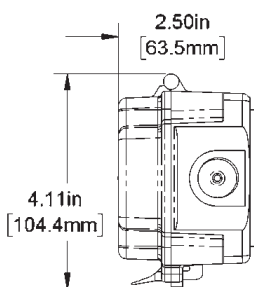
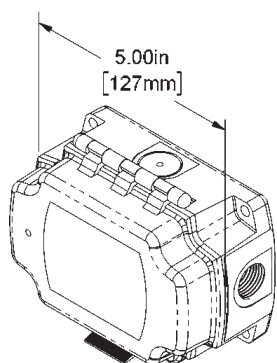
## Sensor Specifications

BAPI offers a number of designed and patented non-room enclosures including the BAPI-Box, BAPI-Box 2 and the BAPI-Box Crossover.

## BAPI-Box

### Enclosure

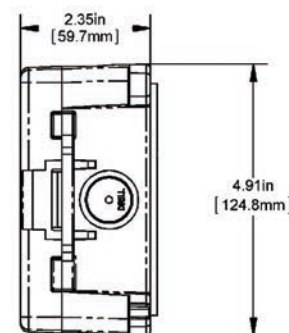
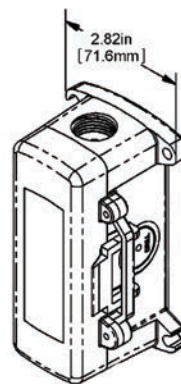
The BAPI-Box is made of durable polycarbonate and comes in a regular and ventilated version. The regular version has an IP66 rating. It has a hinged cover for easy access



## BAPI-Box 2

### Enclosure

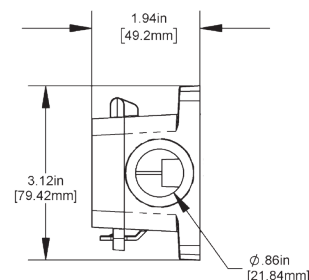
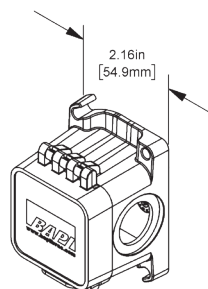
The BAPI-Box 2 is made of UV-resistant polycarbonate and has an IP66-rating. It has a hinged cover for easy access



## BAPI-Box Crossover

### Enclosure

The BAPI-Box Crossover is made of UV resistant polycarbonate and includes a wiring gland. It has a hinged cover for easy access and molded mounting feet for sturdy installation. With the wiring gland installed the enclosure has an IP44 rating.



# SENSOR CERTIFICATIONS

## Sensor Specifications

### CE Certified & RoHS Compliant

CE Certified & RoHS Compliant - BAPI holds itself to a higher standard with CE certification across models of temperature, humidity and pressure sensors. BAPI is also committed to environmentally responsible manufacturing practices and complies with the European Union's RoHS directive, which restricts the use of certain hazardous substances such as lead and mercury.



### Certificates of Calibration

BAPI is committed to providing accurate, high quality sensors. All of our sensors are calibrated using certified equipment. We provide a certificate of calibration free of charge on all of our pressure sensors and our Blü-Test wireless test instrument suite. Certificates are available for temperature, humidity and pressure products. For more information, please contact us.

### Application Notes

In addition to the Application Notes mentioned in this catalog, BAPI also has many Application Notes available online at our website at [www.bapihvac.com/resource-library](http://www.bapihvac.com/resource-library). A sample of some of the other topics covered are:

#### Ground Loops

Understanding Grounds Loops and Avoiding Ground Loops

#### Current Loops

4 to 20 mA Configurations

Understanding 4 to 20 mA Current Loops

Designing 4 to 20 mA Current Loops

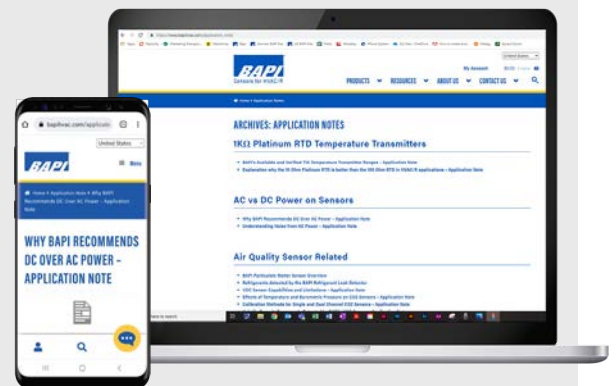
#### Other Application Notes

Understanding Full Wave and Half Wave Power Supplies

Determining Air Flow in Cubic Feet per Minute (CFM)

Understanding Noise from AC Power

Thermobuffer Temperature Sensing



## Contact Us

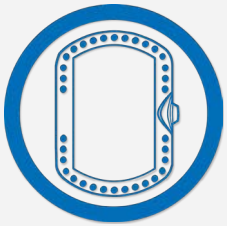
### BUILDING AUTOMATION PRODUCTS INC.

750 North Royal Avenue  
Gays Mills, WI 54631

[www.bapihvac.com](http://www.bapihvac.com)

**BAPI United States:**  
+1 (608) 735 4800  
[sales@bapihvac.com](mailto:sales@bapihvac.com)

**BAPI Europe:**  
+49 173 4222248  
[EUsales@bapisensors.com](mailto:EUsales@bapisensors.com)



**SCAN ME!**  
Download the Full Catalog

**...it's in the details**



Building Automation Products, Inc.  
phone +1-608-735-4800  
email [sales@bapihvac.com](mailto:sales@bapihvac.com)  
website [www.bapihvac.com](http://www.bapihvac.com)

REV.25.1.0